

IMPORTANT SAFETY INSTRUCTIONS**READ THESE INSTRUCTIONS BEFORE
INSTALLING THE PRODUCT**

The product must be installed in accordance with the instructions provided. Failure to do so could result in personal injury, damage to your vessel and/or product failure.

Scanstrut recommends a professional builder/installer to install the product. No liability is accepted for damage and/or injury caused by incorrect installation.

**WARNING**

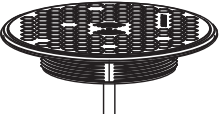


- This product is designed to be fitted to a 12/24V DC power source only.
- This product may contain high voltages. Do not tamper with the product.
- The power supply must be switched off before installing the product.
- An appropriately selected fuse or circuit breaker must be used in line between the battery and the product
- This product is NOT approved for use in hazardous/flammable atmospheres. Do NOT install in a hazardous/flammable atmosphere (Such as engine room or near fuel tanks).
- To ensure proper heat dissipation of the product, ensure it is being fitted with adequate space for proper ventilation.

**CAUTION**

- The product has been designed specifically for the charging of Qi compatible devices.
- The cable must be adequately retained.
- This product contains no user serviceable components. Do NOT attempt to repair or alter the product in any way.
- The high friction top surface does not ensure the device will not slip during extreme operating environments such as high acceleration and deceleration.
- If a phone case which is thicker than 3mm is used it may cause either the device to not charge at all or the product to temporarily shut down, this is a safety feature which protects the electronics from over-heating.
- When used in a high ambient temperature the product may temporarily shut down, this is a safety feature which protects the electronics from over-heating. This safety feature may also be seen on the phone where it will stop accepting charge.
- The IP rating is only valid if installed onto specified surfaces and closely following the installation instructions.


ROKK Wireless Charge Bezel (SC-CW-03)

Parts List




	Charger	x1
	Bezel & gasket	x1
	No6 x 1/2" self tapping screw	x3

Technical information


Input voltage range :	5-32V (12/24V system)
Input current range:	0.5-1.5A
Output power:	5W (5V 1A)
Standby current draw:	< 0.03W
Certifications:	Qi, CE, FCC, ROHS
Waterproof rating:	IPX6 front and back

	Alcohol Wipe	x1
---	--------------	----


Tools Required

	10mm (3/8") Drill
	Power drill
	1.6mm (1/16") Drill

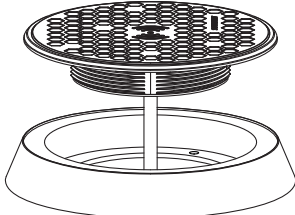
1 Warning Switch Off Power Supply

 Ensure electrical power is turned **off** before installing this product. Do not connect or disconnect with power on.

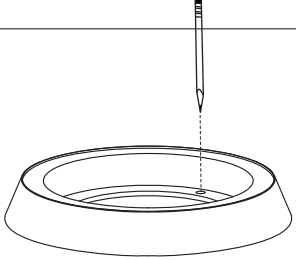
Drill hole 10mm (25/64").




2 Place charger and Bezel over hole to mark screw centres. ****Caution**** Do not remove self adhesive backing from tape, dry fit only.



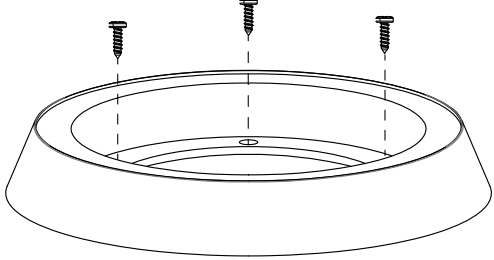
3 Remove and mark hole centres in bezel.



4 Drill 3x 1.6mm (1/16") pilot holes.



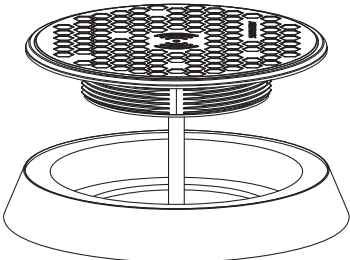
5 Screw Bezel to surface.




6 Remove self adhesive backing from charger.



7 Install charger into bezel.



8 Warning Switch Off Power Supply

 Ensure electrical power is turned **off** before installing this product. Do not connect or disconnect with power on.

Connect wires to 12-24V supply, ensuring a waterproof connection. Fuze appropriately according to input voltage and current.

