



OWNER'S MANUAL

# Micro Hi-Fi Audio

Please read this manual carefully before operating your set and retain it for future reference.

MODEL

CM1560 (CM1560, CMS1560F)



[www.lg.com](http://www.lg.com)

Copyright © 2017 LG Electronics. All Rights Reserved



# Safety Information



**CAUTION**  
RISK OF ELECTRIC SHOCK  
DO NOT OPEN



**CAUTION:** TO REDUCE THE RISK OF ELECTRIC SHOCK DO NOT REMOVE COVER (OR BACK) NO USER-SERVICEABLE PARTS INSIDE REFER SERVICING TO QUALIFIED SERVICE PERSONNEL.

This lightning flash with arrowhead symbol within an equilateral triangle is intended to alert the user to the presence of uninsulated dangerous voltage within the product's enclosure that may be of sufficient magnitude to constitute a risk of electric shock to persons.



The exclamation point within an equilateral triangle is intended to alert the user to the presence of important operating and maintenance (servicing) instructions in the literature accompanying the product.



**WARNING:** TO PREVENT FIRE OR ELECTRIC SHOCK HAZARD, DO NOT EXPOSE THIS PRODUCT TO RAIN OR MOISTURE.

**WARNING:** Do not install this equipment in a confined space such as a book case or similar unit.

**CAUTION:** Do not block any ventilation openings. Install in accordance with the manufacturer's instructions.

Slots and openings in the cabinet are provided for ventilation and to ensure reliable operation of the product and to protect it from overheating. The openings shall be never be blocked by placing the product on a bed, sofa, rug or other similar surface. This product shall not be placed in a built-in installation such as a bookcase or rack unless proper ventilation is provided or the manufacturer's instruction has been adhered to.



**CAUTION:** This product employs a Laser System. To ensure proper use of this product, please read this owner's manual carefully and retain it for future reference. Shall the unit require maintenance, contact an authorized service center.

Use of controls, adjustments or the performance of procedures other than those specified herein may result in hazardous radiation exposure.

To prevent direct exposure to laser beam, do not try to open the enclosure.

## CAUTION concerning the Power cord

Most appliances recommend they be placed upon a dedicated circuit;

That is, a single outlet circuit which powers only that appliance and has no additional outlets or branch circuits. Check the specification page of this owner's manual to be certain. Do not overload wall outlets. Overloaded wall outlets, loose or damaged wall outlets, extension cords, frayed power cords, or damaged or cracked wire insulation are dangerous. Any of these conditions could result in electric shock or fire. Periodically examine the cord of your appliance, and if its appearance indicates damage or deterioration, unplug it, discontinue use of the appliance, and have the cord replaced with an exact replacement part by an authorized service center. Protect the power cord from physical or mechanical abuse, such as being twisted, kinked, pinched, closed in a door, or walked upon. Pay particular attention to plugs, wall outlets, and the point where the cord exits the appliance. The Power Plug is the disconnecting device. In case of an emergency, the Power Plug must remain readily accessible.

This device is equipped with a portable battery or accumulator.

**Safety way to remove the battery or the battery from the equipment:**

Remove the old battery or battery pack, follow the steps in reverse order than the assembly. To prevent contamination of the environment and bring on possible threat to human and animal health, the old battery or the battery put it in the appropriate container at designated collection points. Do not dispose of batteries or battery together with other waste. It is recommended that you use local, free reimbursement systems batteries and accumulators. The battery shall not be exposed to excessive heat such as sunshine, fire or the like.

**CAUTION:** The apparatus should not be exposed to water (dripping or splashing) and no objects filled with liquids, such as vases, should be placed on the apparatus.

**CAUTION:** Do not use high voltage products around this product. (ex. Electrical swatter) This product may malfunction due to electrical shock.

**CAUTION:** No naked flame sources, such as lighted candles, should be placed on the apparatus.

## Symbols

~	Refers to alternating current(AC).
≡	Refers to direct current(DC).
⊞	Refers to class II equipment.
⏻	Refers to stand-by.
I	Refers to "ON" (power).
⚡	Refers to dangerous voltage.

# Table of Contents

## 1 Getting Started

---

- 3 Safety Information
- 8 Unique Features
- 8 Playable file Requirement
  - 8 – Music file requirement
  - 9 – Compatible USB Devices
  - 9 – USB device requirement
- 10 Remote control
- 12 Front Panel
- 13 Rear Panel

## 2 Connecting

---

- 14 Connecting to speakers
  - 14 – Connecting the speakers to the unit
- 15 Optional Equipment Connection
  - 15 – USB Connection
  - 15 – PORT.IN Connection

## 3 Operating

---

- 16 Basic Operations
  - 16 – CD/USB Operations
- 17 Other Operations
  - 17 – Programmed Playback
  - 17 – Deleting Programmed list
  - 18 – Selecting a folder
  - 18 – Displaying file information (ID3 TAG)
  - 18 – Turn off the sound temporarily
  - 19 – Sleep Timer Setting
  - 19 – Dimmer
  - 19 – DEMO
  - 19 – Auto power down
  - 20 – AUTO POWER On
  - 20 – Auto function change
- 21 Sound adjustment
- 22 Using a BLUETOOTH® wireless technology
  - 22 – Listening to music stored on the BLUETOOTH devices
- 24 Radio Operations
  - 24 – Listening to the radio
  - 24 – Improving poor FM reception
  - 24 – Presetting the Radio Stations
  - 24 – Deleting all the saved stations
  - 24 – Seeing information about a Radio station

---

## 4 Troubleshooting

---

25 Troubleshooting

## 5 Appendix

---

26 Main unit  
27 Speakers  
28 Maintenance  
28 – Handling the Unit  
28 – Notes on Discs  
29 Trademarks and Licenses

1

2

3

4

5

## Unique Features

1

Getting Started

### BLUETOOTH

Listens to music stored on your **Bluetooth** device.

## Playable file Requirement

### Music file requirement

MP3/ WMA file compatibility with this unit is limited as follows.

- Sampling Frequency : 8 - 48 kHz (MP3), 8 - 48 kHz (WMA)
- Bit rate : 32 - 384 kbps (MP3), 32 - 384 kbps (WMA)
- Maximum files : Under 999
- File extensions : ".mp3"/ ".wma"
- CD-ROM file format : ISO 9660/JOLIET
- We recommend that you use "Easy-CD Creator", which creates an ISO 9660 file system.

The DTS is not supported. In case of DTS audio format, audio is not output.

You have to set the disc format option to [Mastered] in order to make the discs compatible with the LG players when formatting rewritable discs. When setting the option to Live File System, you cannot use it on LG players.

(Mastered/Live File System : Disc format system for Windows Vista)



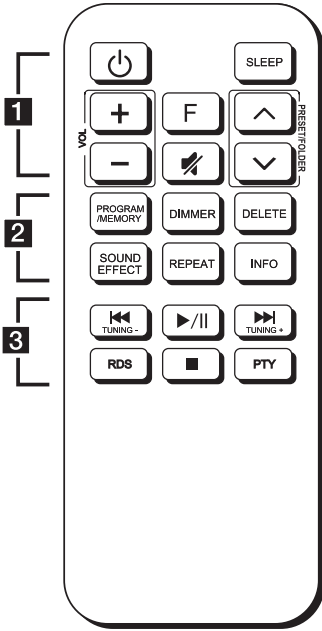
## Compatible USB Devices

- MP3 Player : Flash type MP3 player.
- USB Flash Drive :  
Devices that support USB2.0 or USB1.1.
- The USB function of this unit does not support all USB devices.

## USB device requirement

- Devices which require additional program installation when you have connected it to a computer, are not supported.
- Do not extract the USB device while in operation.
- For a large capacity USB, it may take a few minute to be searched.
- To prevent data loss, back up all data.
- If you use a USB extension cable or USB hub, the USB device is not recognized.
- Using NTFS file system is not supported.  
(Only FAT(16/32) file system is supported.)
- This unit recognizes up to 1,000 files.
- External HDD, card readers, locked devices, or hard type USB devices are not supported.
- USB port of the unit cannot be connected to the PC. The unit cannot be used as a storage device.
- Some USB may not work with this unit.

# Remote control



.....**1**.....

⏻ (Standby) : Switches the unit ON or OFF.

**SLEEP** : Sets the system to turn off automatically at a specified time.

**VOL (Volume) +/-** : Adjusts speaker volume.

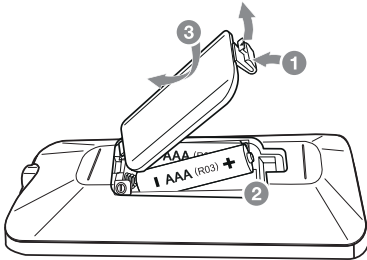
**F (Function)** : Selects the function and input source.

**🔇 (Mute)** : Mutes the sound.

**PRESET/FOLDER  $\wedge/\vee$**  :

- Searches for a folder of MP3/WMA files. When a CD/USB containing MP3/WMA files in several folders is being played, press **PRESET/FOLDER  $\wedge/\vee$**  to select the folder you want to play.
- Chooses a preset number for a radio station.

## Replacement of battery



Remove the battery cover on the rear of the remote control, and insert the batteries with **+** and **-** matched correctly.

2

**PROGRAM/MEMORY :**

- Stores radio stations.
- Creates a programmed list you want to listen to.

**DIMMER :** The display windows dims over few steps.**DELETE :** Deletes a song on the programmed list.**SOUND EFFECT :** Chooses sound impressions.**REPEAT :** Plays your tracks/files repeatedly or randomly.**INFO :** Sees information about your music. An MP3 file often comes with ID3 tag. The tag gives the Title, Artist, Album or Time information.

3

**TUNING -/+ :** Selects the radio stations.**◀◀/▶▶ (Skip/Search) :**

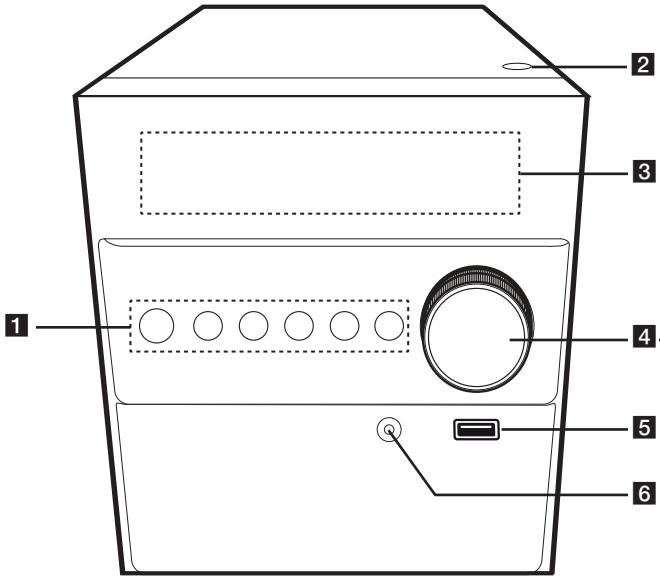
- Skips fast backward or forward.
- Searches for a section within a track/file.

**▶/|| (Play/Pause) :**

- Starts or pauses playback.
- Selects STEREO/MONO.

**RDS :** RDS (Radio Data System).**■ (Stop) :** Stops playback.**PTY :** Searches radio stations by radio type.

# Front Panel



## 1 (Standby/On)

Switches the unit ON or OFF.

## F (Function)

Selects the function or input source.

## (Skip/Search)

- Searches backward or forward.
- Skips to the previous/next track/file.

## TUNING - / +

Selects the radio stations.

## (Play/Pause)

- Starts or pauses playback.
- Selects Stereo/Mono.

## (Stop)

Stops playback.

## 2 (Open)

Uses it when inserting or removing a CD.

## 3 Display window

## 4 Volume Knob

Adjusts volume of speaker.

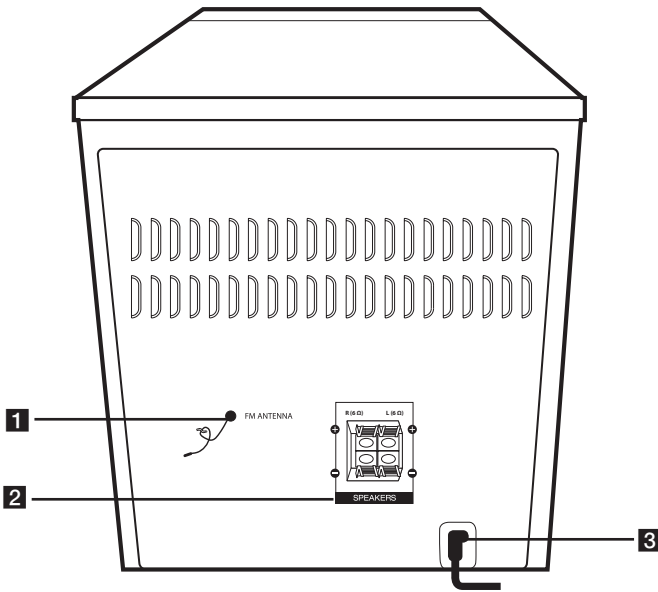
## 5 USB

Plays the audio files by connecting the USB device.

## 6 PORT. (Portable) IN

Connects to a Portable device.

# Rear Panel



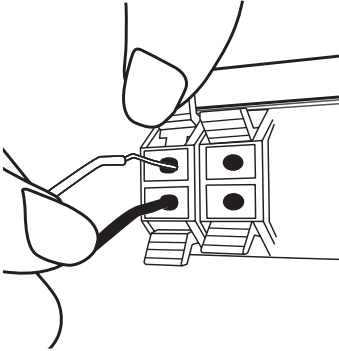
- 1** FM ANTENNA
- 2** SPEAKERS (L/R) terminals
- 3** POWER IN

## Connecting to speakers

### Connecting the speakers to the unit

To connect the cable to the unit, press each plastic finger pad to open the connection terminals on the unit. Insert the wire and release the finger pad.

Connect the black of each wire to the terminals marked - (minus) and the other end to the terminals marked + (plus).



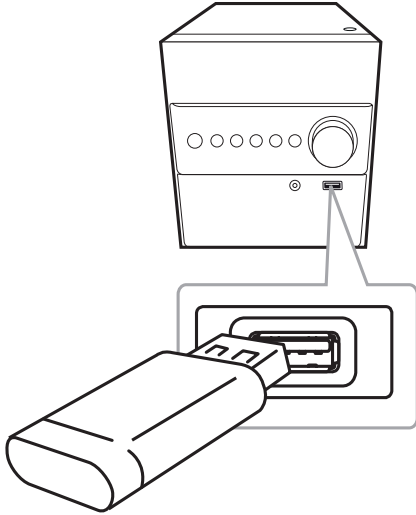
#### Caution

- Make sure children do not put their hands or any objects into the \*speaker duct.  
\* Speaker duct : A hole for plentiful bass sound on speaker cabinet (enclosure)
- Use the speaker supplied with this unit only. Using any other speaker may cause malfunction.
- The speakers contain magnet parts, so color irregularity may occur on the TV screen or PC monitor screen. Please use the speakers far away from either TV screen or PC monitor.

## Optional Equipment Connection

### USB Connection

Connect a USB device to the USB ports on the unit.



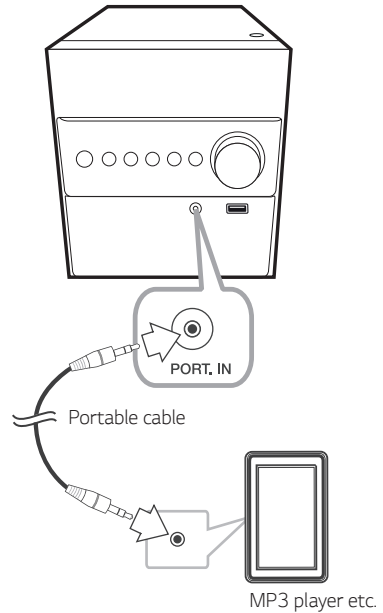
#### ! Note

Removing the USB device from the unit.

1. Choose a different function/mode or press **■** on the remote control or **□** on the unit twice in a row.
2. Remove the USB device from the unit.

### PORT. IN Connection

Connect an output (earphone or line out) of portable device (MP3 or PMP etc) to the **PORT. IN** connector.



### Listening to music from your portable player or external device

The unit can be used to play the music from many types of portable player or external device.

1. Connect the portable player to the PORT.IN connector of the unit.
2. Turn the power on by pressing **⏻** on the remote control or **⏻/I** on the unit.
3. Press **F** on the remote control or on the unit to select PORTABLE function.
4. Turn on the portable player or external device and start it playing.

# Basic Operations

## CD/USB Operations

1. Insert the disc by pressing **△** on the unit or connect the USB device to the USB port.
2. Select CD or USB function by pressing **F** on the remote control or on the unit.

To	Do this
Stop	Press <b>■</b> on the remote control or <b>□</b> on the unit.
Playback	Press <b>▶/  </b> on the remote control or <b>&gt;  </b> on the unit.
Pause	Press <b>▶/  </b> on the remote control or <b>&gt;  </b> on the unit.
Searching for a section within a track/file	Press and hold <b>⏮/⏭</b> on the remote control or <b>⏮/⏭</b> on the unit during playback and release it at the point you want to listen to.
Skipping to the next/previous track/file	<p>- In stop status, Press <b>⏮/⏭</b> on the remote control or <b>⏮/⏭</b> on the unit to go to the next/previous track/file.</p> <p>- During playback, press <b>▶▶</b> on the remote control or <b>&gt;&gt; </b> on the unit to go to the next track/file. Playing less than 2 seconds, press <b>⏮</b> on the remote control or <b>⏮</b> on the unit to go to the previous track/file. Playing after 3 seconds, press <b>⏮</b> on the remote control or <b>⏮</b> on the unit to go to the beginning of the track/file.</p>
Playing repeatedly or randomly	Press <b>REPEAT</b> on the remote control repeatedly. Refer to the note for details about the display change.

### ! Note

- The display changes in the following order.

USB	MP3/WMA CD	AUDIO CD
RPT 1	RPT 1	RPT 1
RPT*DIR	RPT DIR	-
RPT ALL	RPT ALL	RPT ALL
RANDOM	RANDOM	RANDOM
OFF	OFF	OFF

\*DIR : Directory

- When you play programmed list, only RPT 1 and RPT ALL are available.



## Other Operations

### Programmed Playback

The program function enables you to store your favorite files from any disc or USB device.

A program can contain 20 tracks/files.

1. Press **PROGRAM/MEMORY** on the remote control in stop status.
2. Press **◀◀/▶▶** on the remote control or **◀◀/▶▶** on the unit to select a track/file.
3. Press **PROGRAM/MEMORY** on the remote control to save and select a next track/file.
4. Repeat steps 2 - 3 to store other tracks/files.
5. Press **▶/||** on the remote control or **▶||** on the unit to play the programmed music tracks/files.
6. To clear your selection, press **■** on the remote control or **□** on the unit.

#### ! Note

When making or modifying the programmed list, REPEAT mode is off.

### Deleting Programmed list

Deleting function only works in the edit mode.

1. Press **PROGRAM/MEMORY** on the remote control in stop status.
2. Select a song by pressing **PROGRAM/MEMORY** or **PRESET/FOLDER ▲/▼** on the remote control repeatedly.
3. Press **DELETE** on the remote control while a song is selected.

#### ! Note

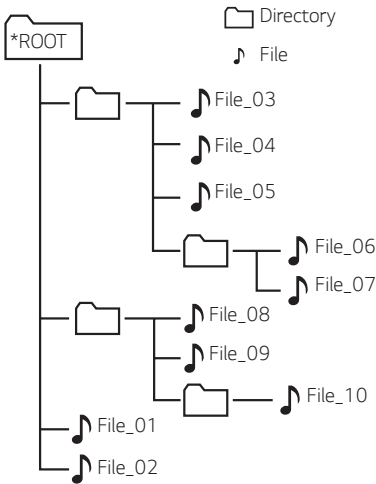
- Programmed list is cleared in the case below.
  - Removing the disc or the USB device.
  - Unplugging the power cord.
- Program is switched off in the case below.
  - Changing to a different function.
  - Turning off and on the unit.

## Selecting a folder

1. Press **PRESET/FOLDER**  $\wedge/\vee$  on the remote control repeatedly until a desired folder appears.
2. Press **▶/||** on the remote control or **>||** on the unit to play it. The first file of folder will be played. (During playback, if you selecting a folder you want, this step is not necessary.)

### ! Note

- USB/CD Folders/Files are recognized as below



- Files and folders will be presented in order recorded and may be presented differently according to the record circumstances.
- \*ROOT : the first screen you can see when a computer recognize the USB is "ROOT"
- Folders will be presented as the following order,  
 FAT(USB) : FILE\_01 → FILE\_02 → FILE\_03  
 → FILE\_04 → FILE\_05 → FILE\_06 →  
 FILE\_07 → FILE\_08 → FILE\_09 → FILE\_10  
 CD : FILE\_01 → FILE\_02 → FILE\_03 →  
 FILE\_04 → FILE\_05 → FILE\_08 → FILE\_09  
 → FILE\_06 → FILE\_07 → FILE\_10

## Displaying file information (ID3 TAG)

While playing an MP3 file containing file information, you can display the information by pressing **INFO** on the remote control.

## Turn off the sound temporarily

Press  $\text{M}$  on the remote control to mute your sound. You can mute your unit, for example, to answer the telephone, the "M" will blink in the display window. To cancel it, press  $\text{M}$  again or change the volume level.

## Sleep Timer Setting

Press **SLEEP** repeatedly to select delay time between 10 and 180 minutes. After the delay time, the unit will be turned off.

To cancel the sleep function, press **SLEEP** repeatedly until "SLEEP 10" appears, and then press **SLEEP** once again.

### Note

- You can check the remaining time before the unit is turned off.
- Press **SLEEP**. The remaining time appears in the display window.

## Dimmer

Press **DIMMER** once.

The display windows dims over few steps.

To cancel it, press **DIMMER** again.

## DEMO

In the power on state, adjust the volume level of the main unit to minimum and then press and hold **F** on the unit for about 7 seconds.

To cancel the DEMO function, press and hold the **F** on the unit for about 7 seconds.

## Auto power down

This unit will turn itself off to save electricity in the case were the main unit is not connected to an external device and is not used for 20 minutes.

The unit will also turn itself off after six hours if the main unit has been connected to another device using the analog inputs.

## How to disconnect the wireless network connection or the wireless device

Turn off the unit by pressing the power button for more than 5 seconds.

## AUTO POWER On

This unit automatically turns on by an input source : **Bluetooth**

If you try to connect your **Bluetooth** device, this unit turns on and the unit will be connected your **Bluetooth** device.

### ! Note

- Depending on the connected device, this function may not operate.
- Depending on the connected device, the unit turns on but **Bluetooth** function may not be connected.
- If you disconnect **Bluetooth** connection by this unit, some **Bluetooth** devices try to connect to the unit continually. Therefore it is recommended to disconnect the connection before turning off the unit.
- If you have already paired with this unit, automatically this unit can turn on by an input source when this unit is turned off.
- If you turn off the unit by pressing the power button for more than 5 seconds, Auto Power On function is disabled.  
To activate it, turn on the unit.
- To use this function, the main unit must be registered in paired devices list of **Bluetooth** device.

## Auto function change

This unit recognizes input signals such as **Bluetooth**, and then changes suitable function automatically.

### When you try to connect Bluetooth device

When you try to connect your **Bluetooth** device to this unit, BT function is selected. Play your music on the **Bluetooth** device.

### ! Note

This function only works with devices that were previously connected.

## Sound adjustment

This system has a number of pre-set surround sound fields. The displayed items for the equalizer may be different depending on sound sources and effects.

You can select a desired sound mode by using **SOUND EFFECT** on the remote control.

On Display	Description
POP CLASSIC ROCK JAZZ	This program lends an enthusiastic atmosphere to the sound, giving you the feeling you are at an actual rock, pop, jazz or classic concert.
BASS	Reinforces the treble, bass and surround sound effect.
STANDARD	You can enjoy optimized sound.
AUTO EQ	Sets the sound equalizer on the mode that is the most similar to the genre which is included in the MP3 ID3 tag of song files.

### Note

- On some speakers, sound may not be heard or heard in low sound depending on the sound mode.
- Maybe you need to reset the sound mode, after switching the input, sometimes even after the sound track changed.

# Using a BLUETOOTH® wireless technology

## About BLUETOOTH

**Bluetooth** is wireless communication technology for short range connection.

The sound may be interrupted when the connection has interference from other electronic devices or you connect a **Bluetooth** device from a different room. Connecting individual devices under **Bluetooth** wireless technology does not incur any charges. A mobile phone with **Bluetooth** wireless technology can be operated via the Cascade if the connection was made via **Bluetooth** wireless technology.

Available Devices : Mobile phone, MP3, Laptop, PDA.

## BLUETOOTH Profiles

In order to use **Bluetooth** wireless technology, devices must be able to interpret certain profiles. This unit is compatible with following profile.

A2DP (Advanced Audio Distribution Profile)  
Codec : SBC

## Listening to music stored on the BLUETOOTH devices

### Pairing your unit and BLUETOOTH device

Before you start the pairing procedure, make sure the **Bluetooth** feature is activated on your **Bluetooth** device. Refer to your **Bluetooth** device's user guide. Once a pairing operation is performed, it does not need to be performed again.

1. Turn on the unit.
2. Operate the **Bluetooth** device and perform the pairing operation. When searching for this unit with the **Bluetooth** device, a list of the devices found may appear in the **Bluetooth** device display depending on the type of **Bluetooth** device. Your unit appears as "LG CM1560(XX)".

#### Note

- XX means the last two digits of **Bluetooth** address. For example, if your unit has a **Bluetooth** address such as 9C:02:98:4A:F7:08, you will see "LG CM1560(08)" on your **Bluetooth** device.
- Depending on the **Bluetooth** device type, some devices may have a different pairing process. Enter the PIN code (0000) as needed.

3. When this unit has successfully connected with your **Bluetooth** device, "PAIRED" will be appear on the display window.
4. Listen to music.  
To play a music stored on your **Bluetooth** device, refer to your **Bluetooth** device's user guide.

**Note**

- When using **Bluetooth** technology, you have to make a connection between the unit and the **Bluetooth** device as close as possible and keep the distance.  
However, it may not work well in certain situations as described below:
  - There is an obstacle between the unit and the **Bluetooth** device.
  - There is a device using the same frequency with **Bluetooth** technology such as a medical equipment, a microwave or a wireless LAN device.
- You should connect your **Bluetooth** device to this unit again when you restart it.
- The sound may be interrupted when the connection has interference from other electronic devices.
- You cannot control the **Bluetooth** device with this unit.
- Depending on the type of the device, you may not be able to use the **Bluetooth** function.
- You can enjoy a wireless system using a phone, MP3, Notebook, etc.
- The more distance between the unit and the **Bluetooth** device, the lower the sound quality becomes.
- **Bluetooth** connection will be disconnected when the unit is turned off or the **Bluetooth** device gets far from the unit.
- When **Bluetooth** connection is disconnected, connect the **Bluetooth** device to the unit again.
- When a **Bluetooth** device is not connected, "BT READY" appears on the display window.
- When you use **Bluetooth** function, adjust the volume to a proper level on the **Bluetooth** device.
- When you connect **Bluetooth** device (iOS device etc.) to this unit or operate the device, the volume level can be synchronized with each other.

# Radio Operations

## Listening to the radio

1. Press **F** on the remote control or on the unit until **FM** appears in the display window. The last received station is tuned in.
2. Auto tuning :  
Press and hold **TUNING -/+** on the remote control or **◀▶** on the unit for about two seconds until the frequency indication starts to change, then release. Scanning stops when the unit tunes in a station.  
  
Or  
Manual tuning :  
Press **TUNING -/+** on the remote control or **◀▶** on the unit repeatedly.
3. Adjust the volume by rotating volume knob on the unit or by pressing **VOL +/-** on the remote control repeatedly.

## Improving poor FM reception

Press **▶/||** on the remote control or **>||** on the unit.  
This will change the tuner from stereo to mono and usually improve the reception.

## Presetting the Radio Stations

You can preset 50 stations for FM.  
Before tuning, make sure to turn down the volume.

1. Press **F** on the remote control or on the unit until **FM** appears in the display window.
2. Select the desired frequency by pressing **TUNING -/+** on the remote control or **◀▶** on the unit.
3. Press **PROGRAM/MEMORY** on the remote control. A preset number will blink in the display window.
4. Press **PRESET/FOLDER ▲/▼** on the remote control to select the preset number you want.
5. Press **PROGRAM/MEMORY** on the remote control. The station is stored.
6. Repeat steps 2 to 5 to store other stations.
7. To listen to a preset station, press **PRESET/FOLDER ▲/▼** on the remote control.

## Deleting all the saved stations

1. Press and hold **PROGRAM/MEMORY** on the remote control for two seconds. "ERASEALL" will flash up on the unit display.
2. Press **PROGRAM/MEMORY** on the remote control to erase all the saved radio stations.

## Seeing information about a Radio station

The FM tuner is supplied with the RDS (Radio Data System) facility. This shows information about the radio station being listened to. Press **RDS** on the remote control repeatedly to cycle through the various data types:

<b>PS</b>	(Programmed Service Name) The name of the channel will appear in the display.
<b>PTY</b>	(Programmed Type Recognition) The programmed type (e.g. Jazz or News) will appear in the display.
<b>RT</b>	(Radio Text) A text message contains special information from the broadcast station. This text may scroll across the display.
<b>CT</b>	(Time controlled by the channel) This shows the time as broadcast by the station.

You can search the radio stations by programmed type by pressing **RDS** on the remote control. The display will show the last **PTY** in use. Press **PTY** on the remote control one or more times to select your preferred programmed type. Press and hold **TUNING -/+** on the remote control. The tuner will search automatically. When a station is found, the search will stop.



# Troubleshooting

Problem	Cause & Correction
The unit does not work properly.	<ul style="list-style-type: none"> <li>• Turn off the power of this unit and the connected external device (TV, Woofer, DVD-player, Amplifier, etc.) and turn it on again.</li> <li>• Disconnect the power cord of this unit and the connected external device (TV, Woofer, DVD-player, Amplifier, etc.) and then try connecting again.</li> <li>• Previous setting may not be saved when device power is shut off.</li> </ul>
No Power.	<ul style="list-style-type: none"> <li>• The power cord is not plugged in. Plug in the power cord.</li> <li>• Check whether electricity failed. Check the condition by operating other electronic devices.</li> </ul>
No sound.	<ul style="list-style-type: none"> <li>• Check whether you select right function. Press function button and check the selected function.</li> <li>• Check to see if the speakers are connected to the unit correctly.</li> </ul>
The unit does not start playback.	<ul style="list-style-type: none"> <li>• An unplayable disc is inserted. Insert a playable disc.</li> <li>• No disc is inserted. Insert a disc.</li> <li>• The disc is dirty. Clean the disc. (Refer to page 28)</li> <li>• The disc is inserted upside down. Place the disc with the label or printed side facing upwards.</li> </ul>
Radio stations cannot be tuned in properly.	<ul style="list-style-type: none"> <li>• The antenna is positioned or connected poorly. Connect the antenna securely.</li> <li>• The signal strength of the radio station is too weak. Tune to the station manually.</li> <li>• No stations have been preset or preset stations have been cleared. (when being tuned by scanning preset channels) Preset some radio stations, see page 24 for details.</li> </ul>
The remote control does not work properly.	<ul style="list-style-type: none"> <li>• The remote control is too far from the unit. Operate the remote control within about 23 ft (7 m).</li> <li>• There is an obstacle in the path of the remote control and the unit. Remove the obstacle.</li> <li>• The batteries in the remote control are exhausted. Replace the batteries with new ones.</li> </ul>


# Main unit

General	
Power requirements	Refer to the main label.
Power consumption	Refer to the main label.
	Networked standby : 0.5 W (If all network ports are activated.)
Dimensions (W x H x D)	Approx. 150 mm x 181 mm x 210 mm
Net Weight	Approx. 1.24 kg
Operating temperature	5 °C to 35 °C
Operating humidity	5 % to 90 %

Inputs	
Portable in (PORT. IN)	0.6 Vrms (3.5 mm stereo jack) x 1

Tuner	
FM Tuning Range	87.5 to 108.0 MHz or 87.50 to 108.00 MHz

Amplifier (RMS Output power)	
Total	10 W
Front	5 W x 2 (6 $\Omega$ at 1 kHz, 10 % THD)

System	
Frequency response	80 to 20,000 Hz
Signal-to-noise ratio	80 dB
Dynamic range	75 dB
Bus Power Supply (USB)	5 V  500 mA

# Speakers

Front	
Type	1 Way 1 Speaker
Impedance	6 $\Omega$
Rated Input Power	5 W
Max. Input Power	10 W
Dimensions (W x H x D)	Approx. 132 mm x 181 mm x 140 mm
Net Weight	Approx. 0.75 kg

- Design and specifications are subject to change without notice.

# Maintenance

## Handling the Unit

### When shipping the unit

Please save the original shipping carton and packing materials. If you need to ship the unit, for maximum protection, re-pack the unit as it was originally packed at the factory.

### Keeping the exterior surfaces clean

Do not use volatile liquids such as insecticide spray near the unit.

Wiping with strong pressure may damage the surface.

Do not leave rubber or plastic products in contact with the unit for a long period of time.

### Cleaning the unit

To clean the player, use a soft, dry cloth. If the surfaces are extremely dirty, use a soft cloth lightly moistened with a mild detergent solution. Do not use strong solvents such as alcohol, benzine, or thinner, as these might damage the surface of the unit.

### Maintaining the Unit

The unit is a high-tech, precision device. If the optical pick-up lens and disc drive parts are dirty or worn, the picture quality could be diminished. For details, please contact your nearest authorized service center.

## Notes on Discs

### Handling Discs

Never stick paper or tape on the disc.

### Storing Discs

After playing, store the disc in its case. Do not expose the disc to direct sunlight or sources of heat and never leave it in a parked car exposed to direct sunlight.

### Cleaning Discs

Do not use strong solvents such as alcohol, benzine, thinner, commercially available cleaners, or anti-static spray intended for old vinyl records.

---

## Trademarks and Licenses

---



**Bluetooth** wireless technology is a system which allows radio contact between electronic.

Connecting individual devices under **Bluetooth** wireless technology does not incur any charges. A mobile phone with **Bluetooth** wireless technology can be operated via the Cascade if the connection was made via **Bluetooth** wireless technology.

The **Bluetooth** word mark and logos are owned by the Bluetooth SIG, Inc. and any use of such marks by LG Electronics is under license.

Other trademarks and trade names are those of their respective owners.

---

