

94126

# Owners manual : English

# KiddyGuard®

assure™ & accent™

Other languages, see  
[www.lascal.net](http://www.lascal.net)



## KIDDYGUARD® ASSURE™ & ACCENT™

[www.kiddyguard.com](http://www.kiddyguard.com)

**Lascal®**

KiddyGuard® is  
protected by patent.



# ENGLISH

Dear Customer, Thank you for choosing a KiddyGuard® Assure™ & Accent™ from Lascal. We hope you are delighted with your purchase and enjoy the protection it gives small children.

KiddyGuard® Assure™ & Accent™ are safety gates designed for children up to 24 months of age. KiddyGuard® Assure™ & Accent™ protect door or stair openings which are up to 100cm(40 inches) wide.

## Index

---

Warnings and Safety Information .....	2
Parts of the KiddyGuard® Assure™ & Accent™ .....	3
Location for Use .....	4
Attaching the Gate .....	5
Attaching the Locking Strip .....	6
How to Operate .....	7
Accessories .....	8
Material Composition .....	9
Cleaning Instruction .....	9
Warranty .....	9
Safety Standards and Tests .....	9
Other Lascal Products .....	10-11
Contact Information .....	12-13
Product Registration Card .....	14-15

# IMPORTANT ! READ AND FOLLOW THESE INSTRUCTIONS CAREFULLY AND KEEP FOR FUTURE REFERENCE



## WARNING !

## SAFETY INFORMATION

This product complies with both European Standard EN 1930:2011 and US Safety Standard ASTM F1004-13 and the warnings are in accordance with these Standards.

**WARNING** - Incorrect Installation can be dangerous.

**WARNING** - Do not use the safety barrier if any components are damaged or missing.

**WARNING** - The safety barrier must not be fitted across windows.

This safety barrier is for domestic use only.

To prevent serious injury or death, securely install and position the KiddyGuard® Assure™ & Accent™ and use it according to these instructions.

The KiddyGuard® Assure™ & Accent™ should not be subject to mechanical damage e.g. hitting it with sharp, hard objects or scratching from pet claws or pulling up or down on it, as this will cause damage.

When fitted in place, check the barrier to ensure that it is properly fixed and secure.

The KiddyGuard® Assure™ & Accent™ has an automatic locking system. However, ensure that the locking mechanism is securely engaged every time that you close the stairgate.

The KiddyGuard® Assure™ & Accent™ general condition and safety mechanism should be checked periodically, with particular reference to the security of attachments and operation of the locking device, in accordance with these instructions.

Do not allow adults, children or pets to climb over or under the safety barrier, it may damage or dislodge the gate and cause injury.

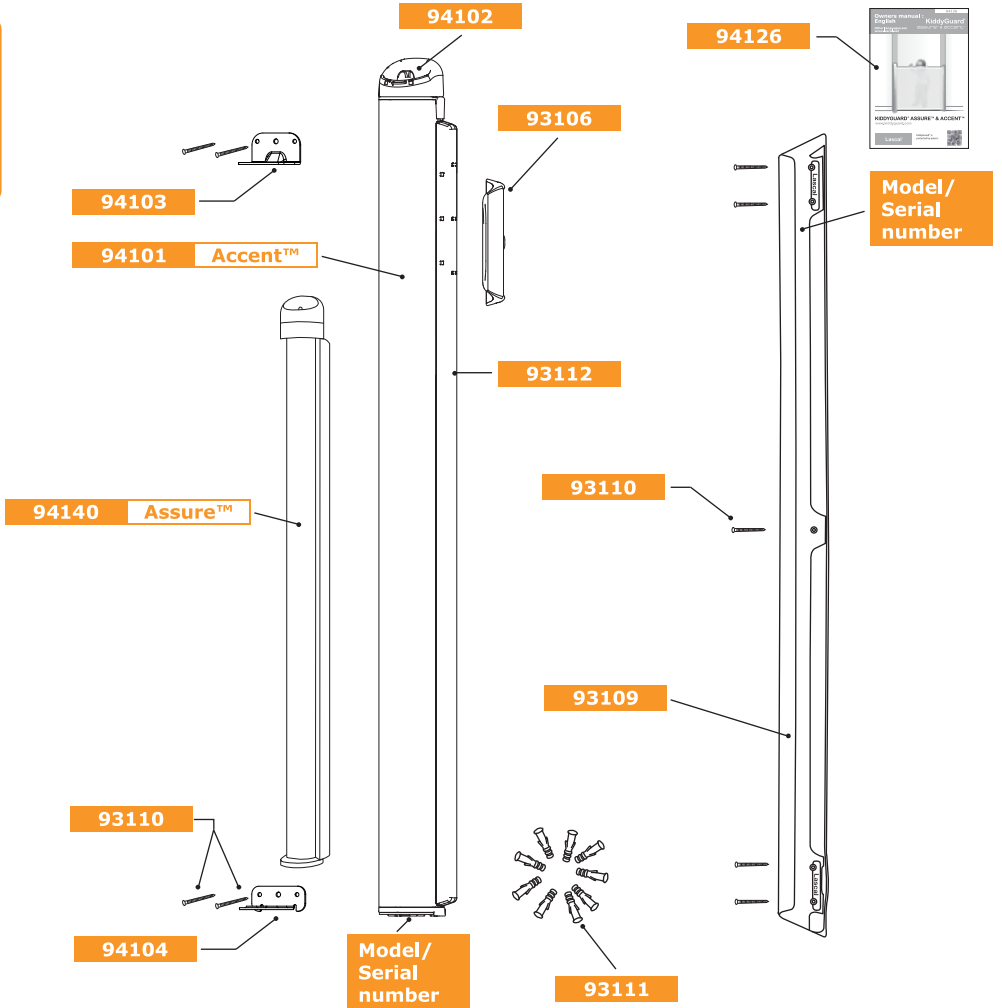
Stop using the barrier if the child is capable of climbing over or dislodging it.

Intended for use with children from 6-24 months of age. This product will not necessarily prevent all accidents. Never leave your child unattended.

Additional and replacement parts should only be obtained from the Manufacturer or Distributor.

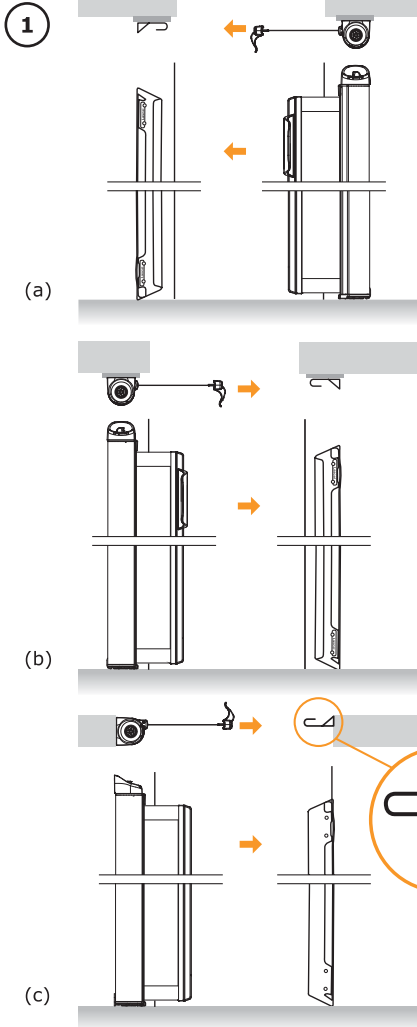
# KIDDYGUARD® ASSURE™ AND ACCENT™ PARTS

English



Part No.	Quantity	Description
94140	1	Gate Assure™
94101	1	Gate Accent™
94102	1	Top Cover (attached to gate - removable) White / 94108 Top Cover Black
93106	1	Handle Black / 93222 Handle White
94103	1	Bottom Bracket
94104	1	Top Bracket
93109	1	Locking Strip
93110	9	Wood Screws
93111	9	Rawplugs/Plastic Anchors
93112	1	Locking Rod (attached to mesh - non removable)
94126	1	Manual Assure™ & Accent™

## LOCATIONS FOR USE



### 1. Decide whether the KiddyGuard® Assure™ /Accent™ will attach.

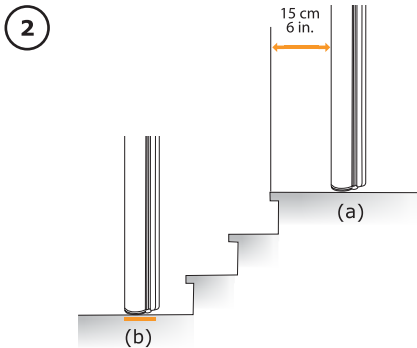
- a) To the wall to the right and in front of the opening/stairway. Fig 1a.

OR

- b) To the wall to the left and in front of the opening/stairway. Fig 1b.

OR

- c) Within the opening/stairway, to either the right/left. Fig 1c.



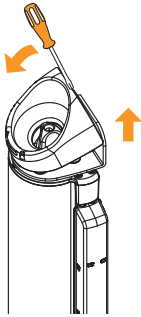
### 2. Use at top or bottom of stairs

- a) TOP of stairs - Base of KiddyGuard® Assure™ /Accent™ must be at floor level and 15 cm/6 inches back from the top step. Fig 2a.

OR

- b) BOTTOM of stairs - Base of KiddyGuard® Assure™ /Accent™ must be positioned at the front of the lowest tread possible. Fig 2b.

3



### 3. Remove the Top Cover

#### 4. Fit the Gate

- Decide position as per the options in Figure 1. If locating the KiddyGuard® in position 1a or 1c, first remove the Top Bracket by unscrewing the four bolts.
- Attach the bottom bracket flush with the floor.

#### When attaching to:

**Wood** - Use the screws provided. Drill pilot holes before tightening the screws.

**Concrete/brick** - Use the screws+rawl plugs/plastic anchors provided. Drill hole 6 mm, (¼ in). Insert rawl plugs/plastic anchors flush with wall and then tighten screws.

**Other wall materials** - use an appropriate fixing system.

**Bannister** - use the Bannister Installation Kit. See Accessories.

- Press Gate onto bottom bracket. (check the mesh pulls out in the required direction).
- If you removed the Top Bracket in 4a, replace the Top Bracket positioning the screw holes against the wall, refix the bolts.
- Ensure the Gate is vertical and mark the locations for the screw holes of the Top Bracket. Remove the Gate and drill the holes according to (b) then press the Gate back onto the Bottom Bracket and fix the screws see (b).

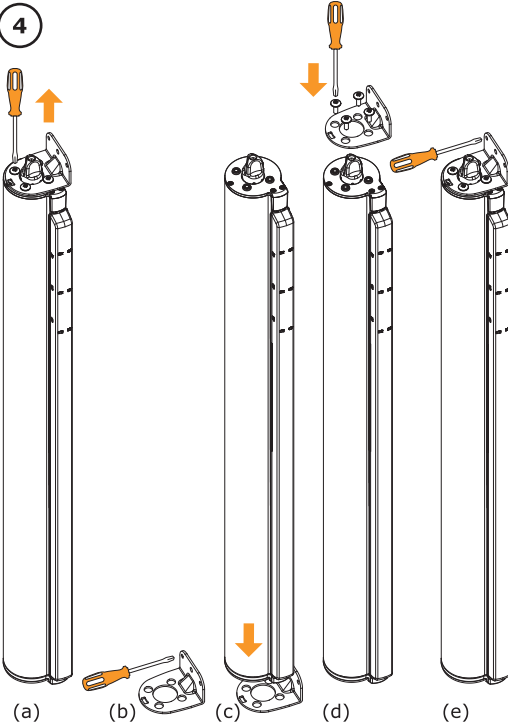
Make sure that the gate is mounted **firmly and vertically**.

N.B. If there is a **Skirting/Baseboard** on the wall to which the Locking Strip is to be attached, a **Wall Installation Kit (WIK)** is available as an accessory, see page 8. Alternatively can a piece of wood, the thickness of the **Skirting/Baseboard**, be positioned between the Locking Strip and the wall.

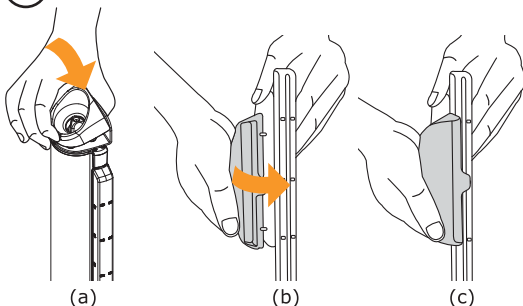
#### 5. Attach Top Cover and Handle

- Push the Top Cover firmly back onto the Gate Housing, with the high side flush to the wall.
- Pull out a portion of the mesh (see Fig. 8a). Align tabs on Handle with holes on Locking Rod. (5b)
- Rotate Handle back until it snaps into place. (5c)

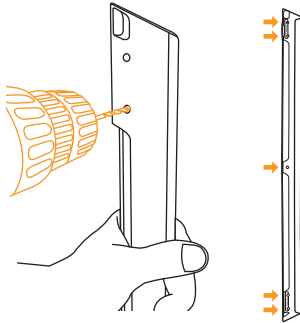
4



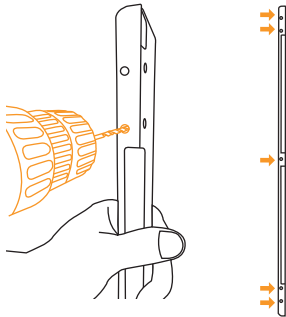
5



6



(a)



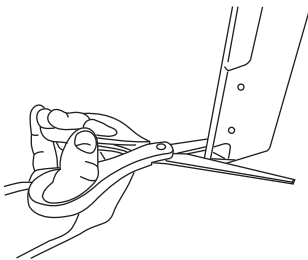
(b)

## 6. Prepare the Locking Strip

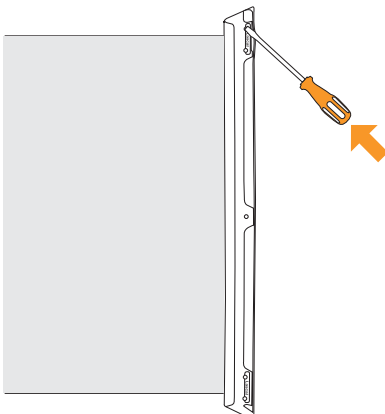
Drill five holes at the points marked on the Locking Strip either:

- a) When attaching the Locking Strip TO THE WALL, as shown in Fig 1a and 1b, please follow Fig 6a to prepare the Locking Strip. Identify the five hole markers on the wide surface of the Locking Strip. Use a power drill with a 4mm, (1/6 in) drill bit and drill out the five holes.
- b) When attaching the Locking Strip INSIDE AN OPENING, as shown in Fig 1c, please follow Fig 6b. To prepare the Locking Strip, identify the five hole markers on the edge of the Locking Strip. Use a power drill with a 4mm, (1/6 in) drill bit to drill out the five holes

7



(a)



(b)

## 7. Attach the Locking Strip

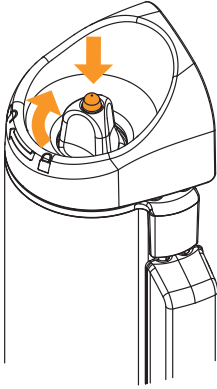
- a) Hold the Locking Strip in position to find the base end. Cut this base end at the point marked on the Locking Strip.
- b) Release and pull out the gate, see "How to operate", Fig 8a.

Hook the Locking Rod onto the Locking Strip, and hold it against the wall/bannister against which it is to be mounted. It is essential that the mesh is evenly stretched across the opening, with no sagging at either the top or bottom.

Attach the Locking Strip to the wall by marking through the holes of the Locking Strip to identify where screw holes should be drilled. See 4b to determine how to screw the Locking Strip to different wall materials.

If there is a **Skirting/Baseboard** on the wall to which the Locking Strip is to be attached, a **Wall Installation Kit (WIK)** is available as an accessory, see page 8. Alternatively can a piece of wood, the thickness of the **Skirting/Baseboard**, be positioned between the Locking Strip and the wall.

8



**8. Locking System**

KiddyGuard® Assure™/Accent™ has an automatic locking system.

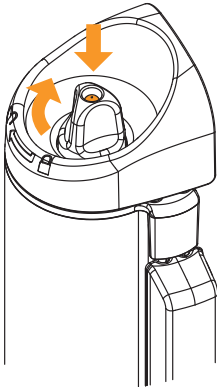
- a) **Unlocking** - Push and turn the locking button clockwise. The gate will now be free to open or close.
- b) **Locking** - The locking automatically turns on when the gate retracts.

**NOTE**

The Lock Indicator shows red when the gate is unlocked and does not provide a protective barrier.

The KiddyGuard® Assure™/Accent™ is easy to operate single-handed.

9



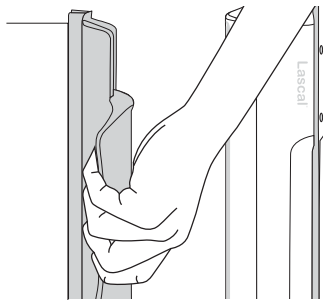
**9. To close the KiddyGuard® Assure™/Accent™**

- a) Push and turn the locking button on the top of the gate.
- b) Use the Handle to pull the gate across and hook it onto the Locking Strip, see Fig 10.

**IMPORTANT**

AFTER CLOSING THE KIDDYGUARD® ASSURE™ / ACCENT™, ALWAYS CHECK THAT THE GATE IS LOCKED BY PUSHING GENTLY AGAINST THE MESH.

10



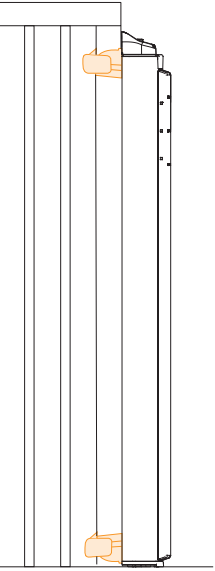
**10. To open the KiddyGuard® Assure™/Accent™**

Release the gate by repeating the operations 9a. Unhook the gate and let it roll up.

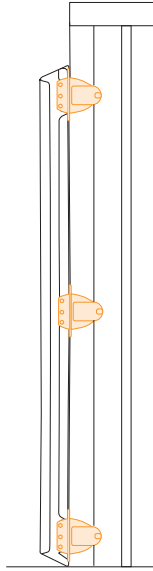
**IMPORTANT**

CONTINUE TO HOLD THE HANDLE WHILE THE GATE ROLLS UP.





**BIK Gate Housing (Assure™ Gate Housing cannot be attached to circular bannister)**



**BIK Locking Strip**

### Bannister Installation Kits

The Gate Housing and the Locking Strip can be attached directly to the bannister by using one or both of the following bannister kits:

#### Bannister Installation Kit (BIK) for the Gate Housing.

Item No. 12566 (black)  
Item No. 12567 (white)


#### Bannister Installation Kit (BIK) for the Locking Strip.

Item No. 12561 (black)  
Item No. 12563 (white)


### Bannister Dimensions:

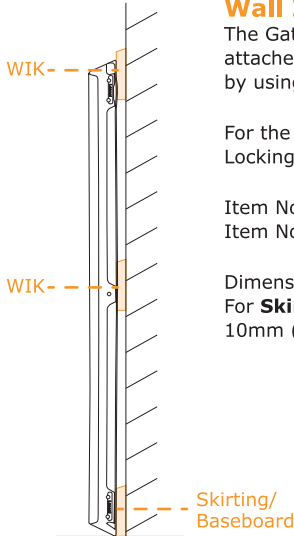
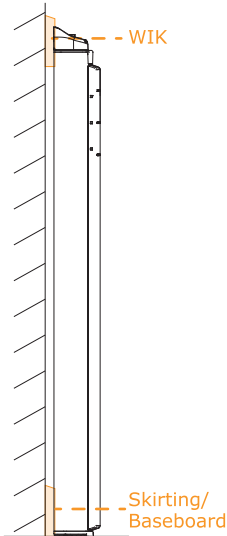
Both Bannister Installation Kits can be used on round or square bannisters with the following dimensions.

#### Circular bannisters:

	$\phi$	Minimum 14mm 7/16"	Maximum 50mm 2"
---	--------	--------------------------	-----------------------

#### Square bannisters:

	Minimum 14 x 14mm 7/16" x 7/16"	Maximum 50 x 50mm 2" x 2"
---	---------------------------------------	---------------------------------



**WIK used for Gate / Locking Strip**

### Wall Installation Kit (WIK)

The Gate and the Locking Strip can be attached on walls with **Skirting/Baseboard** by using WIK.

For the Gate is one WIK set needed and for the Locking Strip is two WIK needed.

Item No. 12564 (one set) black  
Item No. 12565 (one set) white

Dimensions  
For **Skirting/Baseboard** between  
10mm (3/8") - 19mm (3/4")

## MATERIAL COMPOSITION OF THE KIDDYGUARD® ASSURE™/ACCENT™

The plastic parts are made of Polyamide (PA6) Polyoxymethylene (POM), Polypropylene (PP) and Polyester (PE). The body of the KiddyGuard® Assure™/Accent™ is made of Aluminium. The materials are chosen for their strength and resistance. All parts are non-toxic and can be recycled. The mesh of the KiddyGuard® Assure™/Accent™ is flameproof.

## CLEANING INSTRUCTIONS

All parts of the KiddyGuard® Assure™/Accent™ can be cleaned with a mild, liquid household detergent on a damp cloth. Do not use chlorine or abrasive powder.

## ONE YEAR WARRANTY

Your KiddyGuard® Assure™/Accent™ is guaranteed to be free from manufacturing defects for a period of one year from date of purchase, when used under normal conditions and in compliance with this Owner's Manual. This warranty extends only to the original retail purchaser and is only valid when supplied with proof of purchase.

## SAFETY STANDARDS AND TESTS

Your KiddyGuard® Assure™/Accent™ meets or exceeds the following standards U.S. Safety Standard ASTM F1004-13 and European Safety Standard EN 1930:2011

All components are tested and meet the standard for children products according to CPSIA (USA) and REACH (EU)



## LASCAL M1 CARRIER™

### The Ultimate Baby Carrier

The Lascal M1 Carrier™ is the next generation of baby carriers with a sporty and fashionable look for today's parent. Using the latest high-tech ventilated fabrics dramatically increases the comfort for both baby and parent. Super soft and naturally anti-bacterial Bamboo fabric is perfect for the removable Top Cover and for the leg and arm openings, that come in contact with baby's skin.

## Lascal® M1™ Carrier



[www.lascal.net](http://www.lascal.net)

not sold in all countries.

## BUGGYBOARD®-MAXI

Premium design fits 99% of all pushchairs / strollers to provide a safe and fun platform for your toddler to ride.

Packed with ground breaking design features, the state of the art MAXI™ boasts an EXTRA LARGE anti slip platform with in-built suspension for the ultimate in ride comfort; bigger wheels to make the going easier over bumpy ground and to give EXTRA CLEARANCE for Mum's feet; plus side reflectors for night time visibility and the handy Lascal LIFT 'N' STORE hang up device.

Suitable for children from 2-5 years.



## BUGGYBOARD®-MINI

Compact board fits classic buggies and umbrella fold strollers.

Portable and lightweight, the MINI™ is packed with carefully thought out design features including the secure, easy to use Lascal connector mechanism; an anti slip platform with side protection frame; in-built suspension for a smoother ride and a LIFT 'N' STORE hang up device so the board can be hooked up out of the way when it is not required.

Suitable for children from 2-5 years.



## CONTACT INFORMATION (A - J)

### ALBANIA

Kidscom SA  
71 str. Achilleos  
104 36 Athens  
Greece  
Tel: +30 2105232605  
E-mail: info@kidcom.gr  
www.kidcom.gr

### AUSTRALIA

CNP Brands  
Derrimut VIC 3030  
Australia  
Tel. +61 3 9394 3000  
Customer Service: 1300 667 137  
E-mail: info@cnpbrands.com.au  
www.cnpbrands.com.au

### AUSTRIA

BMK Handels-und Vertriebs GmbH  
1230 Wien  
Tel. +43 (0)1-8038767  
E-mail: info@popolini.com  
www.popolini.com

### BELGIUM

Hebeco BVBA  
2960 Brecht  
Tel. +32 (0)3 330 12 12  
E-mail: info@hebeco.be  
www.hebeco.be

### BULGARIA

LAVALLETTE Ltd  
Sofia, Bulgaria  
Krichim str. 44  
Tel: +359(0)888 564 880  
Fax: +359(2)980 88 31  
E-mail: post@kiddyboard.net  
www.kiddyboard.net

### CANADA

Regal Lager, Inc.  
Kennesaw GA, 30144,  
U.S.  
Ph. 800-593-5522  
E-mail: info@regallager.com  
www.regallager.com

### CHILE

ACAM S.A.  
Av. Ricardo Lyon 1343  
Providencia, Santiago  
Chile  
Tel: (56-2) 269 6330

### CHINA-SHANGHAI

彩趣貿易(上海)有限公司  
上海徐匯區龍華西路585號  
華富大廈A棟16樓01室  
電話: +86 21 6361 0232  
+86 21 6468 1095  
傳真: +86 21 6469 8968

### CYPRUS

NEW BABY CITY  
39h, Digeni Akritas  
1070 Nicosia  
Cyprus  
Ph. +357 22750 462  
E-mail: info@newbabycity-online.com  
www.newbabycity-online.com

### CZECH REPUBLIC

Vispa Náchod sro  
549 12 Vysokov 1  
Tel.+ 420 491 433 544  
E-mail:vispa@vispa.cz  
www.lascal.cz

### DENMARK

Nord-Ideen,  
Martin Frommhagen  
23821 Wardersee,  
Germany  
Tel. +49 (0)4559/18840  
www.nordideen.de

### ESTONIA / LATVIA / LITHUANIA

4kids OÜ  
Randvere tee 17-51  
74001 Haabneeme, Harjumaa  
Estonia  
Phone: +372 5309 0606  
Fax: +372 699 0304  
E-mail: info@4kids.ee  
www.4kids.ee

### FINLAND

Britax - Pohjolan Lapset Oy  
00930 Helsingfors  
Puh. +358 (0)9 343 60 10  
E-mail: info@britax.fi  
www.britax.fi

### FRANCE

Gamin Tout-Terrain  
75019 Paris  
Tel. +33 (0)1 42 38 66 00  
E-mail:  
info@gamin-tout-terrain.com  
www.gamin-tout-terrain.com

### GREECE

Kidscom SA  
71 str. Achilleos  
104 36 Athens  
Greece  
Tel: +30 2105232605  
E-mail: info@kidcom.gr  
www.kidcom.gr

### GERMANY

Nord-Ideen,  
Martin Frommhagen  
23821 Wardersee  
Tel. 04559/18840  
www.nordideen.de

### HOLLAND

Hebeco BVBA  
2960 Brecht  
Belgium  
Tel. +32 (0)3 330 12 12  
E-mail: info@hebeco.be  
www.hebeco.be

### HONG KONG, CHINA & MACAU

Lascal Ltd.  
Suite 919, 9th floor, Tower 3  
China Hong Kong City  
33 Canton Road, Kowloon  
Hong Kong (SAR)  
Tel. +852 2302-1511  
E-mail: info@lascal.com.hk  
www.lascal.net

### HUNGARY

Brendon Gyermekáruházak Kft.  
1138 Budapest  
Tel. 01-320-8872  
www.brendon.hu

### ICELAND

Fifa Ltd.  
Reykjavik 110  
Ph. +354 552 25 22  
E-mail: fifa@fifa.is  
www.fifa.is

### IRELAND

Cheeky Rascals Ltd.  
Stone Barn, The Brows  
Farnham Road, Liss  
Hampshire, GU33 6JG  
U.K.  
Tel: +44 (0)1730 895 761  
Fax: +44 (0)1730 897 549  
E-mail: sales@cheekyrascals.co.uk  
www.cheekyrascals.co.uk

### ISRAEL

Baby Safe  
Ind. Park Kibbutz Mishmarot  
Israel  
Tel: 972 (0)72 2555100  
Fax: 972 (0) 72 2555101  
Email : office@babysafe.co.il  
Web site www.babysafe.co.il

### ITALY

Primi Sogni Srl  
24060 Telgate  
Tel. +39 (0)35/831271  
E-mail: info@primisogni.com  
www.primisogni.com

### JAPAN - 日本

株式会社 ティーレックス  
〒541-0053  
大阪市中央区本町2丁目3番14号  
船場旭ビル5F  
Tel: 06-6271-7501  
E-mail: smart@t-rxbaby.co.jp  
www.t-smartstart.com

## CONTACT INFORMATION (K - Z)

T-Rex, Co. Ltd.  
Senba Asahi Bldg  
2-3-14 Honmachi  
Chuo-ku, Osaka  
#541-0053

### KOREA

Zero to Seven Co.,Ltd  
Hanmi Bldg 11F, 1,  
Gongpyeong-dong,  
Jongno-gu, Seoul, #110-160  
Korea  
Tel: 82-1588-8744  
Fax: 82-2-740-3197  
E-mail: mallmaster@maeil.com  
www.0to7.com  
Sole Distributor for BuggyBoard,  
and KiddyGuard

### LUXEMBOURG

Hebeco BVBA  
2960 Brecht  
Belgium  
Tel. +32 (0)3 330 12 12  
E-mail: info@hebeco.be  
www.hebeco.be

### MALAYSIA

INFANTREE PTE LTD  
23 Tagore Lane  
#03-04 Singapore 787601  
Tel: 65 64541867  
Fax: 65 6454 7784  
Email: info@infantree.net

### MALTA

Rausi Co. Ltd  
San Gwann, SGN 09  
Tel. +356 21 445654  
E-mail: info@rausi.com.mt  
www.rausi.com.mt

### New Zealand

Wainhouse Distribution Ltd  
Tel: +64 9 815 1020  
E-mail: aaron@wainhousedist.co.nz  
www.wainhousedist.co.nz

### NORWAY

Norske Servicesystemer AS  
N-3511 Honefoss  
Tel: +47 32 124944  
E-mail: post@servicesystemer.no  
www.servicesystemer.no

### POLAND

Tootiny  
ul. Trzebiatowska 16  
60-432 Poznan, Poland  
Tel: +48-0-61-8499 261  
E-mail: mail@tootiny.com  
www.tootiny.com

### PORTUGAL

B.B. Aventurero, S.L.  
Progreso, 35, 08850 Gava  
Barcelona, Spain  
Tel: +34 93 637 08 44  
E-mail:  
infor@elbebeaventurero.com  
www.elbebeaventurero.com

### ROMANIA

Kidscom SA  
71 str. Achilleos  
104 36 Athens  
Greece  
Tel: +30 2105232605  
E-mail: info@kidcom.gr  
www.kidscom.gr

### RUSSIA - Россия

107553 Москва  
1-ая Пугачевская ул. влад.17  
Тел.(495)161 29 45,  
(495)161 25 91, (495)161 27 48  
E-mail: maxi-cosi@carber.ru  
www.carber.ru

Carber Poriferra  
Moscow 107553  
Tel. +7 (495) 161 29 45

### SERBIA

Kidscom SA  
71 str. Achilleos  
104 36 Athens  
Greece  
Tel: +30 2105232605  
E-mail: info@kidcom.gr  
www.kidscom.gr

### SINGAPORE

INFANTREE PTE LTD  
23 Tagore Lane  
#03-04 Singapore 787601  
Tel: 65 64541867  
Fax: 65 6454 7784  
Email: info@infantree.net

### SLOVAK REPUBLIC

Vispa Náchod sro  
549 12 Vysokov 1  
Tel.+420 491 433 544  
E.mail:vispa@vispa.cz  
www.lascal.sk

### SLOVENIA

MAMI d.o.o.  
1236 Trzin  
Tel. 01-5623350  
E-mail: info@mami.si  
www.mami.si

### SOUTH AFRICA

Buggy Board South Africa  
P.O. Box 52  
Melkbosstrand  
Cape Town 7437  
Tel: +27 (0)82 89 00 833  
Fax: +27 (0)866 579 041  
E-mail: buggyboard@telkomsa.net

### SPAIN

B.B. Aventurero S.L.  
Progreso 35, 08850 Gava  
Barcelona, Spain  
Tel: +34 93 637 08 44  
E-mail:  
infor@elbebeaventurero.com  
www.elbebeaventurero.com

### SWEDEN

Carlo i Jönköping AB  
556 52 Jönköping  
Tel. +46 (0)36-690 00  
E-mail: info@carlobaby.com  
www.carlobaby.com

### SWITZERLAND

BAMAG Babyartikel und Möbel AG  
CH-8320 Fehraltorf  
Tel. +41 (0)44 954 88 00  
E-mail: info@babybamag.ch  
www.babybamag.ch

### TAIWAN

Topping Prosperity Inc.  
6/F, No.49, Lane 76,  
Ruey-Guang Rd.  
Ney-Hwu District  
Taipei, Taiwan  
Tel: 886-2-87924158  
Fax: 886-2-87911586  
E-mail: topping2@ms21.hinet.net  
www.babybus.com.tw  
Sole Distributor For  
Buggyboard And M1 Carrier

Evey Co., Ltd  
No.12 Lugong S 3rd Rd.,  
Lugang Township,  
Changhua County, 50544, Taiwan  
Tel: 886-4-7811376  
Fax: 886-4-7810576  
E-mail: info@evey.com.tw  
www.evey.com.tw  
Sole Distributor For Kiddyguard

### TURKEY

Kidscom SA  
71 str. Achilleos  
104 36 Athens  
Greece  
Tel: +30 2105232605  
E-mail: info@kidcom.gr  
www.kidscom.gr

### THAILAND

Thai Soonthorn International  
Trading Co., Ltd.  
316 Soi Taksin 19, Taksin Road,  
Bukkalo, Thonburi, Bangkok 1060  
Tel: +662 2891891  
E-mail: info@thaisoonthorninter.com  
www.thaisoonthorninter.com

### UNITED ARAB EMIRATES

Goldentoys  
Murshid Bazar, Deira  
P.O. Box 6761  
Dubai  
Tel: +97142268448  
Fax: +971 2257336  
E-mail: goldtoy@eim.ae

### UNITED KINGDOM

Cheeky Rascals Ltd.  
Stone Barn, The Brows  
Farnham Road, Liss  
Hampshire, GU33 6JG  
U.K.  
Tel: +44 (0)1730 895 761  
Fax: +44 (0)1730 897 549  
E-mail: sales@cheekyrascals.co.uk  
www.cheekyrascals.co.uk

### UNITED STATES

Regal Lager, Inc.  
Kennesaw GA, 30144  
Ph. 800-593-5522  
E-mail: info@regallager.com  
www.regallager.com



**PRODUCT REGISTRATION CARD**

Register your purchase at [www.lascal.net/web/register](http://www.lascal.net/web/register) or fill in and return this card by mail.

Registering is the only way to guarantee that Lascal will notify you in the unlikely event we need to issue a safety notification.

.....  
Name

.....  
Address  
.....  
.....

.....  
City

.....  
State

.....  
Postcode

.....  
Country

.....  
E-mail address

.....  
Date of purchase

.....  
Model/Serial number

The serial number can be found on the Locking Strip and the bottom of the Gate Housing (see page 3.)

**KiddyGuard<sup>®</sup>**  
assure<sup>™</sup> & accent<sup>™</sup>



**PRODUCT REGISTRATION CARD**

Place  
stamp  
here

.....

.....

.....

.....

**PRODUCT REGISTRATION CARD**

To return this card by mail, please find the address of your national registration office on page 12-13, or register online at [www.lascal.net](http://www.lascal.net)

Lascal

Please fold and seal with tape before mailing. Do not staple.