

# BURLEY®

OWNER'S INSTRUCTION & SAFETY MANUAL



## CHILD TRAILER MANUAL

Cub® X



**Important: Keep these instructions for future reference**

**Important: Conservez ces instructions pour consultation ultérieure**

**Video instructions available online at: [burley.com/support/video-guides](http://burley.com/support/video-guides)**



**Instructions vidéo disponibles en ligne à l'adresse : [burley.com/support/video-guides](http://burley.com/support/video-guides)**

**Wichtig: Bitte bewahren Sie diese Anleitung zum Nachschlagen auf**

**Importante: Guarde estas instrucciones para su consulta futura**

**Eine Video-Anleitung finden Sie online unter: [burley.com/support/video-guides](http://burley.com/support/video-guides)**

**Vídeo de instrucciones disponible en línea en: [burley.com/support/video-guides](http://burley.com/support/video-guides)**

ENG

WARNING	3
Maximum Capacities	4
Box Contents	4
Burley Trailer Guide	4
Opening Your Trailer	5
Closing Your Trailer	5
Adjusting the Suspension	5
Attaching the Wheels	5
Installing the Quick Receivers	6
Installing the Tow Bar	6
Removing the Tow Bar	6
Converting to Stroller Mode	7
Converting to Trailer Mode	7
Locking the Brake	8
Securing the Cover and Flag	8
Installing Additional Lights	8
Adjusting the Handlebar	8
Adjusting the Independent Recline	9
Securing Your Child	9
Hooking up Your Trailer	10
Before You Ride	11
Maintaining Your Burley	11
Burley Limited Warranty	11
Connect with Burley	20

## Important

Before using your trailer, please familiarize yourself with this Burley manual. For questions and additional information, please contact your authorized Burley dealer or visit [www.burley.com](http://www.burley.com).

DEU

WARNHINWEIS	12
Maximale Kapazitäten	13
Verpackungsinhalt	13
Übersicht Burley-Anhänger	13
Öffnen Ihres Anhängers	14
Schließen Ihres Anhängers	14
Einstellen der Federung	14
Befestigung der Räder	14
Installieren der Schnellaufnahme	15
Installieren der Zugstange	15
Herausnehmen der Zugstange	15
Umstellung auf Schiebe-Modus	16
Umstellung auf Anhänger-Modus	16
Die Feststellbremse betätigen	17
Sicherung von Verdeck und Fahne	17
Installieren Sie zusätzliche Lichter	17
Einstellen des Überrollbügels	17
Individuelles Einstellen der Rückenlehnen	18
Sicherung Ihres Kindes	18
Ankoppeln Ihres Anhängers	19
Vor der Fahrt	20
Pflege Ihres Burley Anhängers	20
Begrenzte Garantie von Burley	20
Kontakt mit Burley	40

## Wichtig

Bevor Sie Ihren Anhänger benutzen, machen Sie sich bitte mit dieser Gebrauchsanleitung von Burley vertraut. Bei Fragen oder für zusätzliche Informationen, kontaktieren Sie bitte Ihren autorisierten Burley-Händler oder besuchen Sie uns unter [www.burley.com](http://www.burley.com).

FRA

AVERTISSEMENT	21
Capacités maximales	22
Contenu de la boîte	22
Guide de remorque Burley	22
Ouverture de votre remorque	23
Fermeture de votre remorque	23
Réglage de la suspension	23
Fixation des roues	23
Installation des récepteurs rapides	24
Installation de la barre de remorquage	24
Désinstallation de la barre de remorquage	24
Passage en mode poussette	25
Passage en mode remorque	25
Installation du frein de stationnement	26
Sécurisation de la capote et du drapeau	26
Installer des lumières supplémentaires	26
Réglage de l'arceau de sécurité	26
Ajustement de l'inclinaison indépendante	27
Installation de Votre Enfant	27
Accrochage de votre remorque	28
Avant de partir	29
Entretien de votre remorque Burley	29
Garantie limitée Burley	29
Restez connecté avec Burley	40

## Important

Avant d'utiliser votre remorque, veuillez lire ce manuel Burley. Pour plus d'informations et si vous avez des questions, veuillez contacter votre revendeur agréé Burley ou visiter le site internet [www.burley.com](http://www.burley.com).

ESP

ADVERTENCIA	30
Capacidades máximas	31
Contenidos de la caja	31
Guía del remolque Burley	31
Cómo abrir su remolque	32
Cómo cerrar su remolque	32
Ajuste de la suspensión	32
Colocación de las ruedas	32
Instalación de los acoples rápidos	33
Instalación de la barra de remolque	33
Extracción de la barra de remolque	33
Conversión al modo de cochecito	34
Conversión al modo de remolque	34
Ajuste del freno de aparcamiento	35
Fijación de la cubierta y de la bandera	35
Instalar luces adicionales	35
Ajuste de la barra de soporte	35
Ajuste del asiento reclinable independiente	36
Asegurar al Niño	36
Conexión de su remolque	37
Antes de usar:	38
Mantenimiento de su Burley	38
Garantía limitada de Burley	38
Contacto con Burley	40

## Importante

Antes de usar su remolque, lea atentamente este manual de Burley. Si tiene cualquier pregunta o necesita información adicional, póngase en contacto con su distribuidor autorizado Burley o visite [www.burley.com](http://www.burley.com).



# WARNING

Failure to comply with the instructions and warnings in this manual could result in serious injury or death of the passenger or rider.

- Never leave your child unattended.
- Ensure that all locking devices are engaged before use.
- To avoid injury ensure that your child is kept away when unfolding and folding this product.
- Do not let your child play with this product.
- This seat unit is not suitable for children under 6 months (unless using a Burley approved accessory).
- Always use the restraint system.
- DO NOT install a car seat or any other seating device in the product.
- This product is not suitable for running or skating.
- When using double trailer with one child, always seat the child in the right side position.  
**Note: references to the left or right refer to standing behind the trailer looking forward.**
- Make sure children cannot put fingers, clothing, toys or shoelaces into the wheel spokes or any other moving parts.
- Be cognizant of exposure hazards to less-active trailer occupants such as windchill and heat exhaustion, either by prolonged exposure in colder temperatures, or by extended periods in warmer temperatures without adequate ventilation or hydration.
- Parcels or accessory items, or both, placed on the unit may cause the unit to become unstable. Unstable hazardous conditions may exist if package carry accessories are added onto the product.
- Any load attached to the handle and/or on the back of the backrest and/or on the sides of the vehicle will affect the stability of the vehicle.
- Check that the pram body or seat unit or car seat attachment devices are correctly engaged before use.
- DO NOT use with a total load that exceeds the weight limits, or more children than the vehicle has been designed for. If recommended load is exceeded, the unit may become unstable.
- DO NOT make modifications to the product.
- DO NOT over-inflate the tires. Failure to comply with the rated tire sidewall pressure may lead to explosion of the tire and possible injury.
- Always use the jogging tether when used as a stroller.
- When strolling use only on paths that are meant for walking. Do not use it on steep slopes, which can make the product unstable. You should be able to maintain traction and control at all times.
- Do not maneuver over stairs or other obstacles while your child is inside.
- Only use Burley approved accessories. When attaching an accessory to your trailer make sure to read and follow all warnings and instructions that are included with the accessory kit.

## When used as a bicycle trailer:

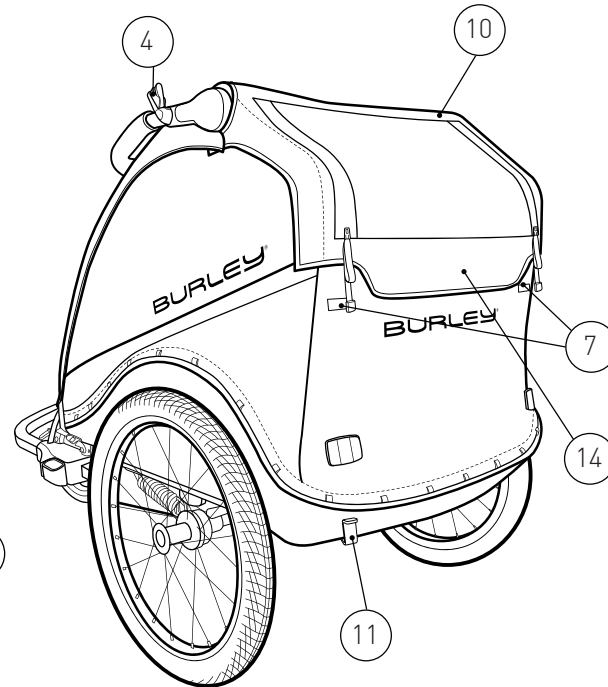
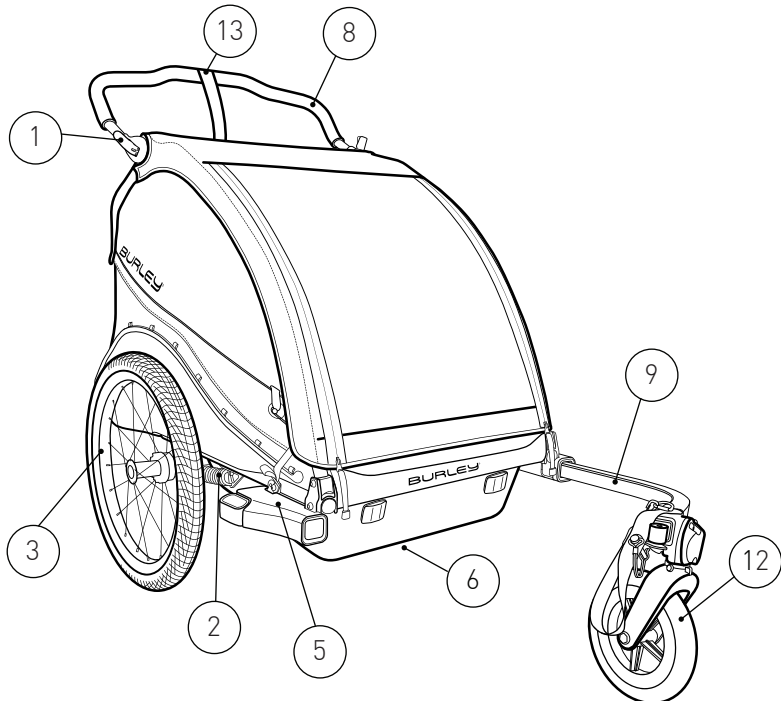
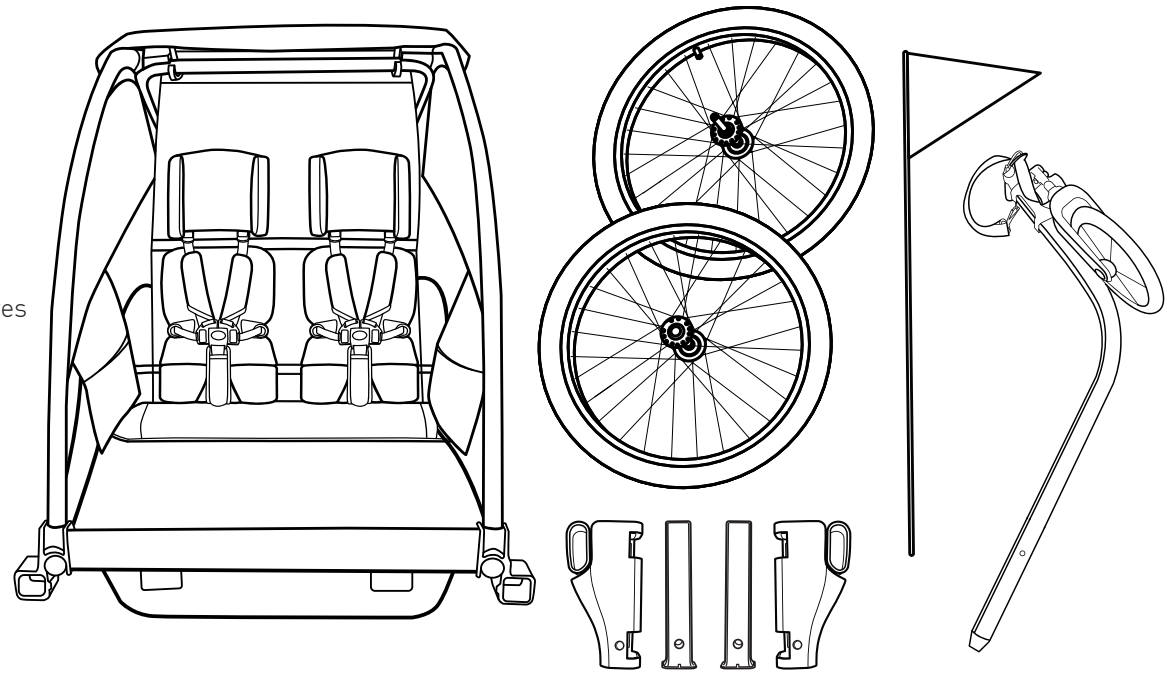
- It is recommended that a qualified bicycle mechanic does a safety check of the towing bicycle before attaching the trailer.
- Before each ride, be sure the trailer does not interfere with braking, pedaling or steering of the bicycle.
- It is recommended that a rearview mirror be used on the bike.
- Always comply with local regulations when using the trailer on public roadways.
- Never ride a bicycle at night without adequate lighting.
- Obey all local legal requirements for lighting.
- The red reflectors that came with the trailer must remain attached and visible on the rear of the trailer at all times.
- If you need to come to a stop for any reason, such as to check on your child, to make adjustments or to address a flat tire, be sure to pull off of the road completely.
- When using your trailer, you are towing extra weight and a bigger vehicle. You must allow more time for braking, slowing, stopping and starting, especially when driving downhill, and allow more room for turns, corners, and passageways.
- Experiment with the loaded trailer in an uncongested area until you become familiar with how your bike handles towing a trailer.
- Avoid rocks, curbs, hard braking and sudden swerving. Avoid riding over obstacles with one wheel, as this may cause the trailer to tip over.
- Use good judgment when deciding if weather, road or traffic conditions are safe to use a Burley. Recommended temperature limits for using a Burley trailer are 20°F to 100°F (-7°C to 38°C).
- Children must be able to sit upright without support and have adequate neck strength to support their heads before being carried in a trailer. Consult a pediatrician to determine if a child is of sufficient developmental age to be carried in a bicycle trailer.
- Always ride with the cover down to protect children from flying debris.
- Passengers must wear a bicycle helmet that meets applicable safety standards.
- The rider of the bicycle must be at least 16 years old.
- Bicycle trailers pulled by an Electric Powered Assist Cycle (EPAC) can be restricted by law.
- Recommended speed limits:
  - 15 mph (24 km/h) on smooth, straight roads
  - 5 mph (8 km/h) when turning or on uneven roads
- Trailer weight must be properly distributed for safe handling. The downward force at the end of the tow bar, where it meets the bike, should be between 2 lbs and 20 lbs (1 and 9 kg). To measure this, load your trailer and place next to bathroom scale. Step on scale and note your weight. While on scale, lift up the end of the towbar 1 foot (30 cm) off the ground and note weight again. The weight difference is the downwards force on the tow bar. If the weight is too low, the rear wheel of the bicycle could lose traction. If it is too high the hitch may be overloaded.

## Maximum Capacities

- Nominal Load:
    - 100 lbs (45 kg), one or two children + cargo
  - Total Weight (Trailer + Load):
    - 141 lbs (64 kg)
  - Maximum Weight of Child: 40 lb (18 kg)
  - Maximum standing height of child (without helmet): 41.25 in (105 cm)
  - Minimum Age of Child:
    - When Biking: 12 months
    - When Strolling: 6 months\*
  - \*Unless using a Burley approved accessory
- Always comply with local regulations for maximum trailer weight.

## Box Contents:

- 1 Trailer
- 1 Flag
- 2 Wheels
- 1 Tow bar/ 1-Wheel Stroller Kit & Hitch
- 2 Quick Receiver
- 2 Quick Receiver Sleeves



## Burley Trailer Guide:

1. Roll Bar/Handlebar Lever
2. Adjustable Suspension
3. 20" Premium Wheels
4. Flag Mount
5. Quick Receiver
6. Skid Guard
7. Light Loops
8. Roll Bar/Handlebar
9. Tow Bar
10. Frame Latches (under cover)
11. Brake Lever
12. 1-Wheel Stroller Kit
13. Jogging Tether
14. Identification of Trailer Model

## Opening Your Trailer

1. Lift upper frame at rear (Figure 1).
2. Pull middle frame tube towards you (Figure 2).
3. Squeeze frame tubes together to latch securely in place (Figure 3).

NOTE: Opening the trailer is easiest when the seat is in the most reclined or middle recline position.

## Closing Your Trailer

1. Remove passengers and cargo, and then remove the tow bar and both wheels.
2. From the front of the trailer, lift the cover then press the yellow release latches and pull the rear frame through (Figure 4).
3. Fold flat.

NOTE: Damage to windows can occur if trailer is folded with wheels installed.

### **WARNING**

Care must be taken when folding and unfolding to prevent finger entrapment.

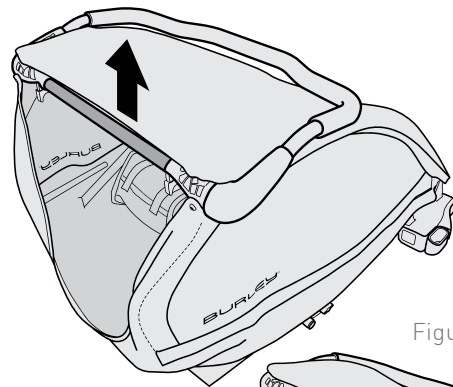


Figure 1

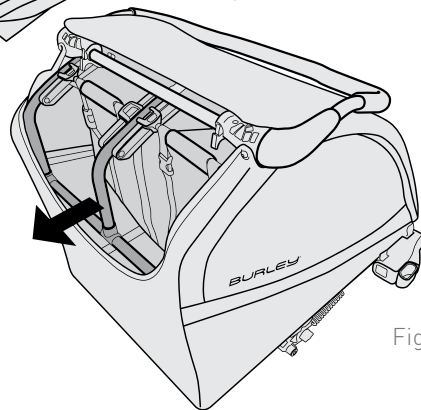


Figure 2

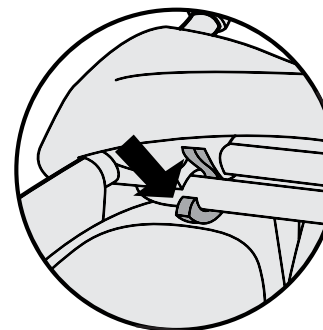


Figure 3

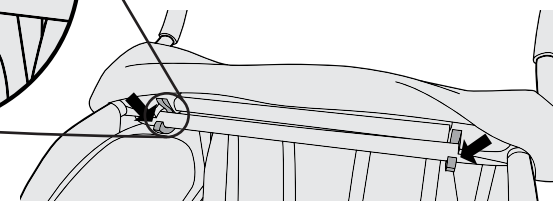


Figure 4

## Adjusting the Suspension

1. There are 5 adjustment set points (Figure 5). Rotate adjustment knob to set suspension. Top position is for lightest loads, bottom position for heaviest loads. Trailer should be used with left and right suspension set the same.

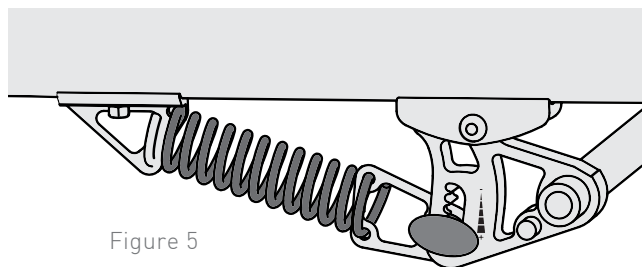


Figure 5

## Attaching the Wheels

1. Push in the rubber button on the outside of the wheel hub (Figure 6).
2. Insert wheel axle into axle receiver, and then release the button (Figure 7). Pull firmly on wheel to confirm the axle is fully engaged.

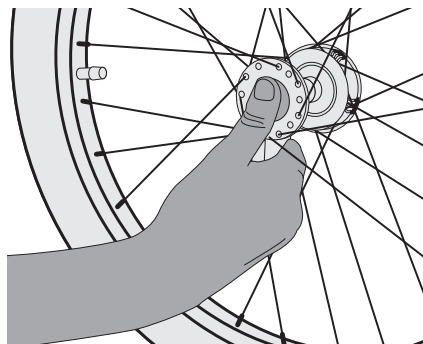


Figure 6

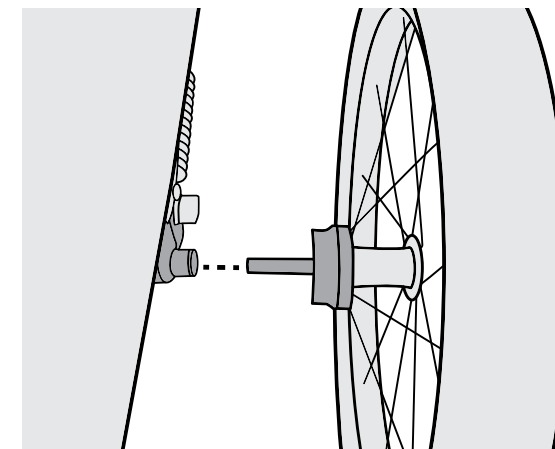


Figure 7

## Installing the Quick Receivers

1. Position the Quick Receiver as shown (Figure 8).
2. Slide the Quick Receiver over the aluminum receiver mounts until fully seated (Figure 8).
3. Insert the yellow sleeve into the Quick Receiver, with the arrows pointed up, until it is flush with the Quick Receiver (Figure 9).
4. Repeat on the opposite side.

Note: The underside of the Quick Receivers are marked with "R" for Right and "L" for Left to denote which side they should be used on.

Note: If you need to remove the Quick Receivers, insert a flat, thin item (such as a key or flathead screwdriver) into the front section of the forward slot on the underside of the receiver to depress the retaining tab (Figure 10). After the retaining tab has been depressed, slide the yellow insert sleeve out of the Quick Receiver by pushing it from the rear.

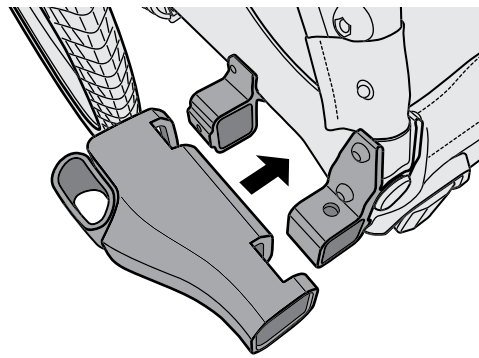


Figure 8

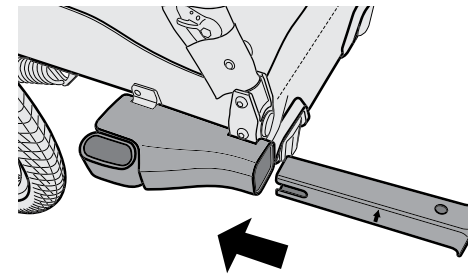


Figure 9

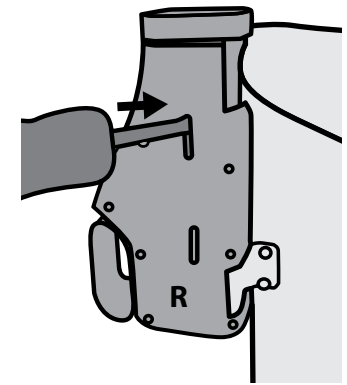


Figure 10

## Installing the Tow Bar

1. Slide the tow bar into the Quick Receiver until the primary retaining pin engages with the tow bar (Figure 11).
  - While inserting the tow bar, you should see the release handle move outward and then return to its original position. The tow bar is not secure until the release handle has returned to its original position (Figure 12).
3. **Pull on the tow bar to ensure that it is securely attached to the Quick Receiver.**
4. Depress the button on top of the secondary retaining pin and insert it into the aligned holes through the Quick Receiver and tow bar (Figure 13).

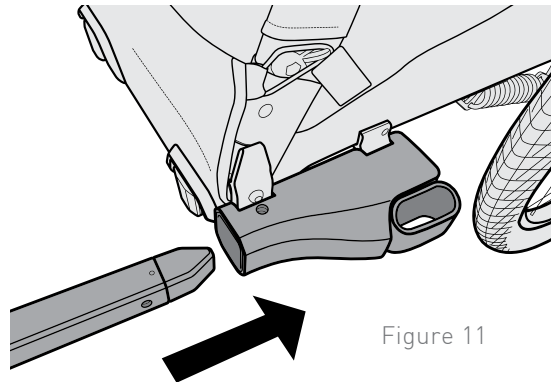


Figure 11

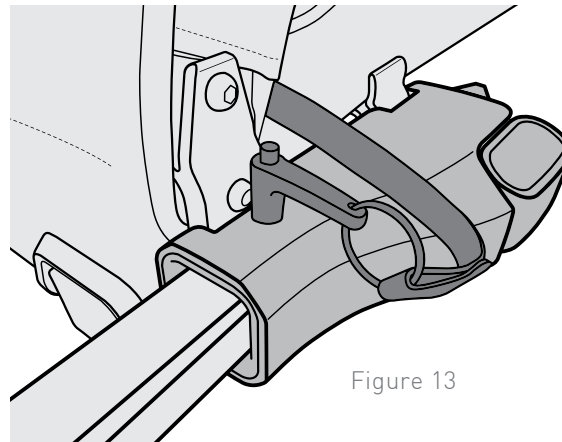


Figure 13

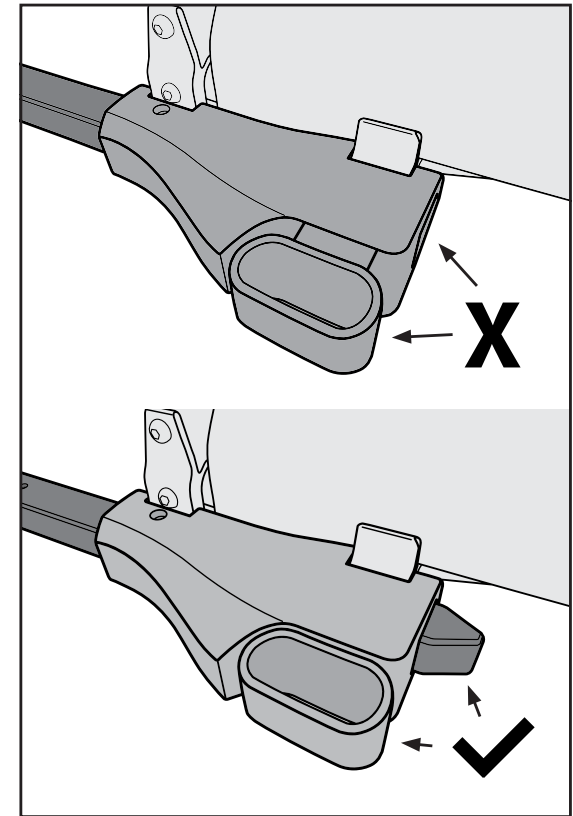


Figure 12

## Removing the Tow Bar

1. Depress button and remove the secondary retaining pin.
2. Pull the Quick Receiver release handle and remove the tow bar.

## Converting to Stroller Mode

1. Pull fork as shown (Figure 14), then rotate wheel down fully. Fork will automatically secure into the locked position.
2. Adjust tow bar into the strolling position (Figure 15) by removing the secondary retaining pin and pulling on the Quick Receiver release handle, sliding the tow bar further in towards the trailer until it locks into place, and then re-installing the secondary retaining pin.

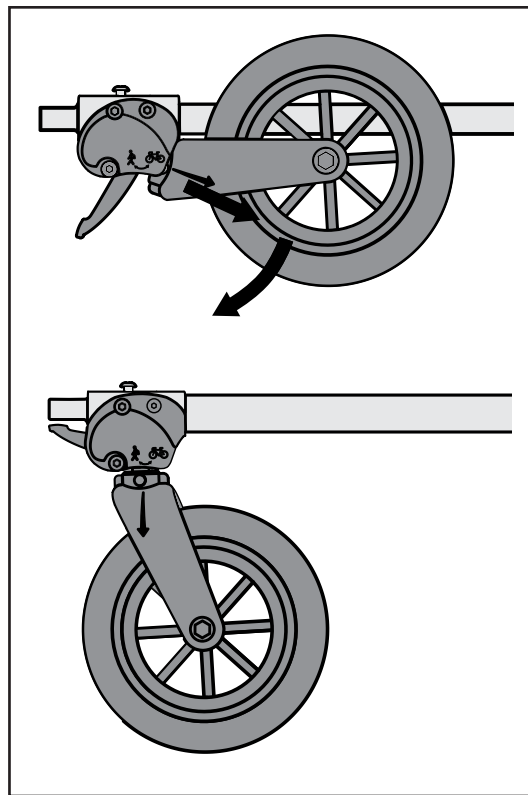


Figure 14

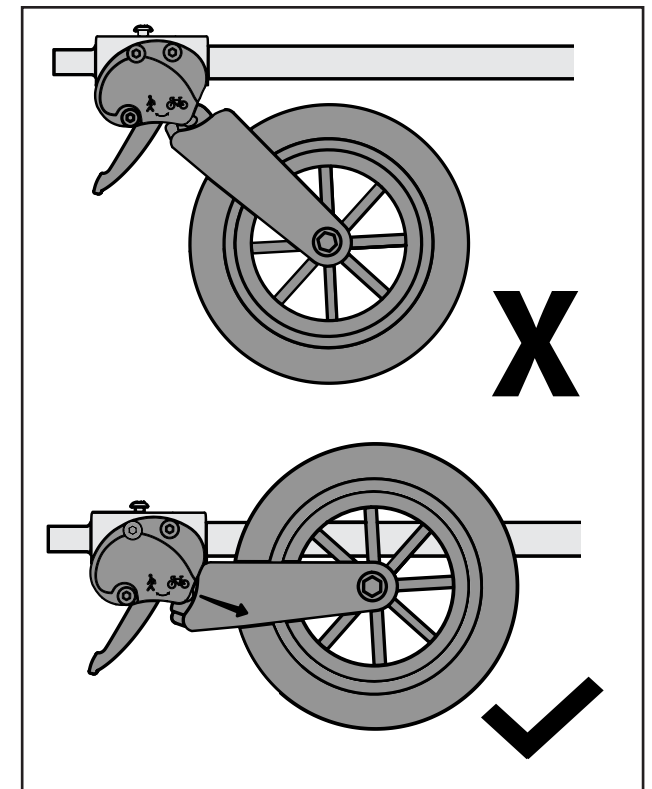


Figure 17

## Converting to Trailer Mode

1. Pull fork down (Figure 16) and rotate up into trailer mode as shown. Fork will automatically lock into trailer position when positioned correctly (Figure 17).
2. Adjust tow bar into trailer position by removing the secondary retaining pin and pulling on the Quick Receiver release handle, sliding the tow bar out away from the trailer until it locks into place, and then re-installing the secondary retaining pin.

### WARNING

Stroller wheel must always be folded up, in trailer mode, before pulling behind a bicycle. Failure to position stroller wheel in trailer mode before cycling could result in an accident and serious injury or death.

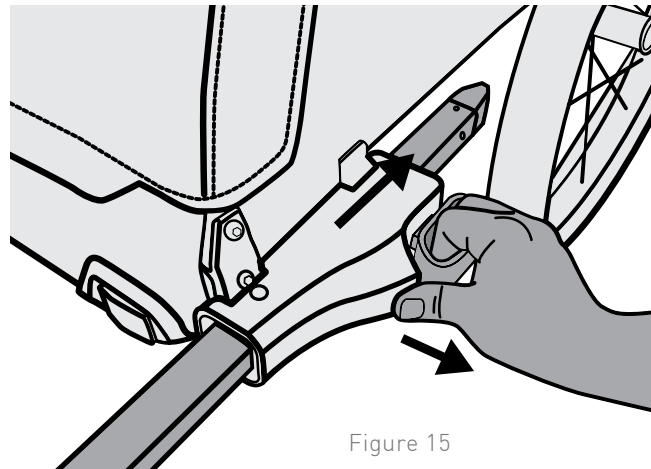


Figure 15

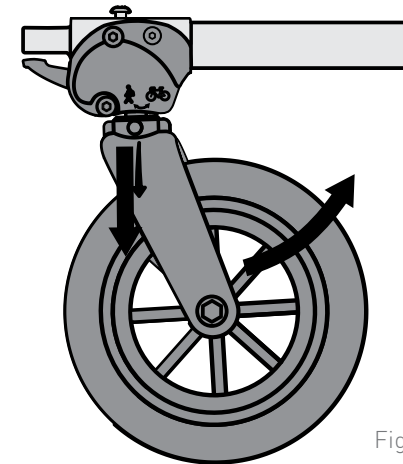


Figure 16

## Locking the Brake

1. To lock the brake, slide the lever to the right (Figure 18). To release the brake, slide the lever to the left.

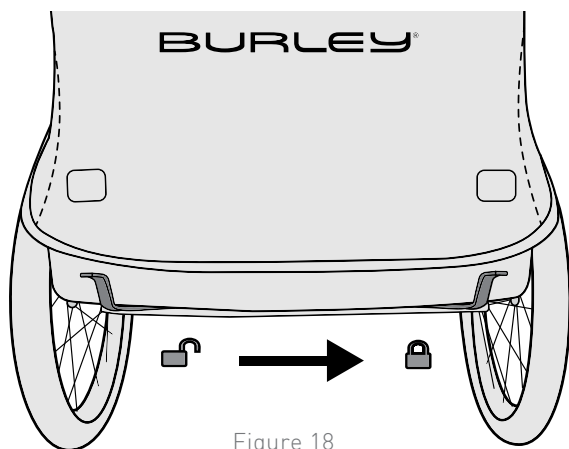


Figure 18

## Adjusting the Handlebar

1. **Tow mode:** Always rotate the handlebar forward when trailer is in towing mode (Figure 19A). The handlebar should be horizontal and parallel to the ground, such that the mark on the handlebar is aligned with the bolt that attaches the cover (Figure 20).
2. **Stroll / Jog mode:** The handlebar may be rotated to serve as a handlebar while trailer is in strolling or jogging mode (Figure 19B). Open lever to rotate (Figure 20) and close lever to lock in place.

Note: Always use the jogging tether when used as a stroller.

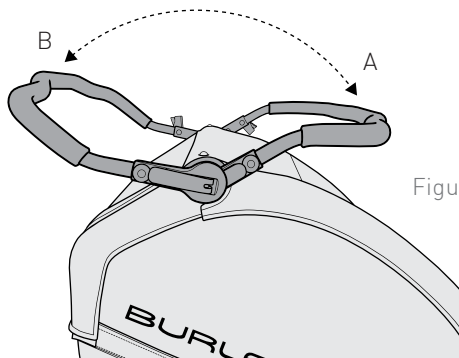


Figure 19

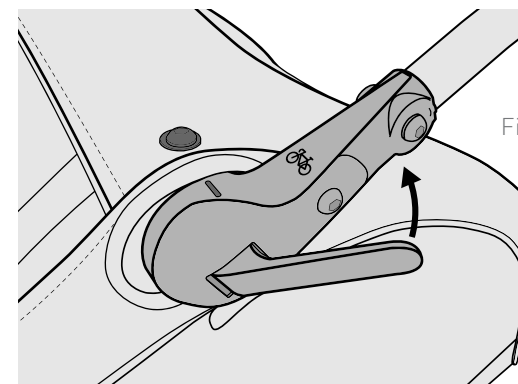


Figure 20

## Securing the Cover and Flag

1. Insert hook into loop and pull up on webbing to tighten the fit (Figure 21).
2. Depress the yellow button and slide the flag pole into hole on flag holder. To release, push button and lift flag pole out (Figure 22).

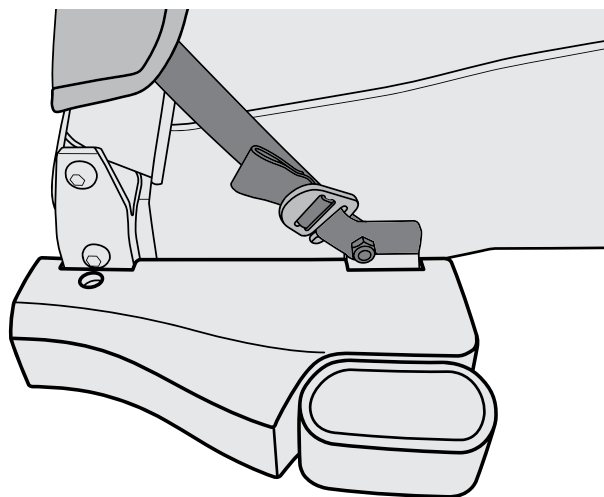


Figure 21

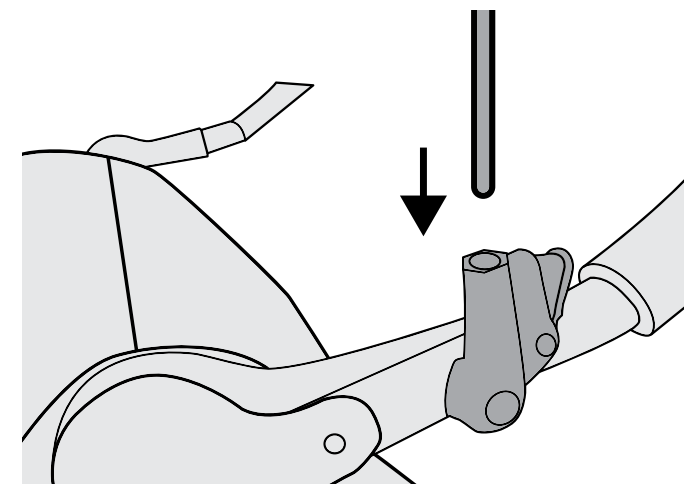


Figure 22

## Installing Additional Lights

Fabric loops are located on the back of the bag and should be used to attach additional lights and/or reflectors (See page 4).



## Adjusting the Independent Recline

1. To adjust the independent recline, squeeze the yellow button on the bottom of the seat support, slide to the desired setting and release the yellow button (Figure 23).
2. When locking in place, align the marks on the seat with one of the 3 recline positions on the frame (Figure 24).
3. Pull firmly to ensure the seat is locked in place.

Note: Do not allow child play with the yellow recline button or recline track.

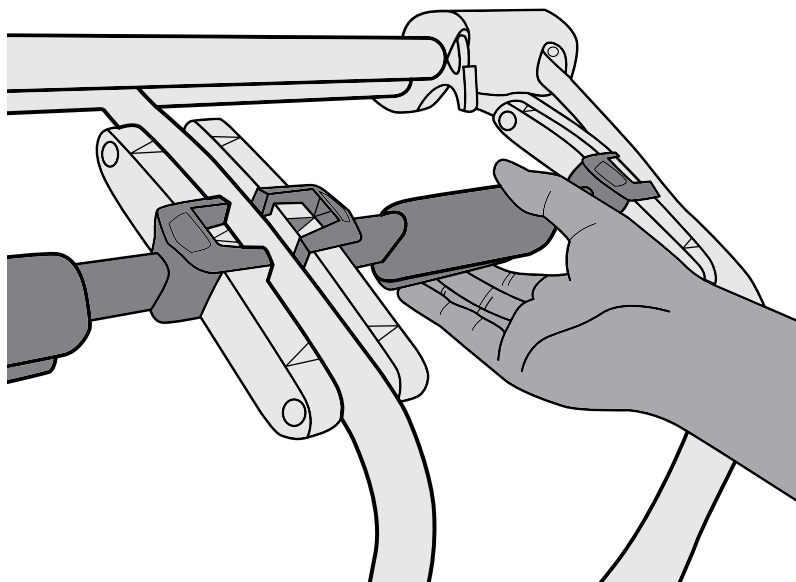


Figure 23

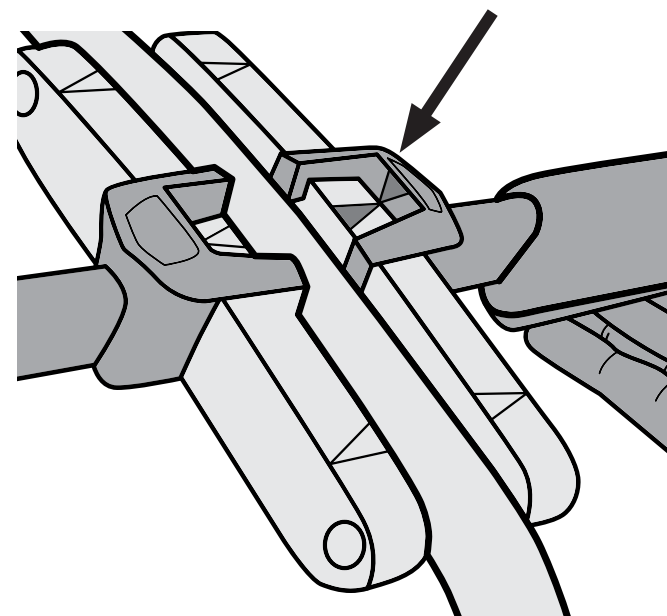


Figure 24

## Securing Your Child

1. Before loading or unloading your children, set the parking brake. After loading, secure and adjust the harnesses. Snap shoulder straps & waist straps into 5-point harness buckle and adjust straps so they are secure (Figure 25). Fasten and adjust lap belt(s) to fit securely.
2. To remove your children, simply press the yellow release button on the 5-point harness (Figure 25a).
3. When using double trailer with one child, always seat the child in the right side position (Figure 26).

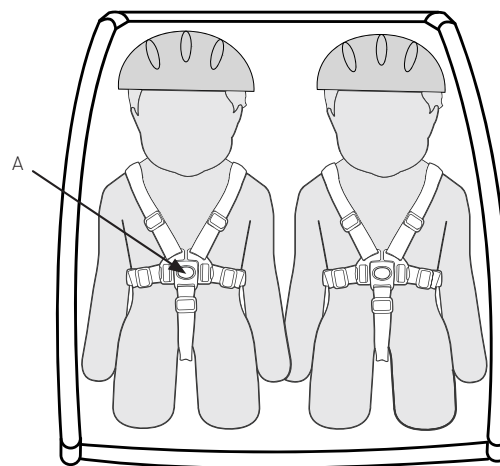


Figure 25

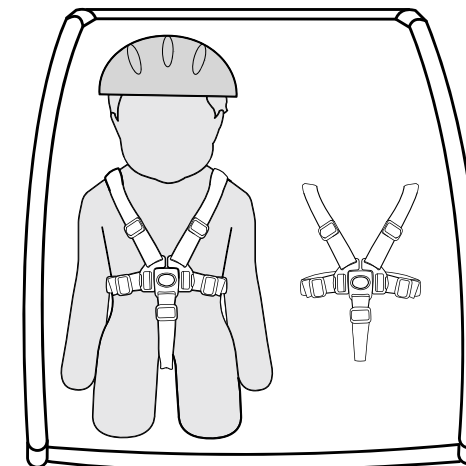


Figure 26

### **WARNING**

Avoid serious injury from falling or sliding out.  
Always use 5-point harness.

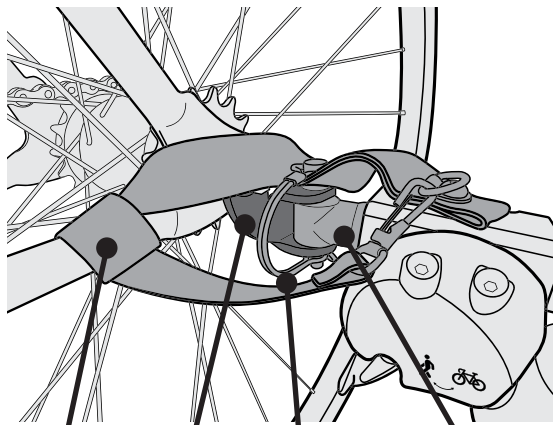
## Hooking up Your Trailer

1. **Quick Release or Nuted Axle:** Remove quick release skewer or nut from the left side of bike's rear wheel axle. Install hitch between quick release or nut and frame (Figure 27). Tighten the quick release or nut following manufacturer's recommendation. The hitch can remain on the bike when trailer is removed. Consult Burley.com for accessories designed to help fit your trailer to your bike.

**Thru Axle:** Consult Burley.com to obtain proper fit and installation to your bike (Figure 28).

2. **Hooking the tow bar to the hitch:** Insert flex connector in between the two tabs on the hitch (Figure 29), such that all the holes are aligned. Insert retaining pin and close retainer (Figure 30). Wrap safety strap around the frame of the bike twice and latch to the D-ring on the tow bar (Figure 31).

3. **Removing the tow bar from the hitch:** Unlatch the safety strap from the D-Ring and unwrap it from the frame of the bike. Open the retainer on the retaining pin and remove it. Then remove the flex connector from the hitch.



Safety strap  
Hitch  
Retaining pin  
Flex Connector

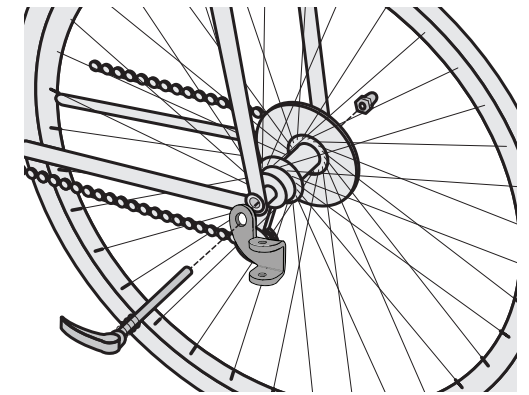


Figure 27



Figure 28

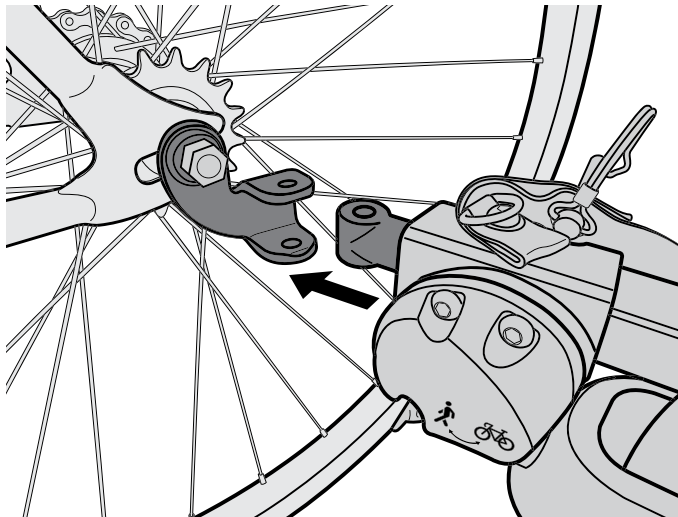


Figure 29

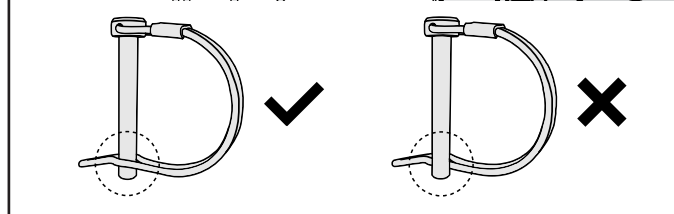
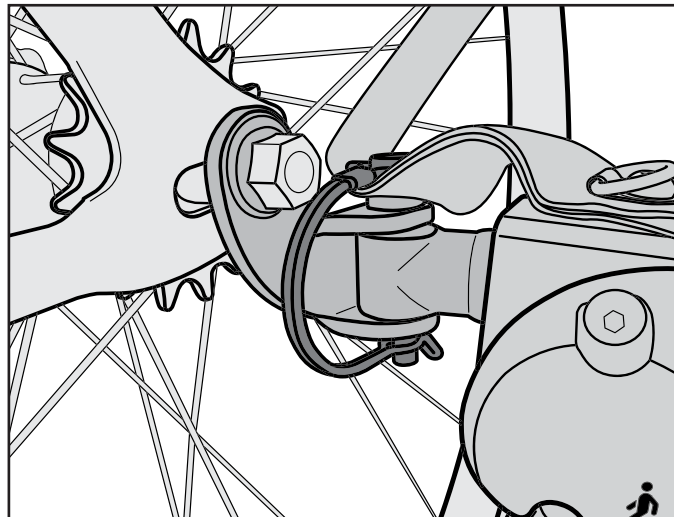


Figure 30

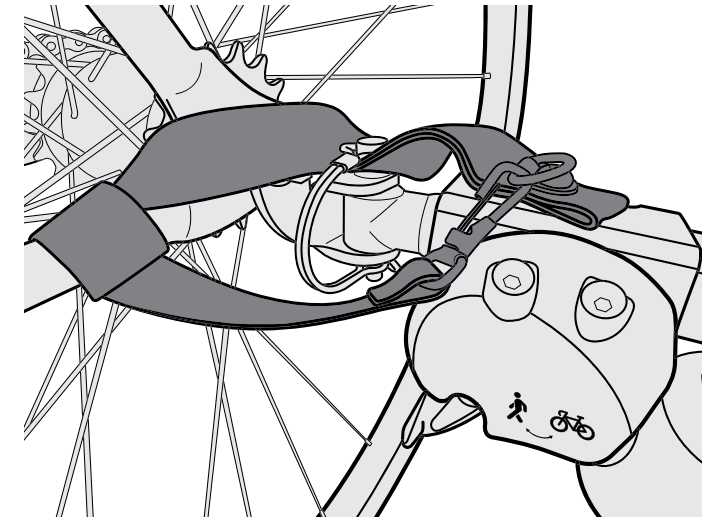


Figure 31

## Before You Ride:

### Check before each use:

1. Wheels are properly secured to the trailer
2. Tires are inflated to recommended pressure on the tire sidewall
3. Quick Receivers are properly attached to the trailer (with yellow sleeve fully inserted)
4. Tow bar is properly secured to the trailer
5. Hitch is properly secured to the bicycle
6. Quick Receiver primary retaining pin is secured and secondary retaining pin is installed
7. Hitch retaining pin is secured and safety strap is installed
8. Load does not exceed 100 lbs (45 kg)
9. Weight of tow bar at hitch is greater than 2 lbs (1 kg) but does not exceed 20 lbs (9 kg) with fully loaded trailer
10. Bicycle is in proper working order, especially brakes and tires (refer to bicycle manufacturer's instructions)
11. All passengers are wearing a helmet
12. Safety flag is installed
13. Child(ren) are properly secured with harness and lap belt
14. Cover is installed and closed
15. Objects in the storage area cannot actuate yellow recline button
16. Lighting is adequate for riding conditions
17. Suspension is adjusted to the same setting on both sides of the trailer
18. Handlebar is in the correct position
19. Check that the parking brake is released before biking.

### Check monthly:

- Inspect tow bar, hitch, frame tubing, flex connector and hardware for damage
  - Flex Connectors need to be serviced every 3-5 years for safe operation
- Check that bolts are tight
- Inspect tires and wheels for wear, cracks and trueness
- Inspect fabric parts for rips, abrasions, and missing or damaged hardware

Contact your authorized Burley dealer for replacement of any damaged or worn parts.

## Maintaining Your Burley

### Cleaning the Trailer:

- Components such as the Recline and Quick Receivers should be occasionally inspected and cleaned to prevent any debris build up.
- Ensure components are completely dry before storing.

### Storage:

For longer product life, store trailer indoors. If trailer is stored outdoors, protect the trailer with a Burley Storage Cover or a Trailer Storage Bag. The trailer should not be stored at temperatures less than -10°F (-23°C) or greater than 150°F (65°C). Tires should not be stored in contact with windows as window discoloration may result.

### Fabric Care:

Hand wash fabric parts with warm water and mild soap. DO NOT use bleach or solvents. Hang dry trailer cover. Wipe dry and store out of direct sunlight in a dry, well-ventilated area. Clean windows with a damp, soft cloth.

## Burley Limited Warranty:

This Burley trailer is warranted from the date of purchase against defects in materials and workmanship as follows: fabric parts for one year, frame and plastic parts for five years. Your original dated sales or delivery receipt showing the date of purchase is your proof of purchase.

If a defect in materials or workmanship is discovered during the Limited Warranty period, we will, at our sole option, repair or replace your product at no cost to you. This warranty is only valid in the country in which the product was purchased.

The Limited Warranty extends only to the original retail purchaser of this product and is not transferable to anyone who obtains ownership of the product from the original purchaser.

The Limited Warranty does not cover claims resulting from misuse, failure to follow the instructions, installation, improper maintenance and use, abuse alteration, involvement in an accident, and normal wear and tear. The Limited Warranty does not cover products which are used in rental operations and Burley will not be liable for any incidental or commercial damages relating to such use.

TO THE GREATEST EXTENT PERMITTED BY LAW, THIS LIMITED WARRANTY IS EXCLUSIVE AND IN LIEU OF ANY OTHER WARRANTY, WRITTEN OR ORAL, INCLUDING BUT NOT LIMITED TO ANY EXPRESS OR IMPLIED WARRANTY OF MERCHANTABILITY OR FITNESS FOR A PARTICULAR PURPOSE. The duration of any implied warranties, including any implied warranty of merchantability or fitness for a particular purpose that may exist during the express warranty period are expressly limited to the limited warranty period.

Some states and countries do not allow limitations on how long an implied limited warranty lasts; therefore, the above limitation and exclusions may not apply to you.

THE CUSTOMER'S EXCLUSIVE REMEDY FOR BREACH OF THIS LIMITED WARRANTY OR OF ANY IMPLIED WARRANTY OR OF ANY OTHER OBLIGATION ARISING BY OPERATION OF LAW OR OTHERWISE SHALL BE LIMITED AS SPECIFIED HEREIN TO REPAIR OR REPLACEMENT, AT OUR SOLE OPTION. IN ANY EVENT, RESPONSIBILITY FOR SPECIAL, INCIDENTAL AND CONSEQUENTIAL DAMAGES IS EXPRESSLY EXCLUDED.

Some states do not allow the exclusion of limitation of incidental or consequential damages, so the above limitation of exclusion may not apply to you.

For Australian Customers: Our goods come with guarantees that cannot be excluded under the Australian Consumer Law. You are entitled to a replacement or refund for a major failure and for compensation for any other reasonably foreseeable loss or damage. You are also entitled to have the good repaired or replaced if the goods fail to be of acceptable quality and the failure does not amount to a major failure.

This Limited Warranty gives you specific legal rights, and you may have other rights that vary from state to state or country.

For warranty service or replacement part information for the USA or Canada, please contact Burley directly by calling 800-311-5294 or emailing burley@burley.com. For warranty service or replacement part information outside of the USA and Canada please contact the place of purchase for warranty service. Please be prepared to provide the product model, serial number and a description of the warranty issue.

Some replacement parts may be available for purchase after this limited warranty expires. Please visit us at [www.burley.com](http://www.burley.com) or call us at 541-687-1644 for more information.

# WARNHINWEIS

Die Nichtbeachtung der Anweisungen und Sicherheitshinweise in dieser Anleitung kann zu schweren Verletzungen oder zum Tod des Fahrgastes oder Fahrers führen.

- Lassen Sie Ihr Kind nie unbeaufsichtigt
- Vergewissern Sie sich vor Gebrauch, dass alle Verriegelungen geschlossen sind
- Vergewissern Sie sich, um Verletzungen zu verhindern, dass Ihr Kind beim Aus- und Zusammenklappen dieses Produkts nicht in der Nähe ist
- Lassen Sie Ihr Kind nicht mit diesem Produkt spielen
- Dieser Sitz ist für Kinder unter 6 Monaten nicht geeignet (außer es wird ein von Burley zugelassenes Zubehör verwendet)
- Verwenden Sie stets das Rückhaltesystem (5-Punkt-Gurt)
- Prüfen Sie vor Gebrauch, dass die Befestigungsvorrichtungen des Kinderwagens oder der Sitzeinheit oder des Autositzes richtig eingerastet sind
- Dieses Produkt ist zum Joggen oder Skaten nicht geeignet
- Wird ein zweiseitiger Anhänger für nur ein Kind genutzt, muss das Kind immer auf der rechten Seite sitzen.

## **Hinweis: Links und rechts beziehen sich auf einen Blickwinkel bei einer Position hinter dem Anhänger mit nach vorn gerichtetem Blick.**

- Gewährleisten Sie, dass die Kinder nicht mit Fingern, Kleidung, Spielzeugen oder Schnürsenkeln in die Speichen oder andere sich bewegende Teile geraten
- Seien Sie sich der Expositionsgefahren für weniger aktive Anhänger im Fahrzeug wie Wind chill und Wärmeabfuhr bewusst, entweder durch längere Exposition bei kälteren Temperaturen oder durch längere Zeiträume bei wärmeren Temperaturen ohne ausreichende Belüftung oder Feuchtigkeit.
- Auf dem Produkt angebrachte Pakete und/oder Zubehörartikel können das Produkt instabil machen. Instabile gefährliche Bedingungen sind gegeben, wenn Zubehör zum Tragen von Packstücken auf dem Produkt angebracht wird
- Am Schiebebügel und/oder auf der Rückseite der Rückenlehne und/oder auf den Seiten des Fahrzeugs befestigte Lasten wirken sich auf die Stabilität des Fahrzeugs aus
- Bauen Sie KEINEN Autositz oder eine andere Sitzvorrichtung in das Produkt ein
- NICHT mit einer Gesamtlast verwenden, die die Gewichtsgrenzen überschreitet, oder mit mehr Kindern, als für das Fahrzeug vorgesehen. Wird die empfohlene Last überschritten, kann das Fahrzeug instabil werden
- Nehmen Sie KEINE Änderungen am Produkt vor
- Zu hohen Reifendruck vermeiden. Nichteinhaltung des Nenndrucks für die Seitenwand kann zum Platzen des Reifens und zu möglichen Verletzungen führen.
- Verwenden Sie stets die Sicherungsschlaufe an der Griffstange, wenn Sie den Anhänger schieben.
- Schieben Sie den Anhänger nur auf Wegen, die zum Spazierengehen geeignet sind. Nutzen Sie den Anhänger nicht im steilen Gelände, wo das Produkt instabil reagieren könnte. Verwenden Sie den Sportwagen nur auf Wegen, die für das Begehen bestimmt sind.
- Manövrieren Sie nicht über Treppen oder andere Hindernisse, während sich Ihr Kind im Anhänger befindet.
- Nur mit von Burley zugelassenem Zubehör verwenden. Bei der Befestigung des Zubehörs an Ihrem Anhänger sollten Sie zunächst alle im Lieferumfang des Zubehör-Kits beinhalteten Warnhinweise und Anleitungen lesen.

## Bei Verwendung als Fahrradanhänger:

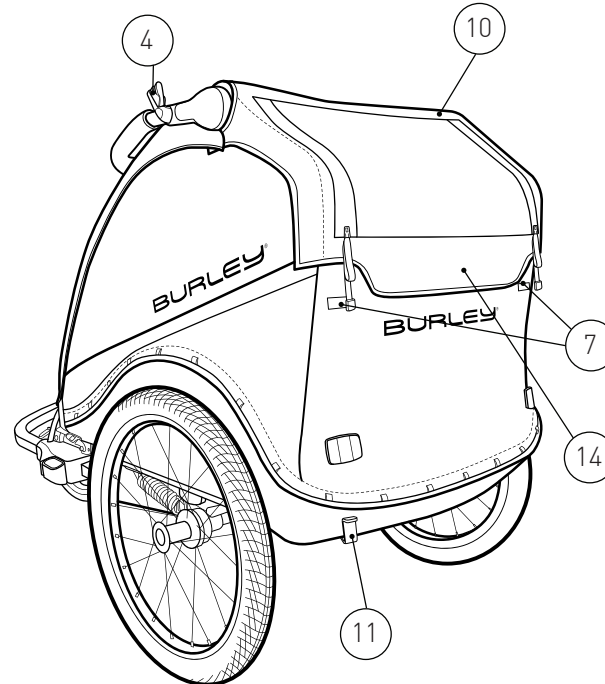
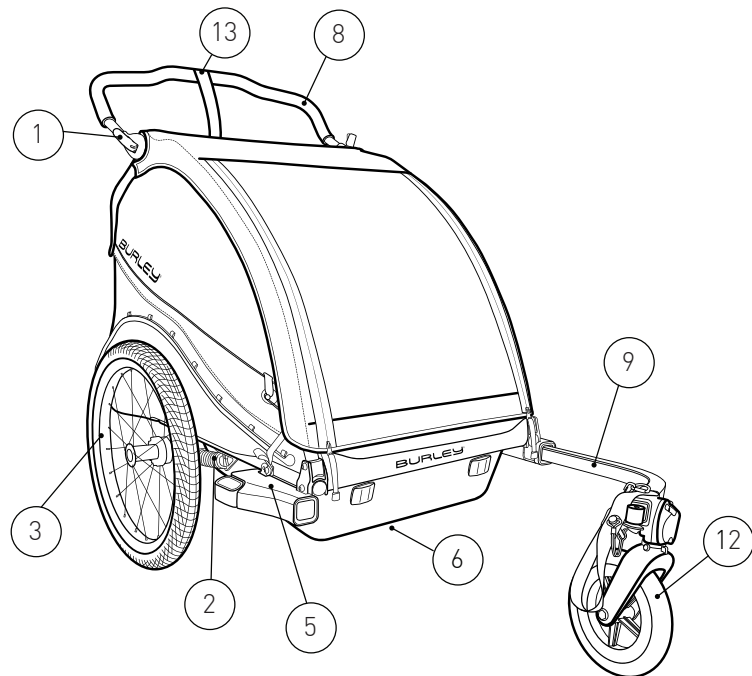
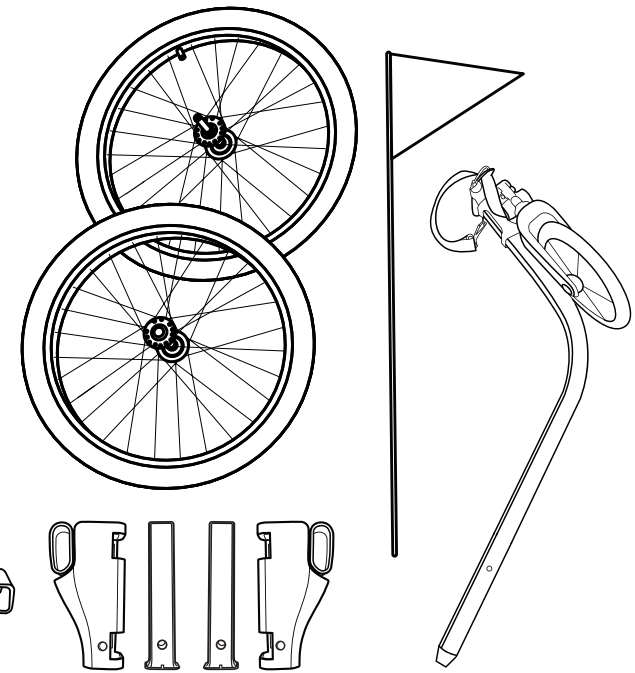
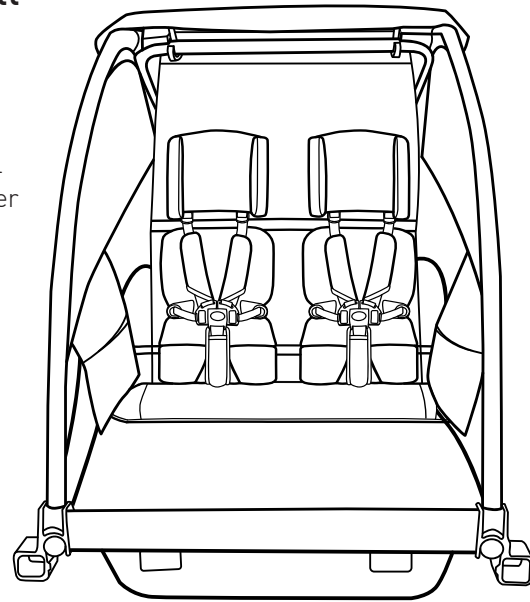
- Es wird empfohlen, eine Sicherheitsprüfung des Zugrads von einem qualifizierten Fahrradmechaniker durchführen zu lassen, bevor der Anhänger angekoppelt wird.
- Achten Sie vor jeder Fahrt darauf, dass der Anhänger nicht die Bremsen, Pedalen oder Lenkung des Fahrrads behindert.
- Es wird empfohlen, einen Rückspiegel am Fahrrad anzubringen.
- Befolgen Sie stets lokale Regelungen bei der Nutzung des Anhängers auf öffentlichen Straßen.
- Fahren Sie das Fahrrad niemals ohne ausreichende Beleuchtung bei Nacht.
- Befolgen Sie alle lokalen Beleuchtungsvorschriften.
- Die mit dem Anhänger mitgelieferten roten Reflektoren müssen auf der Rückseite des Anhängers immer angebracht und sichtbar sein.
- Wenn Sie aus irgendeinem Grund stehen bleiben müssen, z.B. um nach Ihrem Kind zu sehen, für Einstellungen oder wegen eines platten Reifens, achten Sie darauf, die Straße vollständig zu verlassen.
- Wenn Sie Ihren Anhänger verwenden, ziehen Sie zusätzliches Gewicht und ein größeres Fahrzeug. Sie müssen mehr Zeit zum Bremsen, Bremsen, Stoppen und Starten einplanen, insbesondere bei Bergabfahrten, und mehr Raum für Kurven, Kurven und Durchgänge lassen.
- Vermeiden Sie Steine, Bordsteine, hartes Bremsen und plötzliche Richtungswechsel. Vermeiden Sie es, mit nur einem Rad über Hindernisse zu fahren, da dies zum Kippen des Anhängers führen könnte.
- Benutzen Sie den gesunden Menschenverstand bei der Entscheidung, ob Wetter-, Straßen- oder Verkehrsbedingungen für die Nutzung eines Burley sicher sind. Empfohlene Temperaturgrenzen für die Nutzung des Burley-Anhängers sind - 7 °C bis 38 °C.
- Die Kinder müssen in der Lage sein, ohne Stütze aufrecht zu sitzen und ihren Kopf eigenständig zu halten und zu stützen, bevor sie in einem Anhänger befördert werden dürfen. Wenden Sie sich an einen Arzt, um zu bestimmen, ob ein Kind das entsprechende Alter erreicht hat, um in einem Fahrradanhänger befördert werden zu können.
- Fahren Sie immer mit herabgelassener Abdeckung, um die Kinder vor umherfliegenden Teilen zu schützen
- Passagiere müssen einen Fahrradhelm tragen, der den geltenden Sicherheitsstandards entspricht
- Der Radfahrer muss mindestens 16 Jahre alt sein
- Das Ziehen des Fahrradanhängers durch ein EPAC/E-Bike kann gesetzlichen Einschränkungen unterliegen
- Empfohlene Geschwindigkeitsbegrenzungen:
  - 24 km/h auf glatten, geraden Straßen
  - 8 km/h in Kurven oder auf unebenen Straßen
- Das Anhängergewicht muss für eine sichere Handhabung richtig verteilt sein. Die Abwärtskraft am Ende der Anhängerkupplung, wo sie auf das Fahrrad trifft, sollte zwischen 1 und 9 kg liegen. Um dies zu messen, beladen Sie Ihren Anhänger und platzieren Sie ihn neben einer Personenwaage. Treten Sie auf die Waage und notieren Sie Ihr Gewicht. Heben Sie, auf der Waage stehend, das Ende der Anhängerkupplung 30 cm vom Boden ab und notieren Sie das Gewicht erneut. Der Gewichtsunterschied ist die nach unten gerichtete Kraft an der Anhängerkupplung. Wenn das Gewicht zu niedrig ist, könnte das Hinterrad des Fahrrads die Haftung verlieren. Wenn es zu hoch ist, kann die Anhängerkupplung überlastet sein.

## Maximale Kapazitäten

- Nennlast:
    - 45 kg, ein oder zwei Kinder + Ladung
  - Gesamtgewicht (Anhänger + Ladung):
    - 64 kg
  - Maximalgewicht des Kindes: 18 kg
  - Maximale Größe des Kindes im Stehen (ohne Helm): 105 cm
  - Mindestalter des Kindes: 12 Monate
    - Beim Radfahren: 12 Monate
    - Beim Schieben: 6 Monate\*
    - \*Es sei denn, Sie verwenden ein von Burley zugelassenes Zubehörteil
- Befolgen Sie stets lokale Regelungen bezüglich des maximalen Anhänger gewichts.

## Verpackungsinhalt

- 1 Kinderanhänger
- 1 Wimpel
- 2 Räder
- 1 Zugstange/ 1-wheel Buggy-Set & Anhänger
- 2 Schnellaufnahmen
- 2 Schnellaufnahme-Manschetten



## Übersicht Burley-Anhänger

1. Hebel Überrollbügel / Schiebebügel
2. Federungseinstellung
3. Premium-Rad
4. Wimpelhalterung
5. Schnellaufnahme
6. Auffahrschutz
7. Befestigungsschlaufen für Beleuchtung
8. Hebel Überrollbügel / Schiebebügel
9. Zugstange
10. Rahmen-Schnappriegel (unter der Abdeckung)
11. Bremshebel
12. 1-wheel Buggy-Set
13. Sicherheitsschleufe
14. Identifikation des Anhängermodells

## Öffnen Ihres Anhängers

1. Heben Sie den oberen Rahmen an der Rückseite hoch (Abbildung 1).
2. Ziehen Sie das mittlere Rahmenrohr zu sich (Abbildung 2).
3. Drücken Sie die Rahmenrohre zusammen, bis diese fest einrasten (Abbildung 3).

HINWEIS: Das Öffnen des Anhängers ist am einfachsten, wenn sich der Sitz in der tiefen oder mittleren Rücklehn-Position befindet.

## Schließen Ihres Anhängers

1. Entnehmen Sie Passagiere und Ladung. Entfernen Sie die Zugstange und beide Räder.
2. Heben Sie die Abdeckung von der Vorderseite des Kinderanhängers an, drücken Sie die gelben Entriegelungsriegel und ziehen Sie den hinteren Rahmen durch (Abbildung 4).
3. Klappen Sie den Anhänger zusammen.

HINWEIS: Die Fenster können beschädigt werden, wenn der Anhänger mit montierten Rädern zusammengeklappt wird.

### **WARNHINWEIS**

Achten Sie beim Auf- und Zuklappen darauf, keine Finger einzuklemmen.

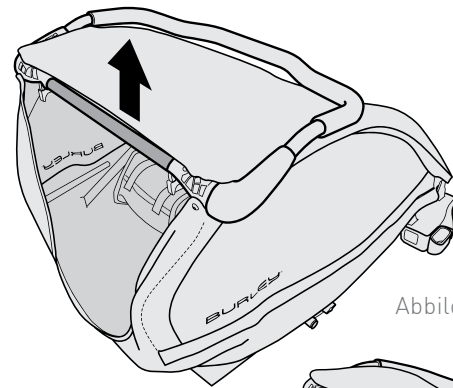


Abbildung 1

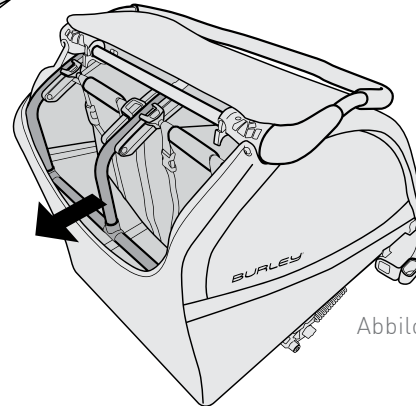


Abbildung 2

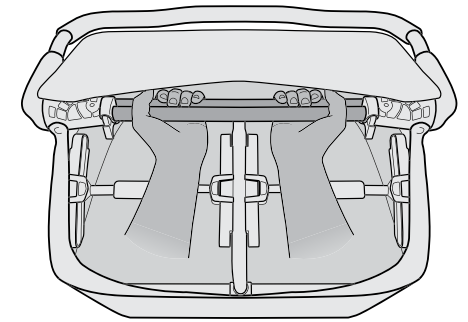
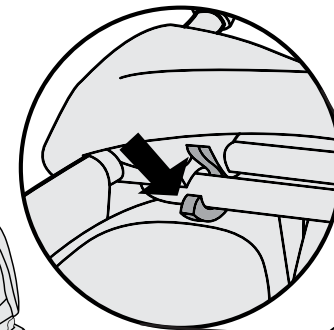


Abbildung 3

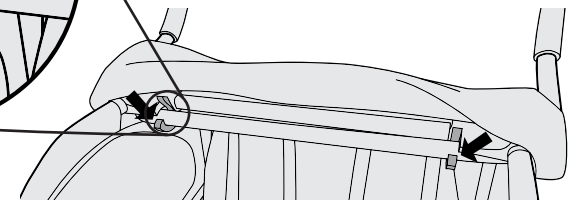


Abbildung 4

## Einstellen der Federung

1. Es gibt fünf Einstellpunkte (Abbildung 5). Drehen Sie den Einstellknopf, um die Federung einzustellen. Obere Stellung für leichteste Ladungen, untere Stellung für schwerste Ladungen. Der Anhänger ist nur zu benutzen, wenn die linke und rechte Federung gleich eingestellt sind.

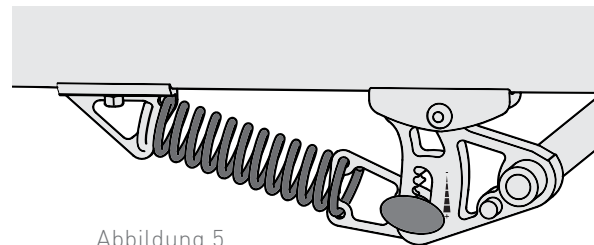


Abbildung 5

## Befestigung der Räder

1. Den Gummiknopf an der Außenseite der Radnabe drücken (Abbildung 6).
2. Schieben Sie die Radachse in die Achsenhalterung und lassen Sie den Knopf anschließend los. Ziehen Sie fest an dem Rad, um sich zu vergewissern, dass die Achse vollständig eingerastet ist (Abbildung 7).

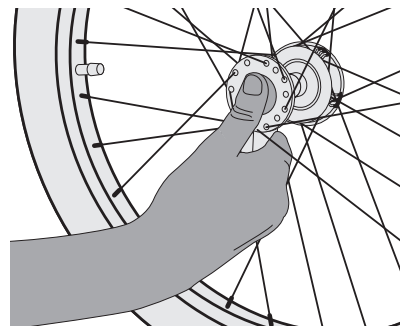


Abbildung 6

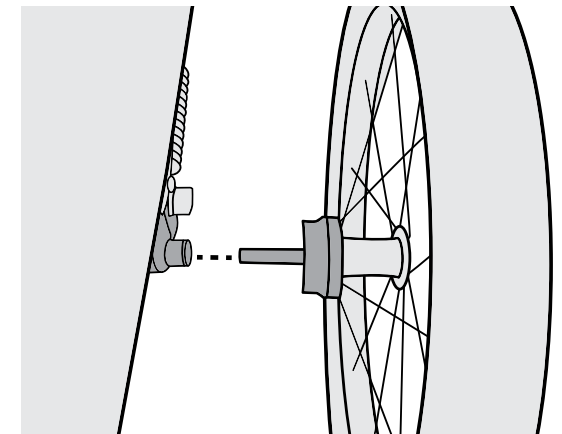


Abbildung 7

## Installieren der Schnellaufnahme

1. Positionieren Sie die Schnellaufnahme wie gezeigt (Abbildung 8).
2. Schieben Sie die Schnellaufnahme über die Aluminium-Aufnahmen, bis voll verbunden (Abbildung 9).
3. Führen Sie das gelbe Verbindungsstück, die Pfeile nach oben zeigend, in die Schnellaufnahme, bis es bündig mit der Schnellaufnahme abschließt (Abbildung 9).
4. Auf der gegenüberliegenden Seite wiederholen.

Hinweis: Die Unterseite der Schnellaufnahme ist mit "R" für Rechts und "L" für Links gekennzeichnet, um anzugeben, auf welcher Seite sie verwendet werden sollen.

Hinweis: Wenn Sie die Schnellaufnahme entfernen wollen, stecken Sie einen flachen, dünnen Gegenstand (z. B. einen Schlüssel oder Schlitzschraubendreher) in den vorderen Teil des nach vorne gerichteten Spalts an der Unterseite der Schnellaufnahme und drücken die Befestigungslasche (Abbildung 10). Nachdem die Befestigungslasche gedrückt wurde, schieben Sie das gelbe Verbindungsstück aus der Schnellaufnahme, indem Sie es von hinten drücken.

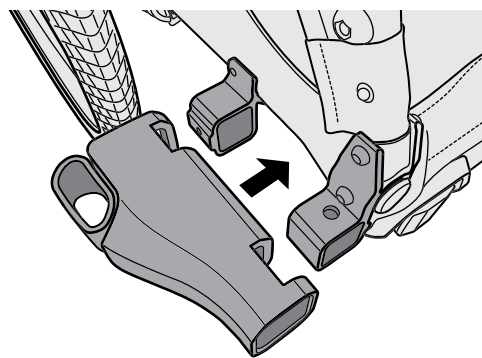


Abbildung 8

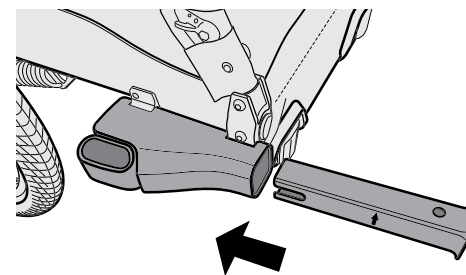


Abbildung 9

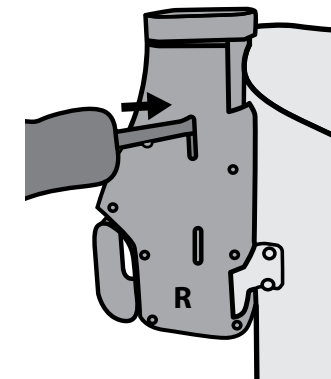


Abbildung 10

## Installieren der Zugstange

1. Schieben Sie die Zugstange in die Schnellaufnahme, bis der Haupt-Sicherungsstift in der Zugstange einrastet (Abbildung 11).

- Beim Einführen der Zugstange sollte zu sehen sein, wie der Auslösegriff nach außen geschoben wird und dann in seine ursprüngliche Position zurückkehrt. Die Zugstange ist nicht gesichert, bis der Auslösegriff in seine ursprüngliche Position zurückgekehrt ist (Abbildung 12).

3. **Ziehen Sie an der Zugstange, um sich zu vergewissern, dass sie sicher an der Schnellaufnahme befestigt ist.**
4. Drücken Sie den Knopf oben auf dem Zweit-Sicherungsstift und führen Sie ihn in die übereinander liegenden Löcher durch die Schnellaufnahme und die Zugstange (Abbildung 13).

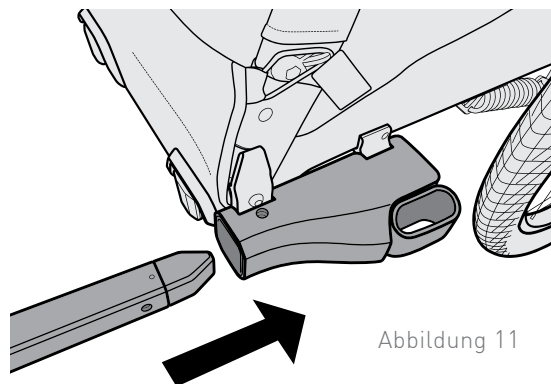


Abbildung 11

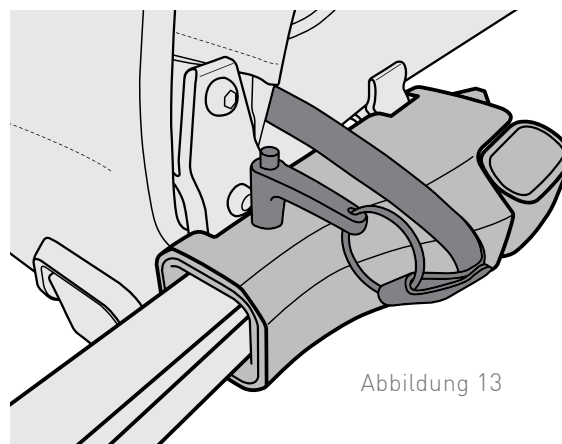


Abbildung 13

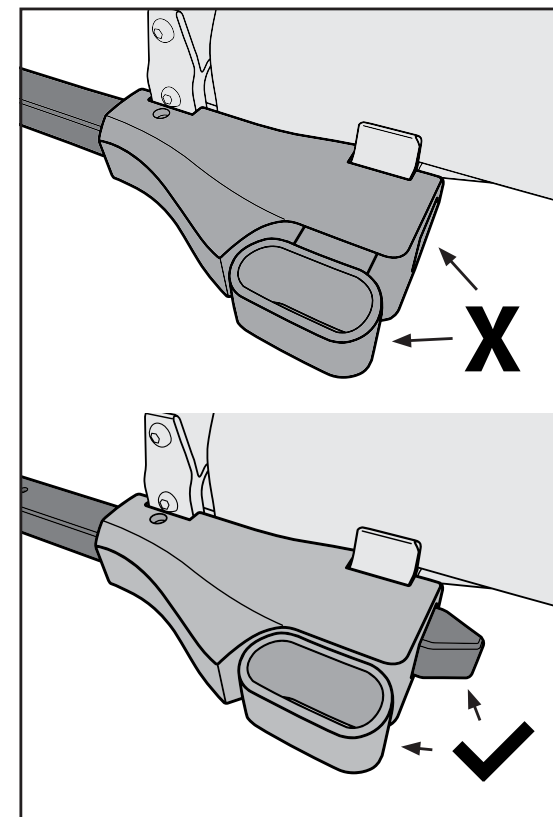


Abbildung 12

## Herausnehmen der Zugstange

1. Drücken Sie den Knopf und entfernen Sie den Zweit-Sicherungsstift.
2. Ziehen Sie am Schnellaufnahme-Auslösegriff und nehmen Sie die Zugstange heraus.

## Umstellung auf Schiebe-Modus

1. Die Gabel wie gezeigt (Abbildung 14) herausziehen, dann das Rad vollständig nach unten drücken. Die Gabel wird dadurch automatisch verriegelt.
2. Stellen Sie die Zugstange in den Schiebe-Modus (Abbildung 15), indem Sie den Zweit-Sicherungsstift entfernen, am Verriegelungsgriff der Schnellaufnahme ziehen und die Zugstange weiter in Richtung Anhänger schieben, bis sie einrastet. Bringen Sie nun den Zweit-Sicherungsstift wieder an.

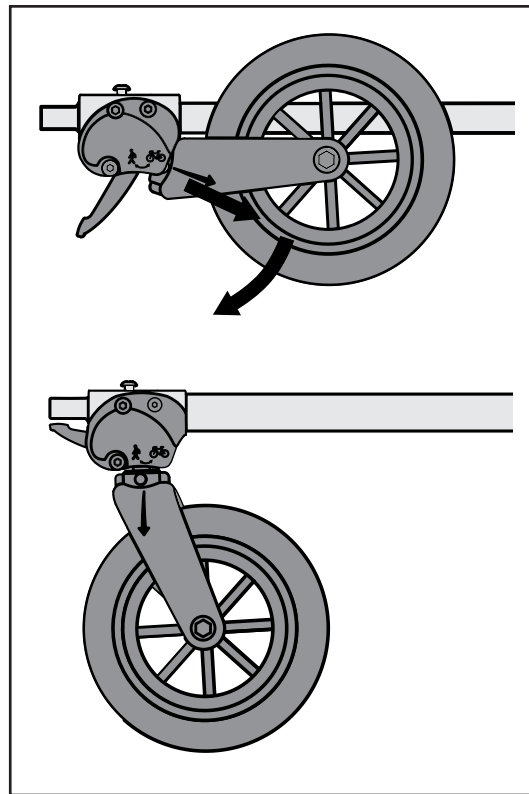


Abbildung 14

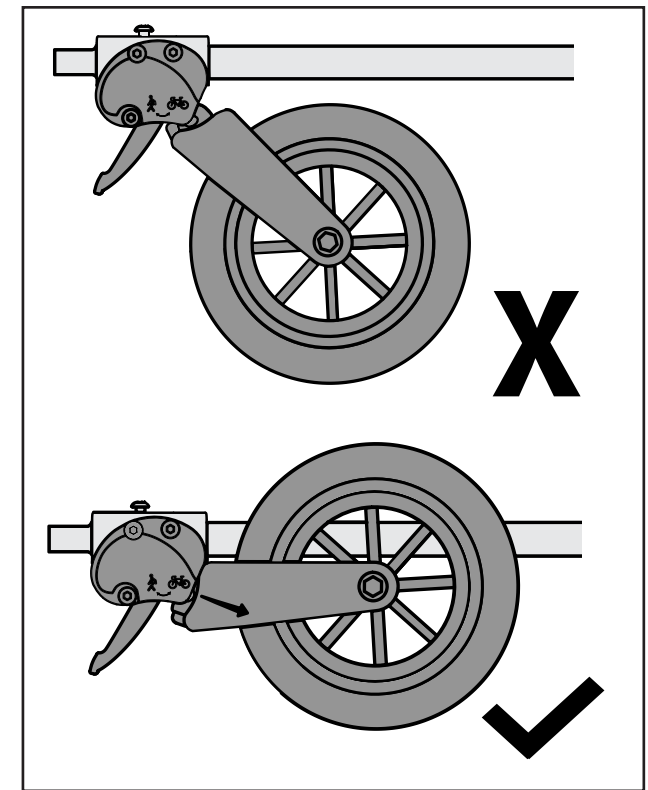


Abbildung 17

## Umstellung auf Anhänger-Modus

1. Die Gabel wie gezeigt (Abbildung 16) nach unten ziehen und in den Jogging-Modus drehen. Die Gabel wird automatisch in der Anhänger-Position verriegelt, wenn sie richtig positioniert ist (Abbildung 17).
2. Stellen Sie die Zugstange in den Anhänger-Modus, indem Sie den Zweit-Sicherungsstift entfernen, am Verriegelungsgriff der Schnellaufnahme ziehen, die Zugstange vom Anhänger weg herausziehen, bis sie einrastet, und dann den Zweit-Sicherungsstift wieder anbringen.

## WARNUNG

Das Laufrad muss stets hochgeklappt sein, bevor der Anhänger hinter ein Fahrrad gespannt werden darf. Wenn das Laufrad vor Verwendung hinter einem Fahrrad nicht in die Anhänger-Position gebracht wird, könnte dies zu einem Unfall und ernsthaften Verletzungen oder zum Tod führen.

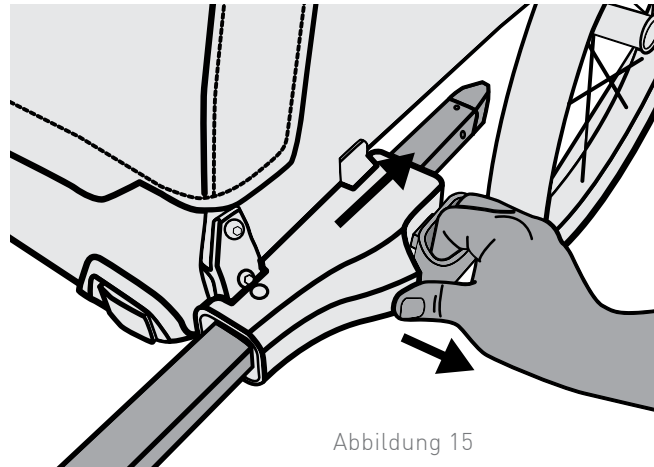


Abbildung 15

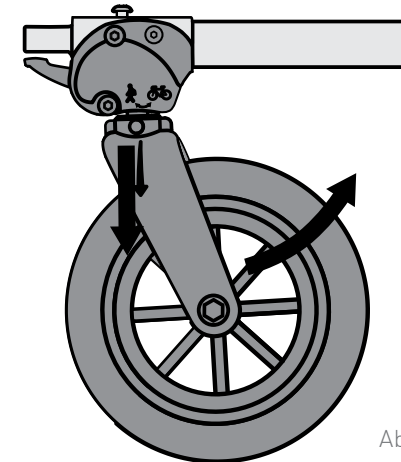


Abbildung 16



## Die Feststellbremse betätigen

1. Den Bremshebel nach rechts umlegen (Abbildung 18). Zum Lösen der Bremse den Feststellhebel wieder nach links legen.

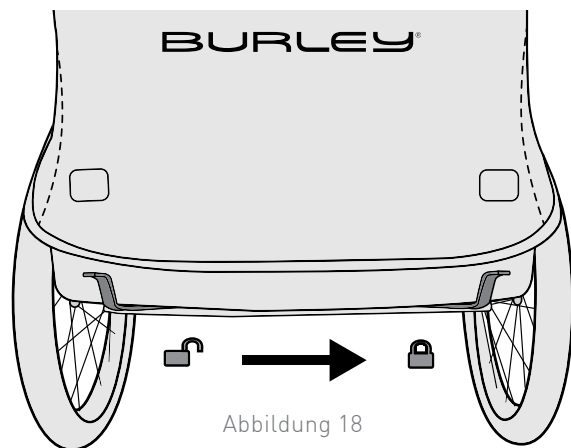


Abbildung 18

## Einstellen des Überrollbügels

1. **Zugmodus:** Immer den Überrollbügel nach vorne drehen, wenn der Anhänger im Zugmodus ist (Abbildung 19A). Der Überrollbügel sollte horizontal und parallel zum Boden sein, so dass die Markierung am Lenker mit der Schraube übereinstimmt, mit der der Deckel befestigt wird (Abbildung 20)
2. **Schiebe-/Laufmodus:** Der Überrollbügel kann umgedreht und als Griffstange genutzt werden, wenn der Anhänger geschoben wird (Abbildung 19B). Ziehen Sie den Hebel, um die Griffstange zu drehen (Abbildung 20).

Hinweis: Nutzen Sie im Schiebe- und Laufmodus immer die Sicherungsschleife, um ein Wegrollen des Anhängers zu verhindern.

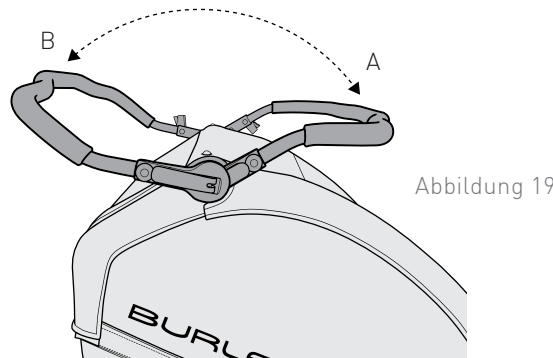


Abbildung 19

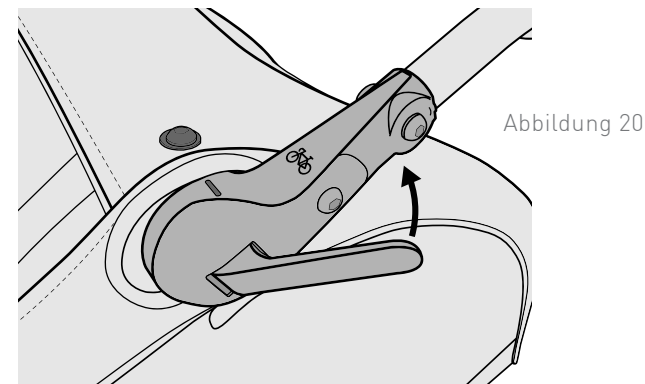


Abbildung 20

## Sicherung von Verdeck und Fahne

1. Führen Sie den Haken in die Schlaufe und ziehen Sie das Gurtband nach oben, um es straff zu ziehen (Abbildung 21).
2. Drücken Sie den gelben Knopf und schieben Sie die Fahnenstange in das Loch an der Fahnenhalterung. Zum Lösen drücken Sie den Knopf und ziehen Sie die Fahnenstange heraus (Abbildung 22).

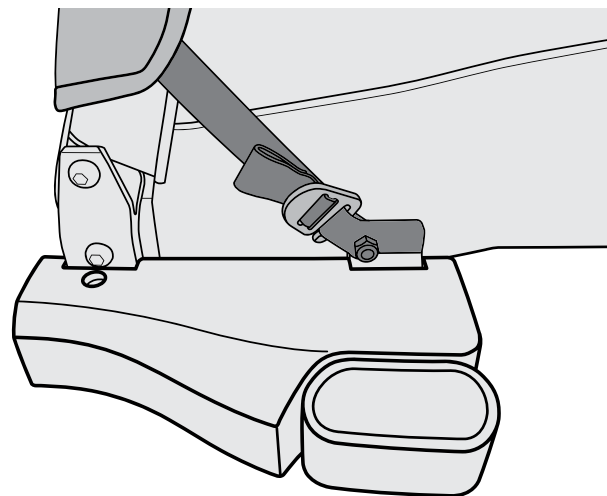


Abbildung 21

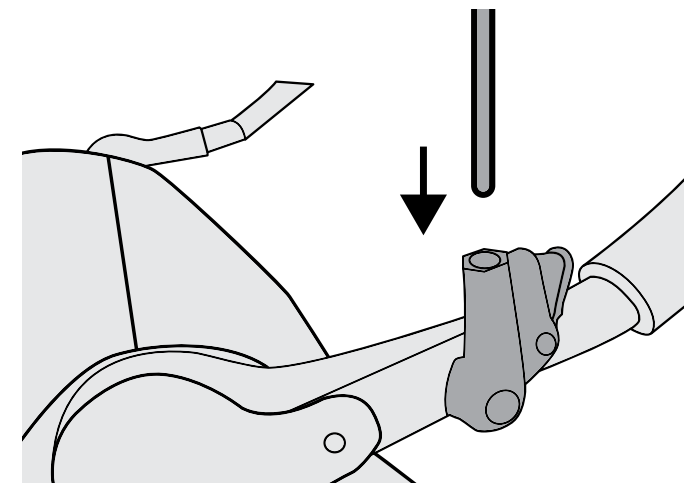


Abbildung 22

## Installieren Sie zusätzliche Lichter

Stoffschlaufen befinden sich auf der Rückseite des Gepäckfachs und sollten zum Anbringen zusätzlicher Lichter und / oder Reflektoren verwendet werden (Siehe Seite 13).

## Individuelles Einstellen der Rückenlehnen

1. Um die individuell einstellbaren Rückenlehnen anzupassen, drücken Sie die gelbe Taste an der Unterseite der Sitzstütze, schieben Sie die Rückenlehne in die gewünschte Position und lassen Sie die gelbe Taste los (Abbildung 23).
2. Richten Sie beim Einrasten die Markierungen am Sitz mit einer der 3 Verstellpositionen am Rahmen aus (Abbildung 24).
3. Ziehen Sie kräftig um sicherzustellen, dass der Sitz fest eingerastet ist.

Hinweis: Lassen Sie Ihr Kind nicht mit der gelben Verstell-Taste oder der Schiene spielen.

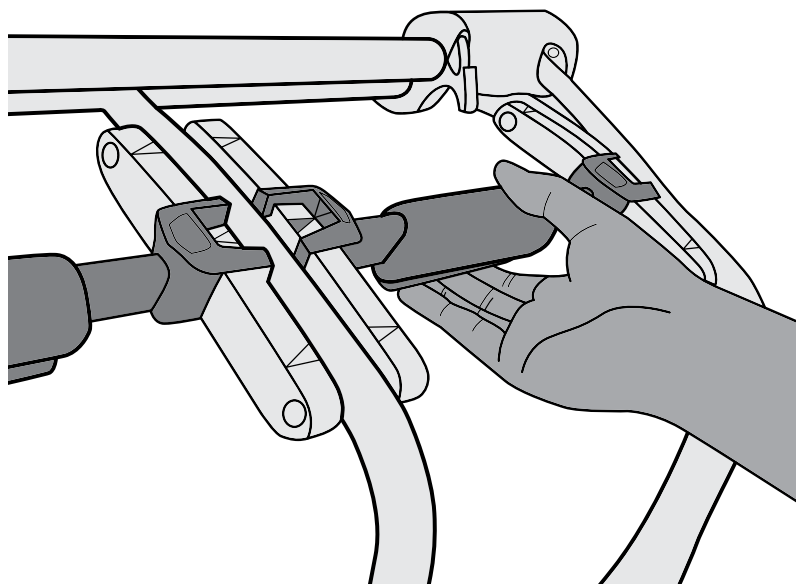


Abbildung 23

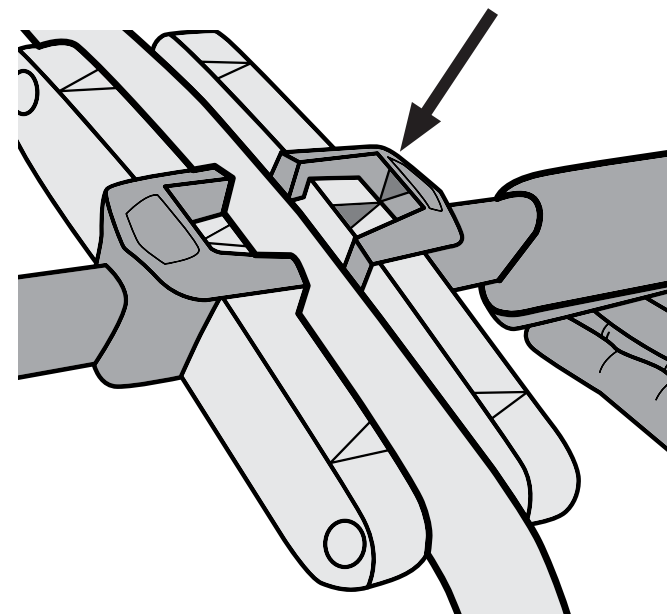


Abbildung 24

## Sicherung Ihres Kindes

1. Vor dem Ein- oder Aussteigen Ihres Kindes die Feststellbremse ziehen. Nach dem Einsteigen angurten und den Gurt entsprechend einstellen. Die Schulter- und Beckengurte im 5-Punkt-Gurtsystem einrasten lassen und so einstellen, dass sie fest sitzen (Abbildung 25). Straffen und den Beckengurt bzw. die Beckengurte entsprechend festziehen, sodass das Kind abgesichert ist.
2. Wenn Sie Ihr Kind herausnehmen möchten, drücken Sie einfach auf den gelben Auslöseknopf des 5-Punkt-Gurts (Abbildung 25a).
3. Wird nur ein Kind in einem zweisitzigen Anhänger transportiert, muss das Kind immer rechts sitzen (Abbildung 26).

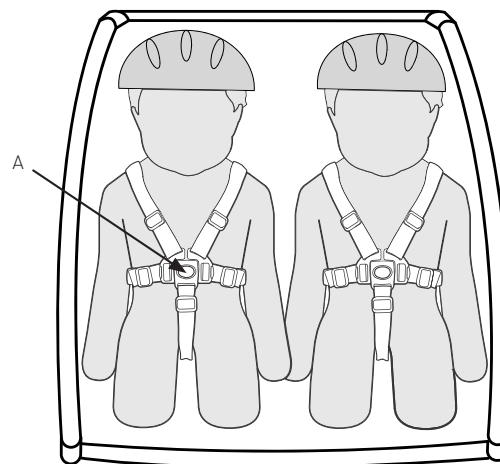


Abbildung 25

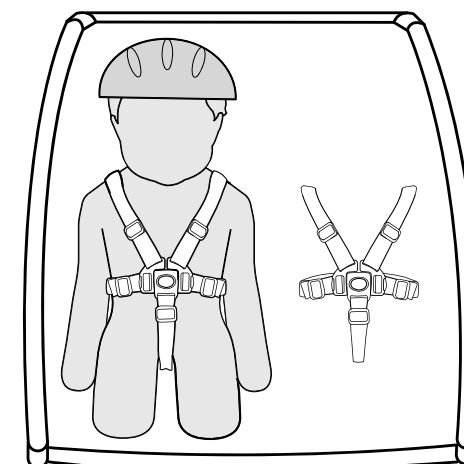


Abbildung 26

### **WARNHINWEIS**

Vermeiden Sie schwere Verletzungen durch Herausfallen oder Herausrutschen. Verwenden Sie stets den 5-Punkt-Gurt.

## Ankoppeln Ihres Anhängers

1. **Montage der Anhängerkupplung an Ihrem Fahrrad:** Entfernen Sie den Schnellverschluss oder die Mutter von der linken Seite der hinteren Radachse des Fahrrads. Montieren Sie die Anhängerkupplung zwischen dem Schnellverschluss oder der Mutter und dem Rahmen (Abbildung 27). Ziehen Sie den Schnellverschluss oder die Mutter gemäß den Empfehlungen des Herstellers fest. Die Anhängerkupplung kann am Fahrrad verbleiben, wenn der Anhänger entfernt wurde.

**Steckachse:** Wenden Sie sich an [Burley.com](http://Burley.com), um Informationen zur korrekten Montage an Ihr Fahrrad zu erhalten (Abbildung 28).

2. **Ankoppeln der Zugstange an der Anhängerkupplung:** Stecken Sie das flexible Verbindungsstück zwischen die beiden Löcher der Anhängerkupplung (Abbildung 29). Stecken Sie den Sicherungsstift hinein und schließen Sie die Arretierung (Abbildung 30). Wickeln Sie den Sicherheitsriemen zweimal um den Fahrradrahmen und befestigen Sie ihn an der Öse an der Zugstange (Abbildung 31).

3. **Die Deichsel von der Kupplung lösen:** Lösen Sie den Sicherheitsriemen vom D-Ring und wickeln Sie ihn vom Fahrradrahmen ab. Öffnen Sie die Arretierung des Halterungsstifts und ziehen Sie den Stift heraus. Entfernen Sie dann das flexible Verbindungsstück von der Kupplung.

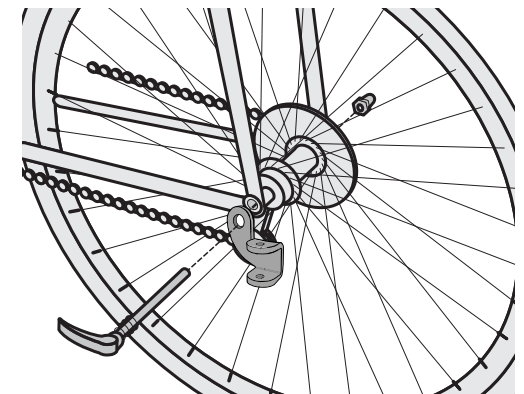
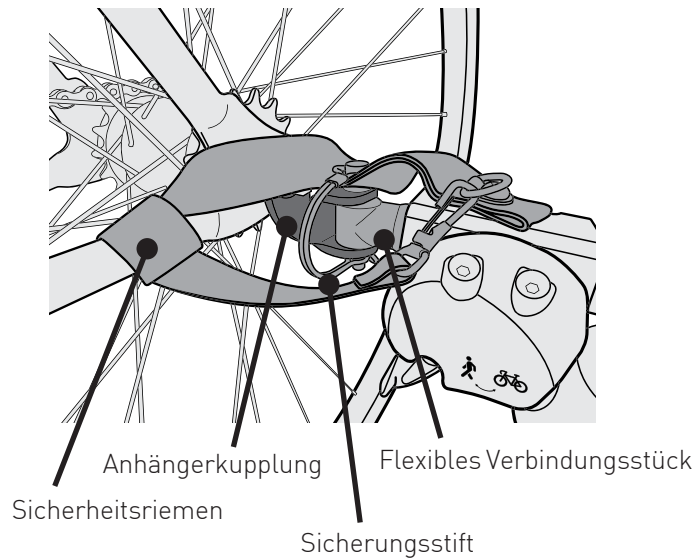


Abbildung 27



Abbildung 28

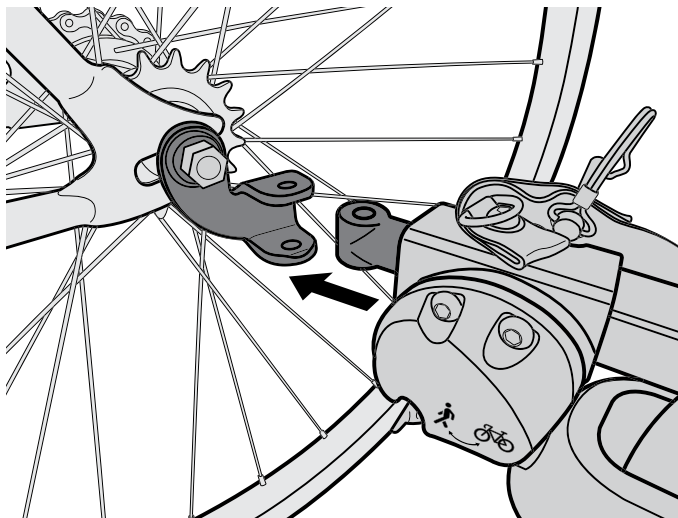


Abbildung 29

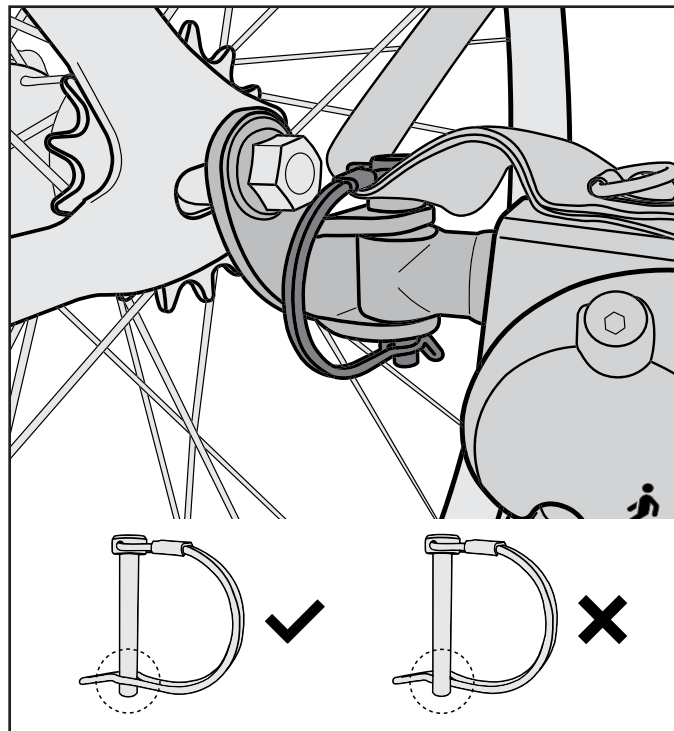


Abbildung 30

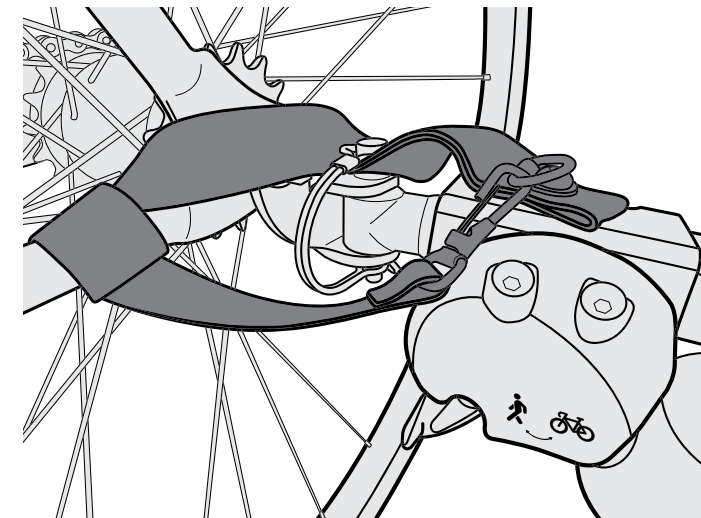


Abbildung 31

## Vor der Fahrt:

### Vor jedem Einsatz zu prüfen:

1. Die Räder sind richtig am Anhänger befestigt
2. Die Reifen sind mit dem auf der Reifenseite empfohlenen Druck aufgepumpt
3. Die Schnellaufnahmen sind ordnungsgemäß am Anhänger befestigt (mit dem gelben Verbindungsstück vollständig eingeführt)
4. Die Zugstange ist ordnungsgemäß am Anhänger gesichert
5. Der Haupt-Sicherungsstift für die Schnellaufnahme ist gesichert, der Zweit-Sicherungsstift ist angebracht
6. Die Kupplung ist ordnungsgemäß am Fahrrad befestigt
7. Der Sicherungsstift für die Kupplung ist gesichert, das Sicherheitsband ist angebracht
8. Die Ladung liegt bei maximal 45kg
9. Das Gewicht der Zugstange an der Anhängerkupplung ist höher als 1kg und liegt bei voll beladenem Anhänger maximal bei 9kg
10. Das Fahrrad ist in gutem Zustand, insbesondere Bremsen und Reifen (siehe Benutzerhandbuch für das Fahrrad)
11. Alle Passagiere tragen einen Helm
12. Der Sicherheitswimpel ist angebracht
13. Das Kind ist / die Kinder sind ordnungsgemäß mit Schulter- und Beckengurt gesichert
14. Das Verdeck ist montiert und geschlossen
15. Gegenstände im Gepäckfach können nicht die gelbe Rücklehn-Taste auslösen
16. Die Beleuchtung ist den Fahrbedingungen angemessen
17. Die Federung ist auf beiden Seiten des Anhängers gleich eingestellt
18. Der Schiebegriff ist in der korrekten Position
19. Vergewissern Sie sich vor dem Radfahren, dass die Feststellbremse gelöst ist

### Monatlich zu überprüfen:

- Untersuchen Sie die Zugstange, die Anhängerkupplung, die Rahmenrohre, das flexible Verbindungsstück und das Gestell auf Schäden
  - Flex-Anschlüsse müssen alle 3 bis 5 Jahre gewartet werden, um die Sicherheit zu gewährleisten
- Prüfen Sie, ob die Bolzen festgezogen sind
- Reifen und Räder auf Abnutzung, Risse und Schäden prüfen
- Untersuchen Sie die Stoffbauteile auf Risse, Abnutzung und fehlendes oder beschädigtes Material

Kontaktieren Sie Ihren autorisierten Burley-Händler für Ersatz bei beschädigten oder abgenutzten Bauteilen.

## Pflege Ihres Burley Anhängers

### Reinigung des Anhängers:

- Komponenten wie das Rücklehn-System oder die Schnellaufnahme sollten gelegentlich überprüft und gereinigt werden, um Ablagerungen zu verhindern.
- Stellen Sie vor der Aufbewahrung sicher, dass die Komponenten vollständig trocken sind.

### Lagerung:

Lagern Sie den Anhänger im Innenbereich, um seine Lebensdauer zu verlängern. Wenn der Anhänger im Außenbereich geparkt wird, schützen Sie ihn mit einer Burley Trailer Transporttasche oder einer Schutzhülle. Der Anhänger darf nicht bei Temperaturen unter -23 °C oder über 65 °C gelagert werden. Die Reifen sollten nicht in Kontakt mit den Fenstern gelagert werden, da dies zum Ausbleichen der Fenster führen kann.

### Stoffpflege:

Reinigen Sie die Stoffteile per Hand mit warmem Wasser und milder Seife oder Reinigungsmittel. Verwenden Sie KEINE Bleich- oder Lösungsmittel. Lassen Sie die Anhängerabdeckung an der Luft trocknen. Trocknen Sie die Abdeckung ab und lagern Sie sie außerhalb der direkten Sonneneinstrahlung an einem trockenen, gut belüfteten Ort. Reinigen Sie die Fenster mit einem feuchten, weichen Tuch.

## Begrenzte Garantie von Burley:

Der Burley-Anhänger ist wie folgt ab Kaufdatum von einer Garantie gegen Material- und Produktionsfehler abgedeckt: Stoffteile über ein Jahr, Rahmen- und Plastikteile über fünf Jahre. Als Kaufbeleg gilt Ihre datierte Original-Kauf- oder Lieferquittung, auf der das Kaufdatum angegeben ist.

Sollte ein Material- oder Produktionsfehler während der begrenzten Gewährleistung festgestellt werden, so werden wir nach eigenem Ermessen Ihr Produkt kostenfrei reparieren oder ersetzen. Diese Gewährleistung ist nur in dem Land gültig, in dem das Produkt erworben wurde.

Die begrenzte Gewährleistung gilt nur für den ursprünglichen Käufer dieses Produkts und ist nicht auf eine Person übertragbar, die das Produkt vom ursprünglichen Käufer übernimmt.

Die begrenzte Gewährleistung gilt nicht für Ansprüche, die aus einem Missbrauch, einer Nichtbefolgung der Anweisungen, der Montageanleitung, einer unsachgemäßen Wartung und Nutzung, einer Zweckentfremdung, der Verwicklung in einen Unfall oder aus einer normalen Abnutzung resultieren. Die begrenzte Gewährleistung gilt nicht für Produkte, die vermietet werden. Burley haftet nicht für jegliche unbeabsichtigte oder kommerzielle Schäden in Verbindung mit einer solchen Nutzung.

SOWEIT PER GESETZ ERLAUBT, IST DIESE BEGRENZTE GEWÄHRLEISTUNG EXKLUSIV UND ERSETZT JEDE ANDERE GEWÄHRLEISTUNG, OB SCHRIFTLICH ODER MÜNDLICH, EINSCHLIESSLICH, JEDOCH NICHT BEGRENZT AUF JEGLICHE AUSDRÜCKLICHE ODER STILLSCHWEIGENDE ZUSICHERUNG DER GEBRAUCHSTAUGLICHKEIT FÜR EINEN BESTIMMTEN ZWECK. Die Dauer jeglicher stillschweigender Gewährleistungen, einschließlich jeglicher stillschweigender Zusicherung der Gebrauchstauglichkeit für einen bestimmten Zweck, die während des Gültigkeitszeitraums der ausdrücklichen Gewährleistung bestehen, sind ausdrücklich auf den Gültigkeitszeitraum der begrenzten Gewährleistung begrenzt.

Einige Staaten und Länder erlauben keine Begrenzung der Gültigkeit einer stillschweigenden, begrenzten Gewährleistung. Daher gelten die obigen Begrenzungen und Ausschlüsse möglicherweise nicht für Sie.

DAS EXKLUSIVE RECHTSMITTEL DES KUNDEN BEI EINER VERLETZUNG DIESER BEGRENZTEN GEWÄHRLEISTUNG, EINER STILLSCHWEIGENDEN GEWÄHRLEISTUNG ODER EINER ANDEREN GESETZLICH ODER ANDERWEITIG HERVORGEHENDEN OBLIEGENHEIT IST WIE HIERIN SPEZIFIZIERT AUF EINE REPARATUR ODER EINEN ERSATZ NACH UNSEREM EIGENEM ERMESSEN BEGRENZT. IN JEDEM FALL IST EINE HAFTUNG FÜR SPEZIELLE, UNBEABSICHTIGTE UND FOLGESCHÄDEN AUSDRÜCKLICH AUSGESCHLOSSEN.

Einige Staaten erlauben nicht den Ausschluss der Begrenzung von unbeabsichtigten oder Folgeschäden. Daher gelten die obigen Ausschlüsse und Begrenzungen möglicherweise nicht für Sie.

Diese begrenzte Gewährleistung gewährt Ihnen spezielle Rechte. Sie haben möglicherweise andere Rechte, die von Staat zu Staat oder Land variieren.

Für Informationen zu Garantieleistungen oder Ersatzteilen für die USA oder Kanada, kontaktieren Sie Burley bitte direkt unter 800-311-5294 oder per E-Mail an [burley@burley.com](mailto:burley@burley.com). Für Informationen zu Garantieleistungen oder Ersatzteilen außerhalb der USA und Kanada, kontaktieren Sie bitte den Händler, bei dem Sie das Produkt erworben haben. Bitte halten Sie das Produktmodell, die Seriennummer und eine Beschreibung des Garantiefalls bereit.

Einige Ersatzteile stehen möglicherweise auch nach Ablauf dieser begrenzten Gewährleistung zum Kauf zur Verfügung. Bitte besuchen Sie uns unter [www.burley.com](http://www.burley.com) oder rufen Sie uns an unter 541-687-1644 für weitere Informationen.

# AVERTISSEMENT

Le non-respect des instructions et consignes de sécurité de ce manuel peut entraîner des blessures graves, voire la mort du passager ou du conducteur.

- Ne laissez jamais votre enfant sans surveillance.
- Avant utilisation du produit, vérifiez que les dispositifs de verrouillage sont bien engagés.
- Pour éviter les blessures, éloignez votre enfant lorsque vous pliez et dépliez ce produit.
- Ne laissez pas votre enfant jouer avec ce produit.
- Ce siège ne convient pas aux enfants de moins de 6 mois, à moins qu'il ne soit équipé pour cela d'un accessoire homologué Burley.
- Utilisez toujours le système de maintien.
- N'INSTALLEZ PAS de siège auto ni tout autre accessoire pour s'asseoir dans le produit.
- Ce produit n'est pas prévu pour courir ou patiner.
- Pour le transport d'un seul enfant dans une remorque double, placez ce dernier toujours sur la partie droite.

**Remarque : les références « gauche » et « droite » partent du principe que l'utilisateur se tient à l'arrière de la remorque et regarde vers l'avant de celle-ci.**

- Assurez-vous que vos enfants ne mettent pas leurs doigts, vêtements, jouets ou lacets dans les rayons des roues ou d'autres parties mobiles du produit.
- Tenez compte des risques d'exposition pour les occupants de la remorque moins actifs, tels que le refroidissement éolien et l'épuisement dû à la chaleur, soit par exposition prolongée à des températures plus froides, soit par périodes prolongées de températures plus chaudes sans ventilation ni hydratation adéquate.
- Poser des paquets ou des accessoires, ou les deux, sur le produit pourrait déstabiliser ce dernier. Lui ajouter des accessoires pour transporter des charges peut créer des conditions d'instabilité dangereuses.
- Toute charge fixée à la poignée et/ou à l'arrière du dossier et/ou sur les flancs du produit affectera la stabilité de ce dernier.
- Avant utilisation, assurez-vous que les dispositifs de fixation de la poussette, du siège ou du siège auto sont bien engagés.
- N'UTILISEZ PAS le produit avec une charge totale supérieure au poids limite ou avec un nombre d'enfants supérieur à celui pour lequel le produit a été conçu. Le produit peut devenir instable en cas de dépassement de la charge recommandée.
- NE MODIFIEZ PAS le produit
- NE gonflez PAS trop les pneus. Non-respect de la pression indiqué sur le flanc des pneus peut conduire à une explosion du pneu et à des blessures.
- Utilisez toujours le cordon de jogging si vous vous servez du dispositif en tant que poussette.
- À pieds, n'empruntez que les chemins prévus pour la marche. Ne suivez pas de pistes trop pentues, au risque de déstabiliser le dispositif. Utilisez la poussette uniquement sur des voies conçues pour la marche.
- Ne manœuvrez pas au-dessus de marches ou près d'obstacles quand votre enfant est installé.
- N'utilisez que des accessoires approuvés par Burley. Si vous arrimez un accessoire à votre remorque, veillez à suivre l'ensemble des avertissements et instructions inclus dans ce kit d'accessoires.

## Utilisation comme remorque de vélo :

- Il est recommandé qu'un mécanicien qualifié pour les vélos effectue une vérification de sécurité du vélo avant d'attacher la remorque.
- Avant chaque utilisation, assurez-vous que la remorque ne gêne pas le freinage, le pédalage ou la direction du vélo.
- Il est recommandé d'utiliser un rétroviseur sur le vélo.
- Conformez-vous toujours aux réglementations locales lorsque la remorque est utilisée sur la voie publique.
- Ne roulez jamais à vélo la nuit sans un éclairage adéquat.
- Respectez les exigences légales locales en matière d'éclairage.
- Les réflecteurs rouges fournis avec la remorque doivent constamment restés montés et visibles à l'arrière.
- Si vous devez vous arrêter pour quelque raison que ce soit, comme pour surveiller votre enfant, effectuer des réglages ou regonfler un pneu à plat, assurez-vous de ne pas rester sur la route.
- Lorsque vous utilisez votre remorque, vous tractez un poids supplémentaire et un véhicule plus gros. Vous devez prévoir plus de temps pour le freinage, le ralentissement, l'arrêt et le démarrage, en particulier dans les descentes, ainsi que pour les virages, les virages et les passages.
- Utilisez d'abord la remorque chargée dans un endroit non encombré jusqu'à ce que vous maîtrisiez la manière dont votre vélo gère le remorquage d'une remorque.
- Évitez les cailloux, les virages, les freinages brusques et les embardées. Évitez les pierres, les bords de trottoir, le freinage brusque et les écarts soudains.
- Faites appel à votre bon jugement lorsque vous décidez de si les conditions climatiques, de route ou de circulation sont sûres pour utiliser une remorque Burley. Les limites de température recommandées pour utiliser une remorque Burley se situent entre - 7 °C et 38 °C.
- Les enfants doivent pouvoir être assis et se tenir droit sans soutien et avoir une force dans la nuque suffisante pour maintenir leurs têtes avant d'être transportés dans une remorque. Afin de déterminer si un enfant a l'âge suffisant pour être transporté dans une remorque à vélo, consultez un pédiatre
- Roulez toujours avec le toit fermé afin de protéger les enfants des débris volants
- Les passagers doivent porter un casque de vélo qui est conforme aux normes de sécurité applicables
- La personne sur le vélo doit être âgée de 16 ans minimum
- La loi peut soumettre les remorques tirées par un vélo électrique à des restrictions.
- Limitations de vitesse recommandées :
  - 24 km/h sur les routes régulières, en ligne droite
  - 8 km/h dans les virages ou sur les routes irrégulières
- Poids de la remorque doit être correctement distribuée pour la manipulation. La force vers le bas à la fin de la barre de remorquage, où il rencontre le vélo, devrait se situer entre 1 et 9 kg. Pour mesurer cela, chargez votre remorque et place à côté de l'échelle de salle de bains. Montez sur l'échelle et notez votre poids. Alors que sur l'échelle, soulevez la fin de la barre de remorquage 30 cm du sol et notez le poids nouveau. La différence de poids est la force vers le bas sur la barre de remorquage. Si le poids est trop faible, la roue arrière de la bicyclette pourrait perdre la traction. Si elle est trop élevée l'attelage peut être surchargé.

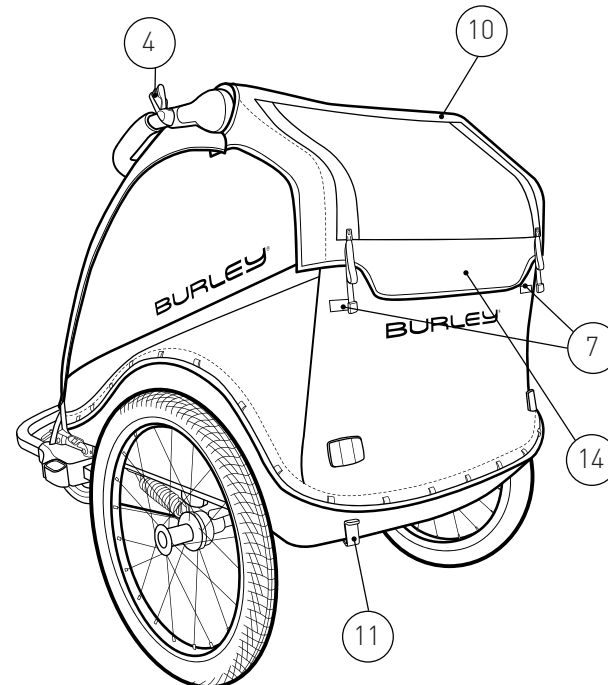
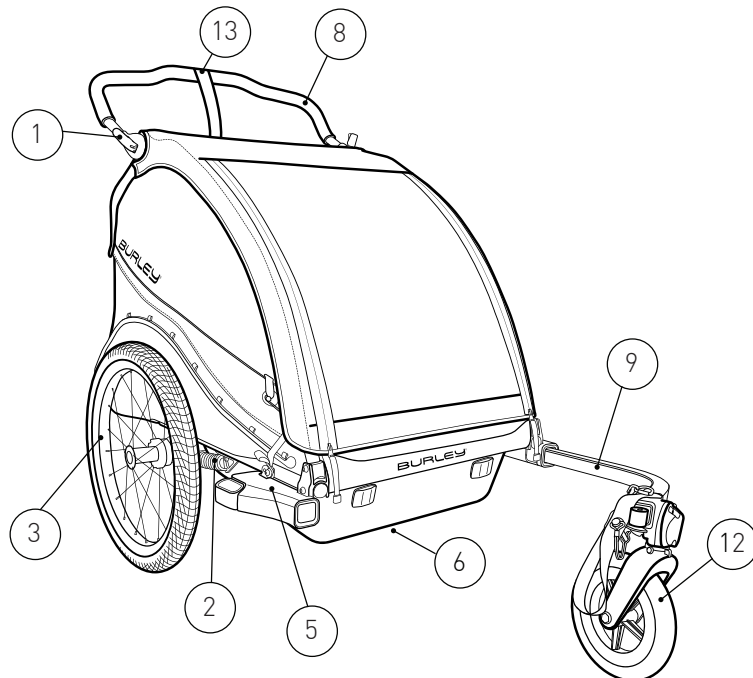
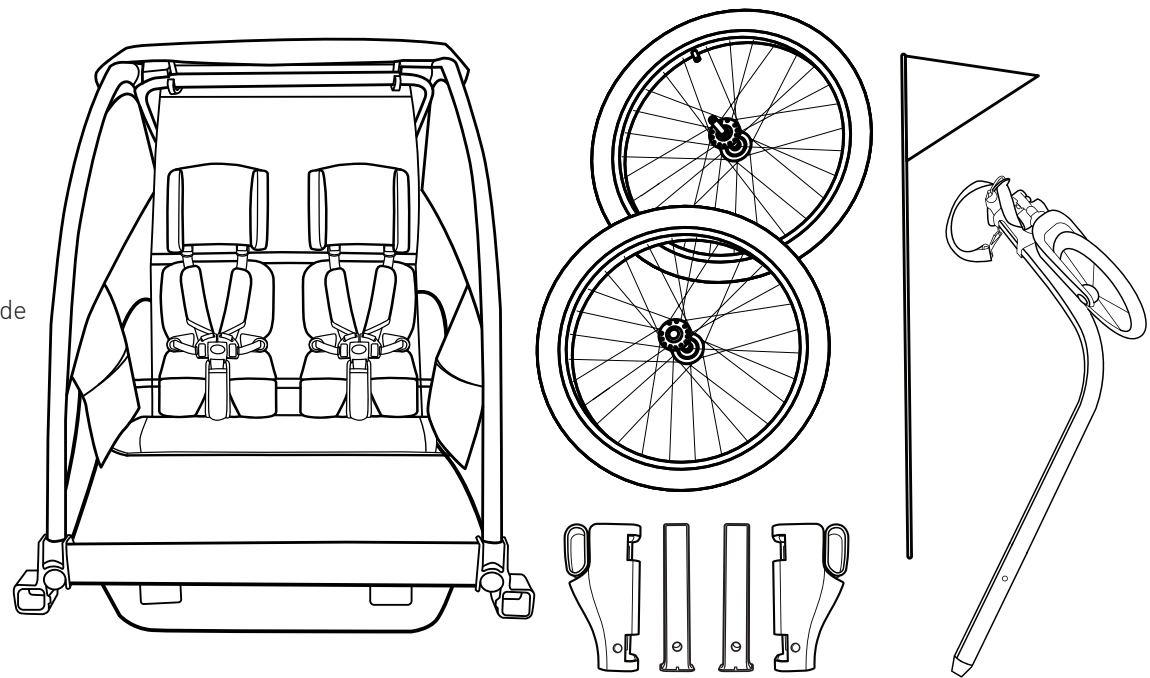
## Capacités maximales

- Charge nominale :
  - 45 kg, un ou deux enfants + chargement
- Poids total (remorque + charge) :
  - 64 kg
- Poids maximum de l'enfant : 18 kg
- Hauteur debout maximale de l'enfant (sans le casque): 41.25 po. (105 cm)
- Age minimum de l'enfant : 12 mois
  - En vélo : 12 mois
  - En se promenant : 6 mois\*
  - \*À moins d'utiliser un accessoire approuvé par Burley

Concernant le poids maximal de la remorque, conformez-vous toujours aux réglementations locales.

## Contenu de la boîte :

- 1 remorque
- 1 fanion
- 2 roues
- 1 barre de remorquage/ kit poussette & accroc
- 2 récepteur rapide
- 2 manchons de récepteur rapide



## Guide de remorque Burley :

1. Arceau de sécurité / guidon
2. Réglage de la suspension
3. Roue haut de gamme
4. Support pour fanion
5. Récepteur rapide
6. Pare-choc
7. Boucles d'éclairage
8. Arceau de sécurité / guidon
9. Barre de remorquage
10. Verrous de cadre (sous le toit)
11. Lever de frein
12. Kit poussette
13. Cordon de jogging
14. Identification du modèle de remorque

## Ouverture de votre remorque

1. Levez le cadre supérieur depuis l'arrière (Figure 1).
2. Tirez le tube du cadre central vers vous (Figure 2).
3. Serrez les tubes du cadre pour les verrouiller fermement (Figure 3).

REMARQUE : l'ouverture de la remorque est plus facile quand le siège est en position inclinée maximale ou moyenne.

## Fermeture de votre remorque

1. Faites descendre les passagers et retirez la charge. Retirez la barre de remorquage et les deux roues.
2. Soulevez le capot depuis l'avant de la remorque, puis appuyez sur les loquets de déverrouillage jaunes et faites passer le cadre arrière (Figure 4).
3. Pliez à plat.

REMARQUE : si la remorque est pliée alors que les roues n'ont pas été retirées, cela risque d'endommager les fenêtres.

### AVERTISSEMENT

Faites attention lorsque vous pliez et dépliez la remorque pour éviter de vous coincer les doigts.

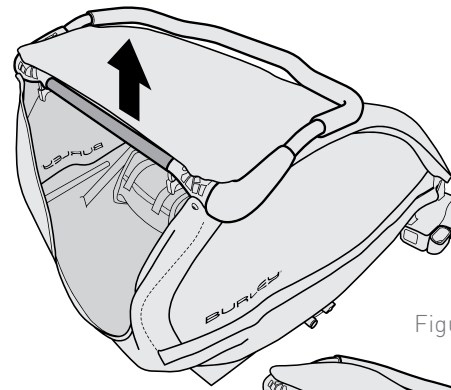


Figure 1

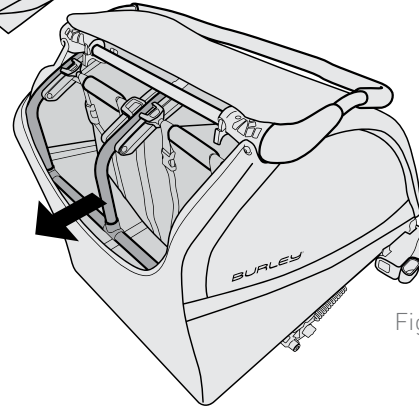


Figure 2

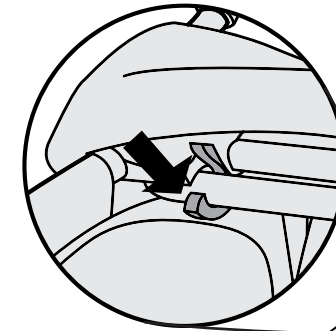


Figure 3

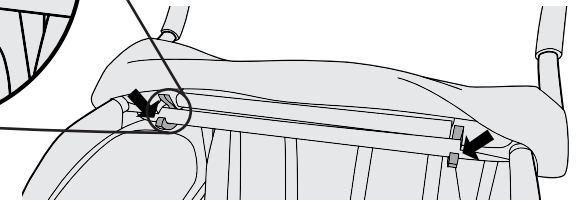


Figure 4

## Réglage de la suspension

1. Il y a 5 points de réglage (Figure 5). Tournez le bouton de réglage pour définir la suspension : position haute pour les charges les plus légères, position basse pour les charges les plus lourdes. La remorque doit être utilisée avec les mêmes réglages pour les suspensions gauche et droite.

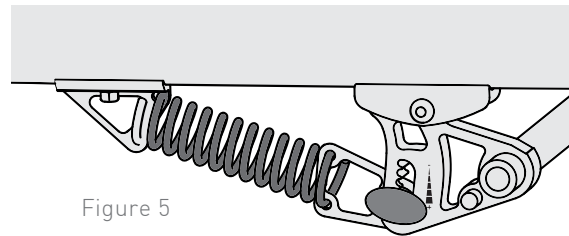


Figure 5

## Fixation des roues

1. Appuyez sur le bouton en caoutchouc situé à l'extérieur du moyeu de roue (Figure 6).
2. Insérez l'axe de roue dans le récepteur d'axe, puis relâchez le bouton. Tirez fermement sur la roue pour confirmer que l'axe est entièrement engagé (Figure 7).

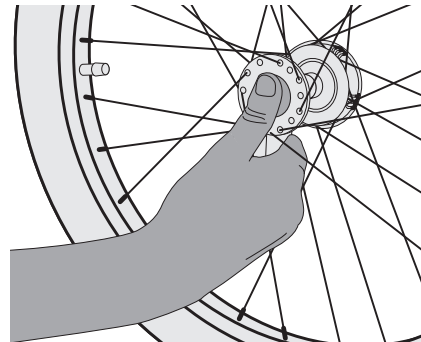


Figure 6

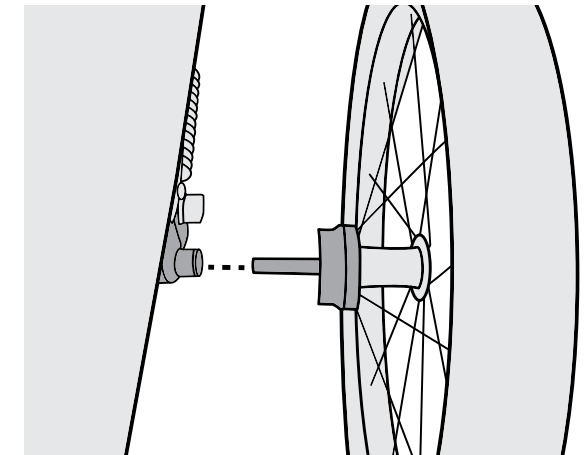


Figure 7

## Installation des récepteurs rapides

1. Positionnez le récepteur rapide comme indiqué (Figure 8).
2. Insérez le récepteur rapide sur les montants en aluminium jusqu'à ce qu'il soit complètement joint (Figure 8).
3. Insérez totalement le manchon jaune dans le récepteur rapide, flèches pointées vers le haut (Figure 9).
4. Recommencez de l'autre côté.

Remarque : les mentions R (Right) pour droit et L (Left) pour gauche situées sous les récepteurs rapides indiquent le côté où ils doivent être positionnés.

Remarque : pour ôter les récepteurs rapides, insérez un élément plat et fin (comme une clé ou un tournevis plat) dans la section avant de la fente avant au-dessous du récepteur afin d'abaisser la languette (Figure 10). Une fois la languette abaissée, ôtez le manchon jaune du récepteur rapide en le poussant sur l'arrière.

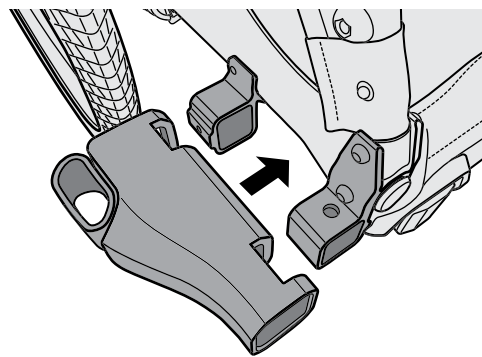


Figure 8

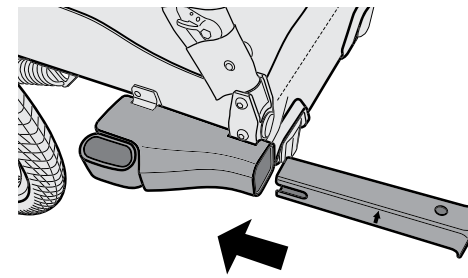


Figure 9

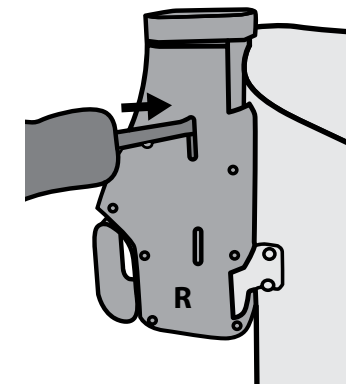


Figure 10

## Installation de la barre de remorquage

1. Faites glisser la barre de remorquage dans le récepteur rapide jusqu'à ce que la tige de retenue principale s'engage dans la barre de remorquage (Figure 11).
- En insérant la barre de remorquage, la poignée de blocage doit se déplacer vers l'extérieur puis revenir à sa position de départ. La barre de remorquage n'est sécurisée que lorsque la poignée de blocage est revenue à sa position de départ (Figure 12).
3. **Tirez sur la barre de remorquage pour vérifier qu'elle est bien arrimée aux récepteurs rapides.**
4. Abaissez le bouton en haut de la tige de retenue secondaire et insérez cette dernière dans le récepteur rapide et la barre de remorquage, une fois les orifices alignés (Figure 13).

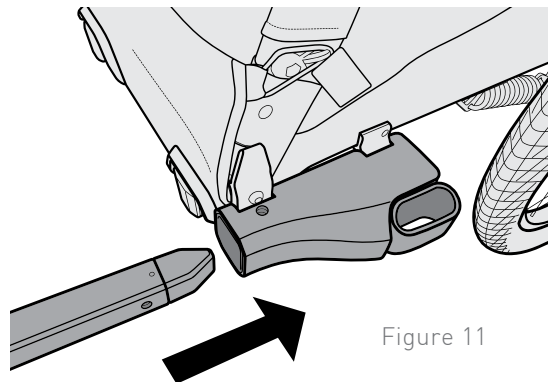


Figure 11

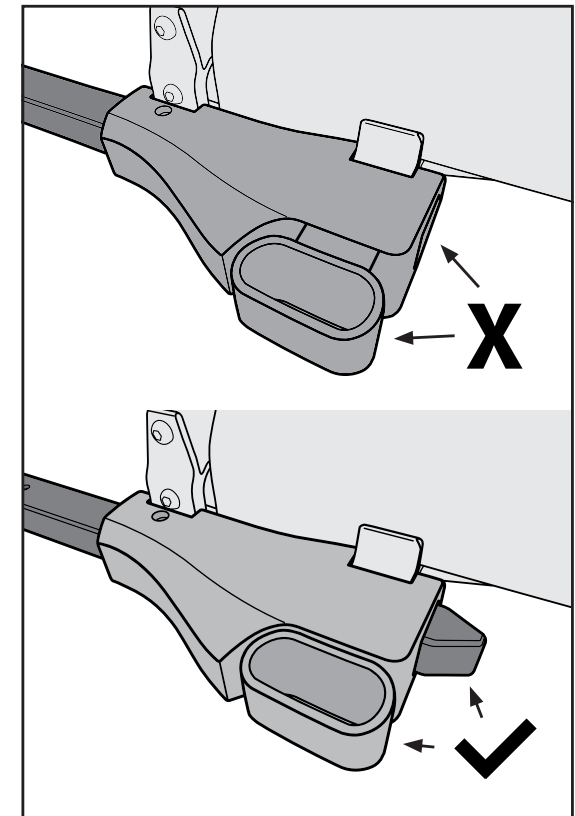


Figure 12

## Désinstallation de la barre de remorquage

1. Abaissez le bouton et ôtez la tige de retenue secondaire.
2. Tirez sur la poignée de blocage du récepteur rapide et ôtez la barre de remorquage.

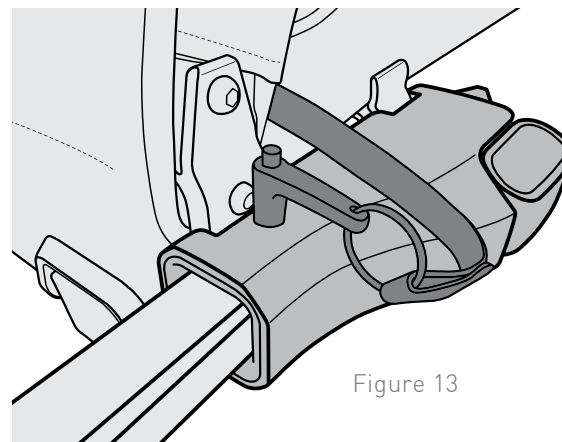


Figure 13



## Passage en mode poussette

1. Tirez sur la fourche, comme sur la (Figure 14), et faites pivoter complètement la roue vers le bas. La fourche se soulève et se verrouille automatiquement.
2. Ajustez la barre de remorquage en position Marche (Figure 15) en ôtant la tige de retenue secondaire et en tirant sur la poignée de blocage du récepteur rapide. Faites glisser la barre de remorquage vers la remorque jusqu'à ce qu'elle soit en place, puis réinstallez la tige de retenue secondaire.

## Passage en mode remorque

1. Tirez la fourche vers le bas (Figure 16) et faites-la pivoter pour passer en mode poussette, comme sur l'illustration. La fourche se verrouille automatiquement en mode remorque lorsqu'elle est correctement positionnée (Figure 17).
2. Ajustez la barre de remorquage en position Remorque en ôtant la tige de retenue secondaire et en tirant sur la poignée de blocage du récepteur rapide. Faites glisser la barre de remorquage en direction opposée de la remorque jusqu'à ce qu'elle soit en place, puis réinstallez la tige de retenue secondaire.

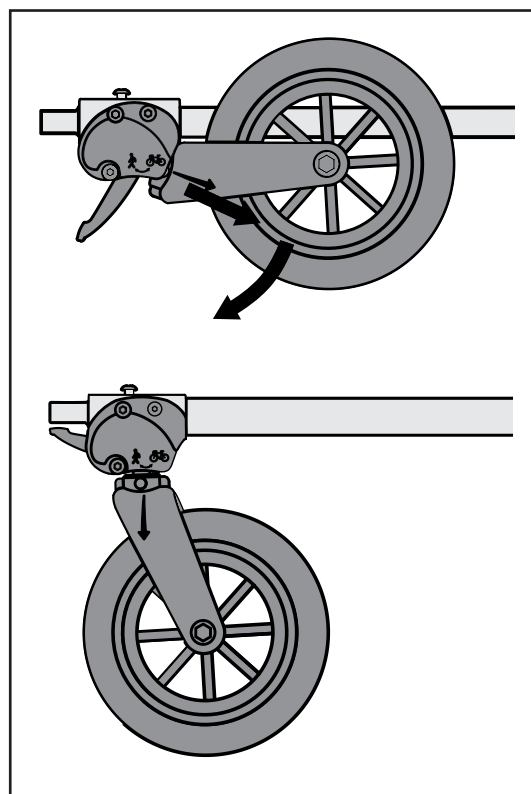


Figure 14

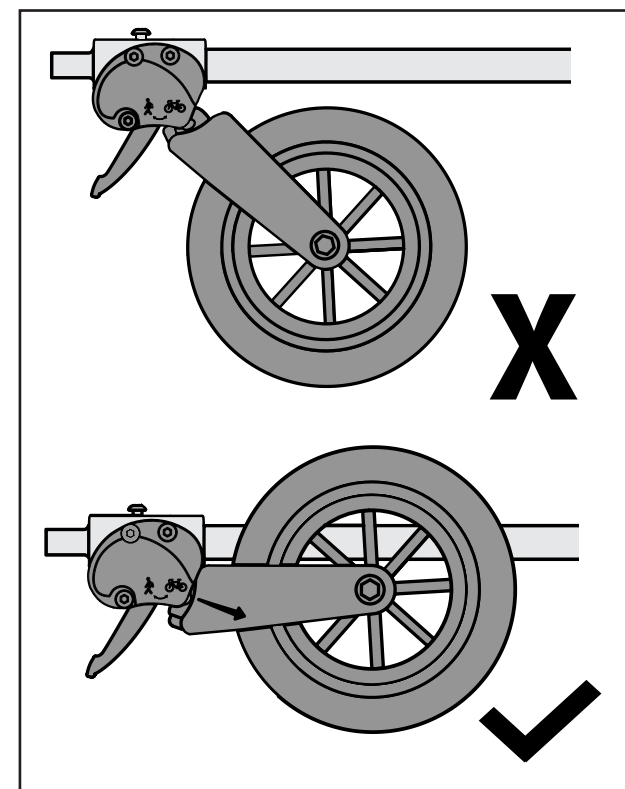


Figure 17

## ⚠ AVERTISSEMENT

La roue de la poussette doit toujours être repliée, en mode remorque, avant de l'installer à l'arrière d'un vélo. Si la roue de la poussette n'est pas en mode remorque lorsqu'elle est attachée à un vélo, cela peut causer un accident, des blessures graves ou entraîner la mort.

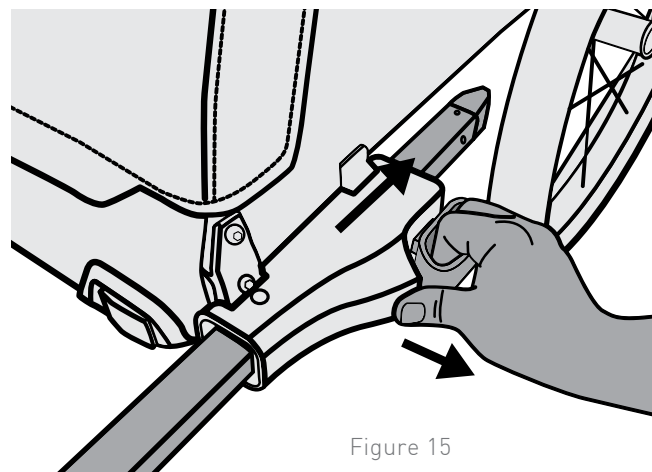


Figure 15

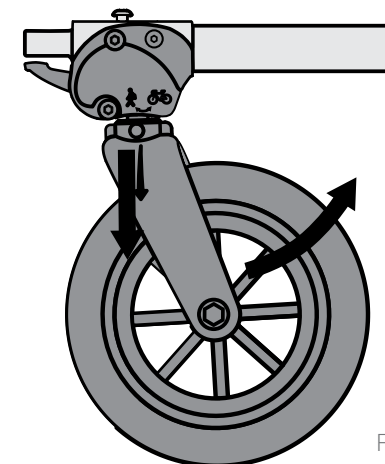


Figure 16

## Installation du frein de stationnement

1. Faites glisser le levier sur la droite (Figure 18).  
Pour relâcher le frein, faites glisser le levier vers la gauche.

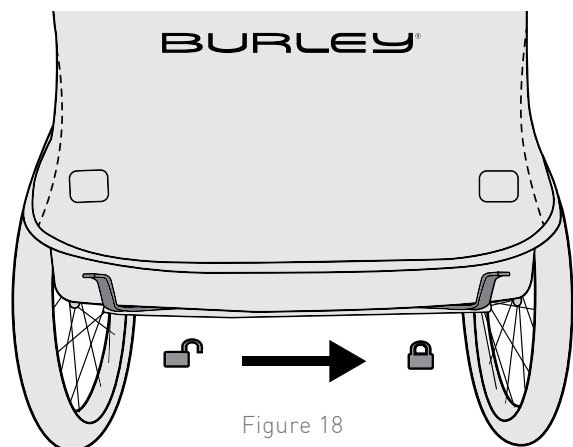


Figure 18

## Réglage de l'arceau de sécurité

1. **Mode remorquage** : Tournez toujours l'arceau de sécurité vers l'avant lorsque la remorque est en mode remorquage (Figure 19A). L'arceau de sécurité doit être horizontal et parallèle au sol, de sorte que la marque sur le guidon soit alignée avec le boulon qui attache le couvercle (Figure 20).
2. **Mode promenade** : l'arceau de sécurité peut être tourné pour servir de guidon lorsque la remorque est en mode promenade (Figure 19B). Tirez le levier pour tourner (Figure 20).

Remarque : utilisez toujours le cordon de jogging pour retenir la remorque si vous l'utilisez comme poussette.

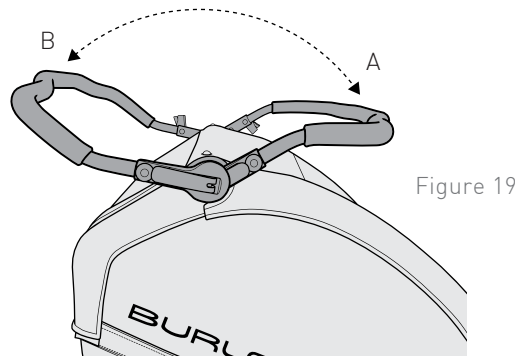


Figure 19

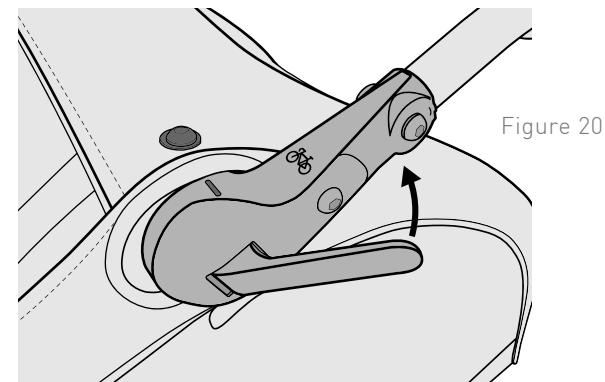


Figure 20

## Sécurisation de la capote et du drapeau

1. Insérez le crochet dans la boucle et tirez sur la sangle pour serrer (Figure 21).
2. Abaissez le bouton jaune et faites glisser la tige du drapeau sur le porte-drapeau. Pour libérer la tige du drapeau, appuyez sur le bouton et soulevez la tige (Figure 22).

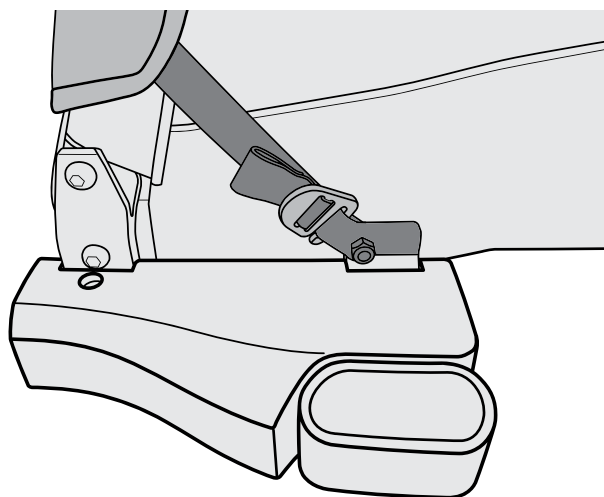


Figure 21

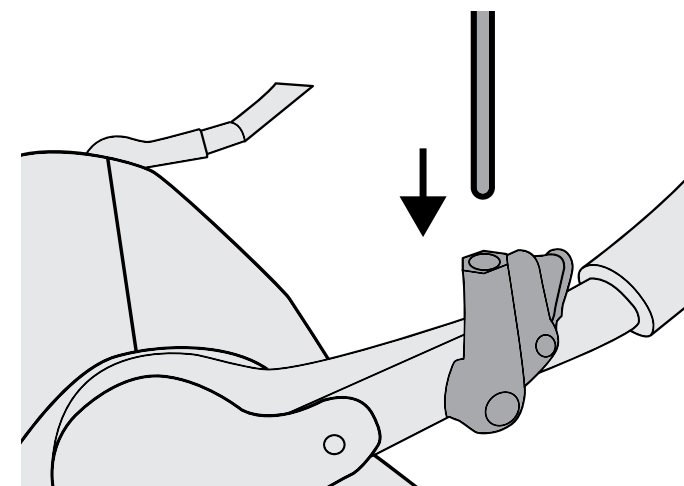


Figure 22

## Installer des lumières supplémentaires

Des sangles en tissu se trouvent à l'arrière de la capote et doivent être utilisées pour fixer des phares et/ou réflecteurs supplémentaires (Voir page 22).

## Ajustement de l'inclinaison indépendante

1. Pour ajuster l'inclinaison indépendante, appuyez sur le bouton jaune au bas du support du siège. Faites glisser le mécanisme selon le réglage de votre choix, puis relâchez le bouton jaune (Figure 23).
2. Pour verrouiller, alignez les marques du siège sur l'une des trois positions d'inclinaison du châssis (Figure 24).
3. Tirez fermement pour vérifier que le siège est bien en place.

Remarque : ne laissez pas votre enfant jouer avec le bouton d'inclinaison jaune ou la piste.

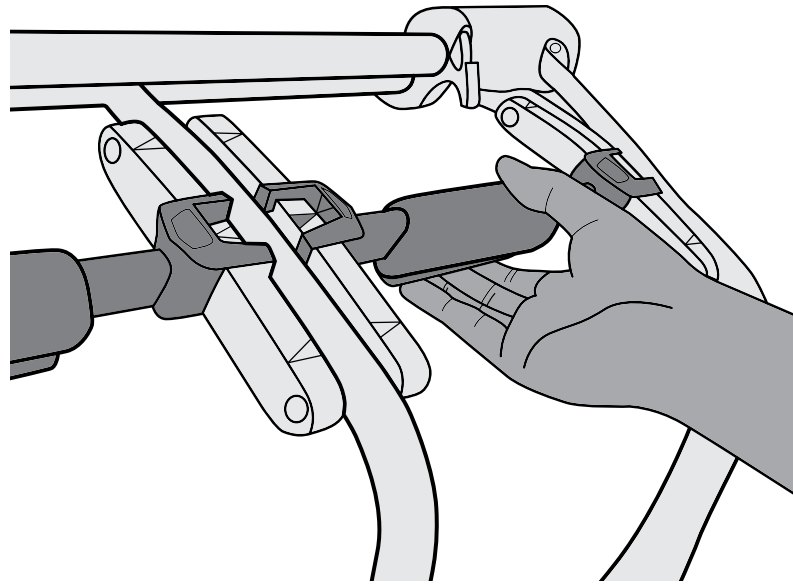


Figure 23

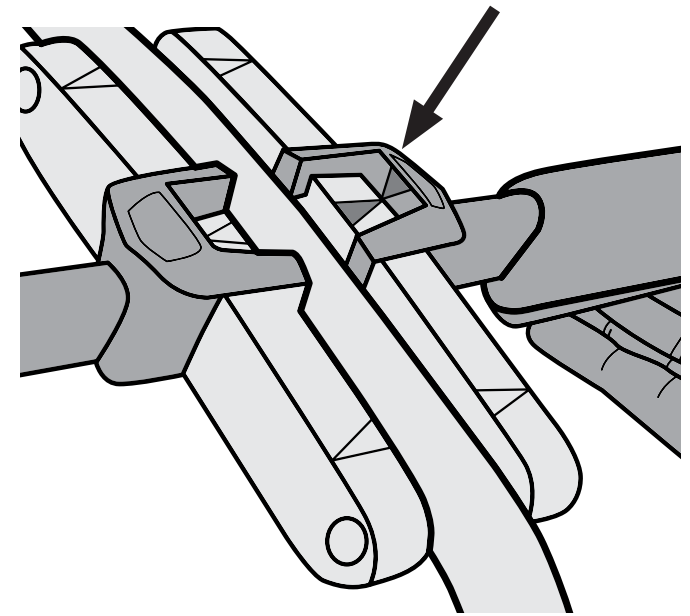


Figure 24

## Installation de Votre Enfant

1. Avant d'installer/désinstaller votre enfant, engagez le frein de stationnement. Une fois l'enfant assis, sécurisez et ajustez les harnais. Attachez les sangles et les ceintures dans le harnais à 5 points, puis ajustez-les (Figure 25). Attachez et ajustez la/les ceinture(s) sous-abdominale(s).
2. Pour sortir vos enfants de la remorque, appuyez simplement sur le bouton jaune d'ouverture du harnais à 5 points (Figure 25a).
3. Pour le transport d'un seul enfant dans une remorque double, placez ce dernier toujours sur la partie droite (Figure 26).

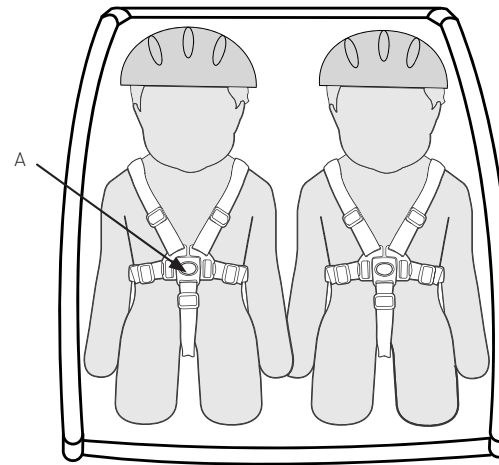


Figure 25

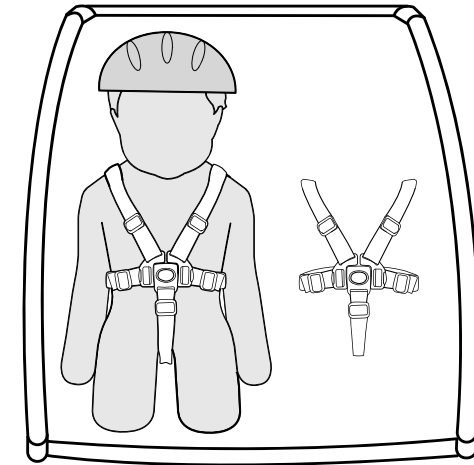


Figure 26

### AVERTISSEMENT

Les chutes et glissades peuvent entraîner des blessures graves. Utilisez toujours un harnais à 5 points.

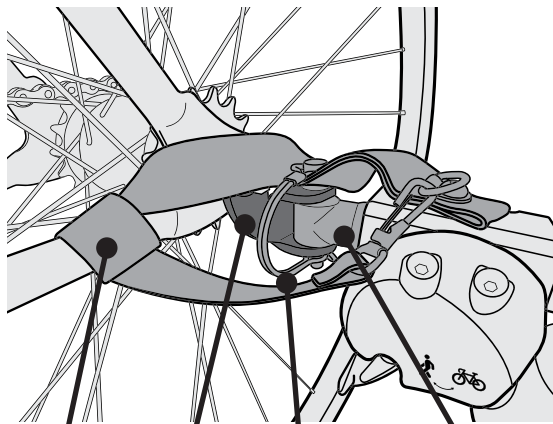
## Accrochage de votre remorque

1. **Installation de l'attelage sur votre vélo :** Retirez le levier de blocage rapide ou l'écrou du côté gauche de l'axe de la roue arrière du vélo. Installez l'attelage entre le levier de blocage rapide ou l'écrou et le cadre (Figure 27). Serrez le levier de blocage rapide ou l'écrou en suivant les recommandations du fabricant. L'attelage peut rester sur le vélo lorsque la remorque n'est pas accrochée.

**Axe traversant :** Vous trouverez des informations sur le réglage et l'installation propres à votre vélo sur [Burley.com](http://Burley.com) (Figure 28).

2. **Accrochage de la barre de remorquage à l'attelage :** Insérez le raccord souple entre les deux trous sur l'attelage (Figure 29). Insérez la goupille de sécurité et fermez le dispositif de retenue (Figure 30). Enroulez la sangle de sécurité autour du cadre du vélo deux fois et accrochez-la à l'anneau d'arrimage sur la barre de remorquage (Figure 31).

3. **Démontage de la barre de remorquage de l'attelage :** déverrouillez la sangle de sécurité de l'anneau d'arrimage et déroulez-la en partant du cadre du vélo. Retirez la goupille de sécurité et ouvrez le dispositif de retenue. Puis démontez le raccord souple de l'attelage.



Attelage  
Sangle de sécurité  
Goupille de sécurité  
Raccord souple

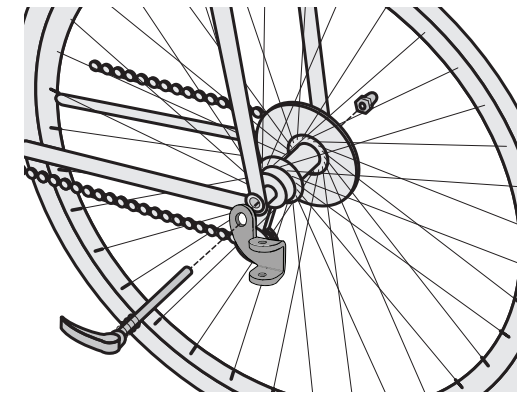


Figure 27



Figure 28

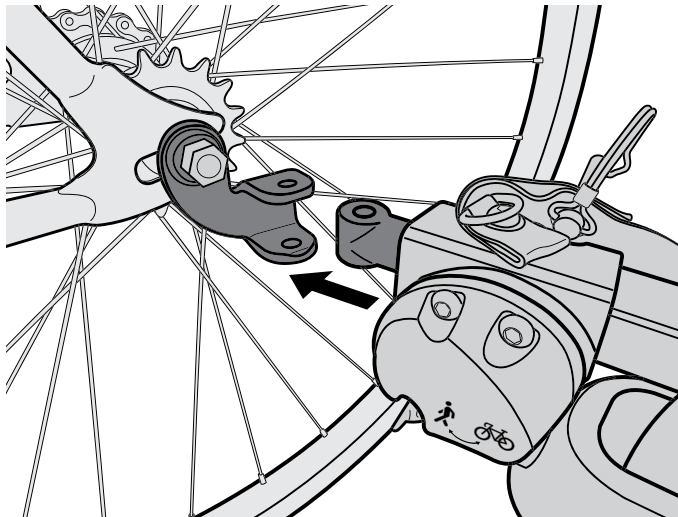


Figure 29

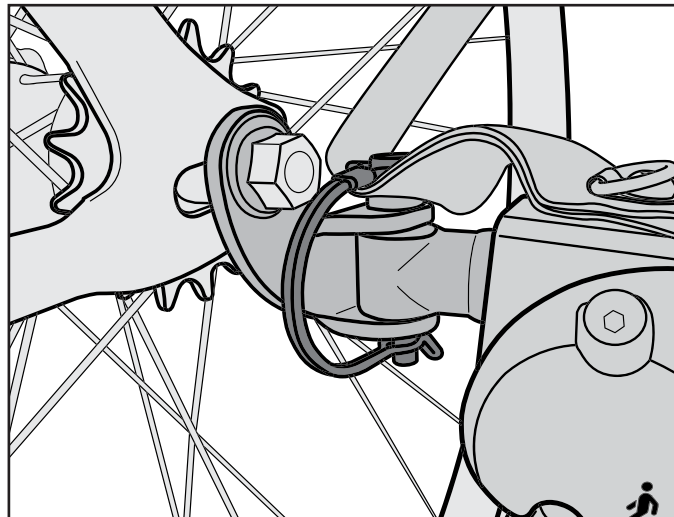


Figure 30

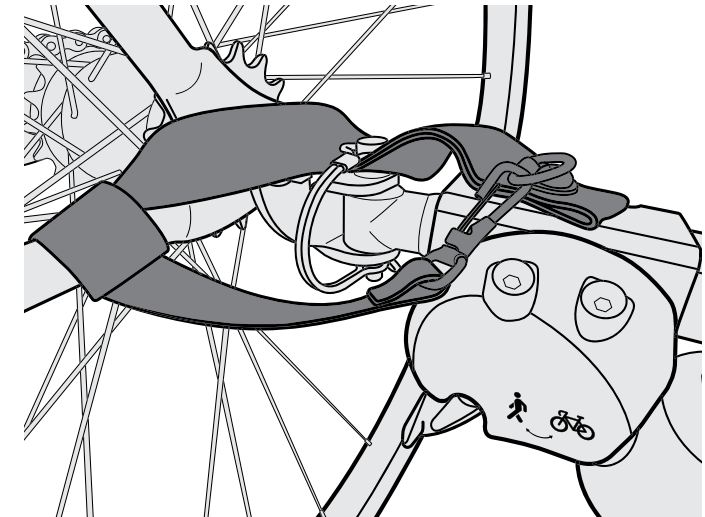


Figure 31

## Avant de partir :

### Avant chaque utilisation, vérifiez si :

1. Les roues sont bien fixées à la remorque
2. Les pneus sont gonflés à la pression recommandée indiquée sur le flanc
3. Les récepteurs rapides sont correctement arrimés à la remorque (avec le manchon jaune correctement inséré)
4. La barre de remorquage est bien fixée à la remorque
5. La tige de retenue principale du récepteur rapide est sécurisée et la tige de retenue secondaire est installée
6. L'attelage est bien fixé au vélo
7. Les dispositifs de retenue des goupilles de sécurité de l'attelage et de la barre de remorquage sont fixés
8. La charge ne dépasse pas 45 kg pour les remorques à deux places
9. Le poids de la barre de remorquage est supérieur à 1 kg mais inférieur à 9 kg lorsque la remorque est complètement chargée
10. Le vélo est dans un bon état de marche, en particulier les freins et les pneus (Voir les instructions du fabricant de votre vélo)
11. Tous les passagers portent un casque
12. Le fanion de sécurité est en place
13. L'enfant (les enfants) est (sont) correctement installé(s) avec le harnais et la sangle sous-abdominale
14. Le toit est installé et fermé
15. Les objets dans la zone de stockage ne peuvent pas actionner le bouton d'inclinaison jaune
16. L'éclairage convient aux conditions de la route
17. La suspension est ajustée de la même façon des deux côtés de la remorque
18. Le guidon est correctement positionné
19. Vérifiez que le frein de stationnement est desserré avant de faire du vélo

### Chaque mois, effectuez les vérifications suivantes :

- Inspectez la barre de remorquage, l'attelage, les tubes de cadre, le raccord souple et le matériel afin de détecter d'éventuels dommages
  - Les connecteurs flexibles doivent être vérifiés tous les 3-5 ans
- Vérifiez si les boulons sont serrés
- Inspectez les roues et les pneus pour vous assurer de l'absence de signes d'usure et de fissures
- Inspectez les parties en tissu afin de détecter les éventuels accrocs et abrasions, le matériel manquant ou endommagé

Pour le remplacement de toute pièce endommagée ou usée, contactez votre revendeur agréé Burley.

## Entretien de votre remorque Burley

### Nettoyage de la remorque :

- Les composants tels que le mécanisme d'inclinaison et les récepteurs rapides doivent être occasionnellement inspectés et nettoyés afin d'empêcher l'accumulation de débris.
- Vérifiez que les composants sont totalement secs avant de les ranger.

### Stockage :

Pour une durée de vie plus longue, stockez la remorque à l'intérieur. Si vous rangez votre remorque à l'extérieur, protégez-la à l'aide d'un sac de rangement ou d'une housse. La remorque ne doit pas être stockée à des températures inférieures à - 23 °C ou supérieures à 65 °C. Ne stockez pas les pneus en contact direct des fenêtres ; cela peut décolorer les fenêtres.

### Entretien du tissu :

Lavez à la main les parties en tissu avec de l'eau chaude et un savon ou détergent doux. N'utilisez PAS d'eau de Javel ou de solvant. Mettez à sécher sur une corde le toit de la remorque. Séchez et stockez à l'abri de la lumière directe du soleil, dans un espace bien aéré. Nettoyez les fenêtres avec un chiffon doux humide.

## Garantie limitée Burley :

Cette remorque Burley est garantie à compter de la date d'achat contre les défauts de matériaux et de fabrication comme suit : parties en tissu pendant un an, cadre et pièces en plastique pendant cinq ans. Votre facture d'origine ou votre bon de livraison indiquant la date d'achat est votre preuve d'achat.

Si un défaut de matériaux ou de fabrication est découvert pendant la période de Garantie limitée, nous réparerons ou remplacerons, à nos frais, votre produit sans que cela implique de coût pour vous. Cette garantie est uniquement valable dans le pays dans lequel le produit a été acheté.

La Garantie limitée s'applique uniquement à l'acheteur d'origine de ce produit et n'est pas cessible à toute personne qui devient propriétaire du produit de l'acheteur d'origine.

La Garantie limitée ne couvre pas les réclamations suite à une mauvaise utilisation, un non-respect des instructions, une installation, un entretien ou une utilisation inapproprié(e), une modification abusive, une implication dans un accident et une usure normale. La Garantie limitée ne couvre pas les produits qui sont utilisés dans le cadre d'une location et Burley ne sera pas tenu responsable de tout dommage accessoire ou commercial relatif à ladite utilisation.

DANS LA PLUS GRANDE MESURE AUTORISÉE PAR LA LOI, CETTE GARANTIE LIMITÉE EST EXCLUSIVE ET REMPLACE TOUTE AUTRE GARANTIE, ÉCRITE OU ORALE, DONT, NOTAMMENT, TOUTE GARANTIE EXPLICITE OU IMPLICITE DE QUALITÉ MARCHANDE OU DE CARACTÈRE APPROPRIÉ POUR UNE FIN PARTICULIÈRE. La durée de toute garantie implicite, y compris toute garantie implicite de qualité marchande ou de caractère approprié pour une fin particulière qui peut exister pendant la période de garantie explicite, est expressément limitée à la période de garantie.

Certains États et pays n'autorisent pas les limites de durée d'une garantie limitée implicite ; par conséquent, la limitation et les exclusions ci-dessus peuvent ne pas s'appliquer à vous.

LE RECOURS EXCLUSIF DU CLIENT EN CAS DE VIOLATION DE CETTE GARANTIE LIMITÉE OU DE TOUTE GARANTIE IMPLICITE OU DE TOUTE OBLIGATION PAR APPLICATION DE LA LOI OU AUTREMENT EST LIMITÉ, COMME STIPULÉ DANS LA PRÉSENTE, À LA RÉPARATION OU AU REMPLACEMENT, À NOTRE SEULE DISCRÉTION. DANS TOUS LES CAS, LA RESPONSABILITÉ QUANT AUX DOMMAGES SPÉCIAUX, ACCESSOIRES ET INDIRECTS EST EXPRESSÉMENT EXCLUE.

Certains États interdisent l'exclusion de la limite des dommages accessoires ou indirects, la limite d'exclusion ci-dessus peut donc ne pas s'appliquer à vous.

Cette Garantie limitée vous procure des droits légaux spéciaux et vous pouvez avoir d'autres droits qui varient d'un État à un autre ou d'un pays à un autre.

Pour plus d'informations sur le service de garantie ou les pièces de rechange pour les États-Unis ou le Canada, veuillez contacter Burley directement en appelant le 800-311-5294 ou en envoyant un e-mail à burley@burley.com. Pour plus d'informations sur le service de garantie ou les pièces de rechange en dehors des États-Unis et du Canada, veuillez contacter le lieu d'achat pour le service de garantie. Soyez prêt à indiquer le modèle de produit, le numéro de série et une description du problème sous garantie.

Certaines pièces de rechange peuvent être disponibles à l'achat après l'expiration de cette garantie limitée. Rendez-vous sur notre site à l'adresse [www.burley.com](http://www.burley.com) ou appelez-nous au 541-687-1644 pour plus d'informations.

# ADVERTENCIA

El incumplimiento de las instrucciones y directrices de seguridad de este manual podría dar lugar a lesiones graves o a la muerte del pasajero o del ciclista.

- No deje nunca al niño sin supervisión
- Asegúrese de que todos los dispositivos de fijación estén colocados antes de su uso.
- Para evitar lesiones asegúrese de que el niño esté alejado al desplegar y plegar este producto.
- No permita que el niño juegue con este producto
- Este asiento no es adecuado para niños menores de seis meses (a menos que se utilice un accesorio aprobado por Burley)
- Utilice siempre el sistema de retención
- NO instale una silla de coche o cualquier otro dispositivo para sentarse en el producto.
- Este producto no es adecuado para correr o patinar
- Cuando utilice el remolque doble con un niño, siente siempre al niño en la posición del lado derecho.

**Nota: Las referencias a izquierda o derecha se toman estando de pie detrás del remolque mirando hacia delante.**

- Asegúrese de que los niños no puedan poner los dedos, prendas de ropa, juguetes o cordones de los zapatos en los radios de las ruedas u otras partes móviles
- Sea consciente de los riesgos de exposición para los ocupantes menos activos del remolque, como la sensación térmica y el agotamiento por calor, ya sea por exposición prolongada a temperaturas más frías o por períodos prolongados a temperaturas más cálidas sin ventilación o hidratación adecuadas.
- Los paquetes o accesorios que coloque en la unidad podrían hacer que ésta se vuelva inestable. Podrían darse condiciones peligrosas de inestabilidad si se añaden al producto accesorios para transportar paquetes
- Cualquier carga fijada al manillar o a la parte posterior del respaldo o en los laterales del vehículo afectará a la estabilidad del mismo
- Compruebe que el cuerpo del cochecito, el asiento o los dispositivos de fijación del asiento del vehículos estén correctamente conectados antes de su uso
- NO lo utilice con una carga total que supere los límites de peso o un número de niños superior al que permite el diseño del vehículo. Si se supera la carga recomendada, la unidad podría volverse inestable
- NO haga modificaciones en el producto
- NO sobre-inflar los neumáticos. El incumplimiento en la presión de los neumáticos de acuerdo a la clasificación de la pared lateral puede provocar una explosión del neumático y posibles lesiones.
- Utilice siempre la fijación para jogging cuando lo utilice como cochecito de paseo.
- Durante los paseos siga siempre caminos destinados a pasear. No lo utilice en pendientes empinadas que podrían desestabilizar el remolque. Utilice el cochecito solo en vías previstas para pasear.
- No realice maniobras en escaleras u otros obstáculos con el niño dentro.
- Use solo accesorios aprobados por Burley. Si fija un accesorio al remolque, asegúrese de leer y respetar todas las advertencias e instrucciones incluidas con el kit de accesorio.

## Cuando se utiliza como remolque de bicicleta:

- Se recomienda que un mecánico de bicicletas especializado haga un control de seguridad de la bicicleta de remolque antes de colocar el remolque.
- Antes de cada paseo, asegúrese de que el remolque no interfiera con los frenos, los pedales o la dirección de la bicicleta.
- Se recomienda utilizar un espejo retrovisor en la bicicleta.
- Cumpla siempre la normativa local al usar el remolque en las calzadas públicas.
- Nunca monte en una bicicleta de noche sin la iluminación adecuada.
- Obedezca todos los requisitos legales locales en lo que se refiere a la iluminación.
- Los reflectores rojos que vienen con el remolque deben estar acoplados y ser visibles en la parte posterior del remolque en todo momento.
- Si tiene que frenar por cualquier razón, como por ejemplo, para controlar al niño, hacer ajustes o arreglar un neumático desinflado, asegúrese de salir completamente de la carretera.
- Cuando usa su remolque, está remolcando peso extra y un vehículo más grande. Debe permitir más tiempo para frenar, reducir la velocidad, detenerse y arrancar, especialmente cuando se conduce cuesta abajo, y dejar más espacio para giros, esquinas y pasillos.
- Practique con el remolque cargado en un área sin tráfico hasta que se familiarice con la manera en que su bicicleta lleva un remolque.
- Evite piedras, bordillos, frenados bruscos y virajes repentinos. Evite las rocas, los bordillos de la acera, los frenados y los virajes bruscos.
- Use el sentido común al decidir si las condiciones del clima, la carretera y el tráfico son seguras para usar una bicicleta Burley. Los límites de temperatura recomendados para el uso de un remolque Burley son de -7 a 38 °C.
- Los niños deben ser capaces de sentarse erguidos sin ayuda y deben tener la fuerza suficiente en el cuello como para sostener la cabeza antes de llevarlos en un remolque. Consulte con un pediatra para determinar si un niño tiene la edad de desarrollo suficiente antes de llevarlo en un remolque para bicicleta.
- Circule siempre con la cubierta hacia abajo para proteger a los niños de los residuos del aire.
- Los pasajeros deben usar un casco de ciclista que cumpla con los estándares de seguridad correspondientes.
- El conductor de la bicicleta debe tener al menos 16 años.
- Los remolques de bicicleta tirados por una bicicleta motorizada/eléctrica pueden estar limitados por ley.
- Límites de velocidad recomendados:
  - 24 km/h sobre carreteras lisas y rectas
  - 8 km/h al girar o sobre carreteras irregulares
- El peso del remolque debe distribuirse adecuadamente para una manipulación segura. La fuerza hacia abajo al final de la barra de remolque, donde se encuentra con la moto, debe estar entre 1 y 9 kg. Para medir esto, cargar su remolque y el lugar junto a la báscula de baño. Paso en la escala y tenga en cuenta su peso. Mientras que en la escala, alza al final de la barra de remolque 30 cm del suelo y tenga en cuenta el peso de nuevo. La diferencia de peso es la fuerza hacia abajo en la barra de remolque. Si el peso es demasiado bajo, la rueda trasera de la bicicleta podría perder tracción. Si es demasiado alta el enganche puede estar sobrecargado.

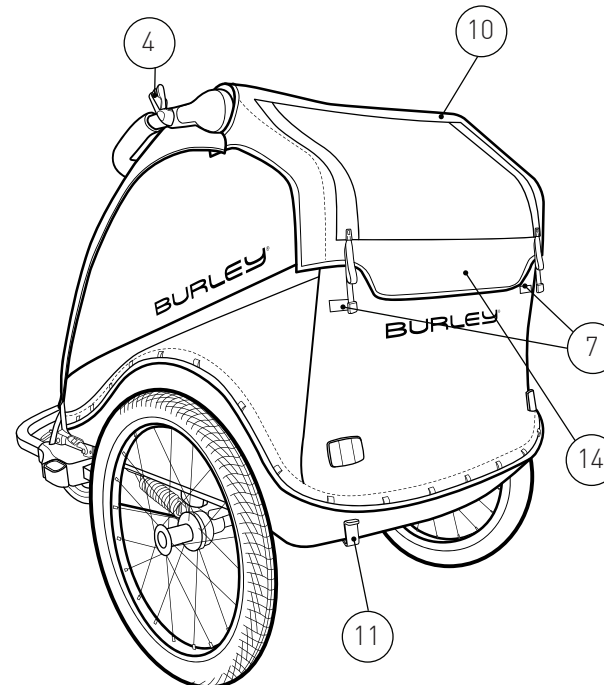
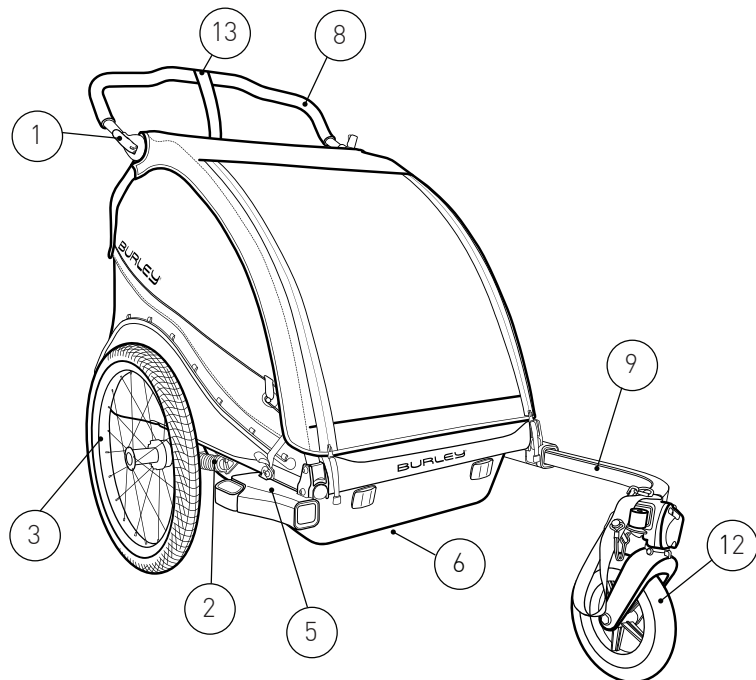
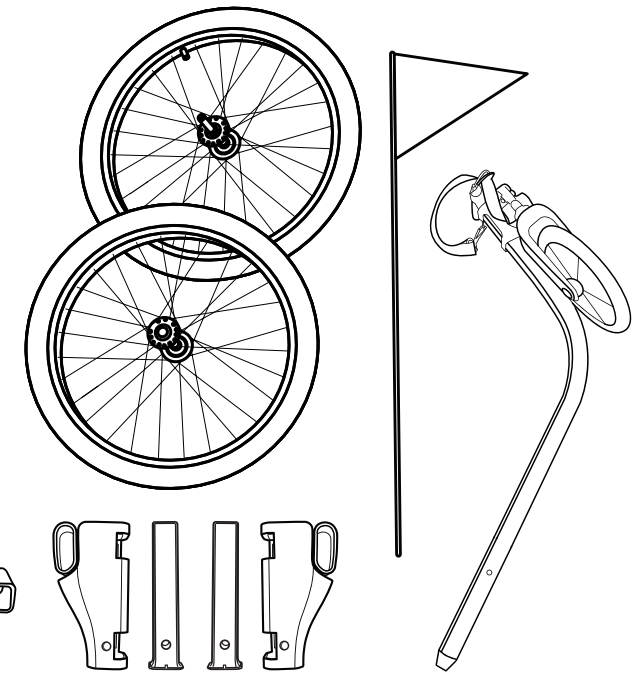
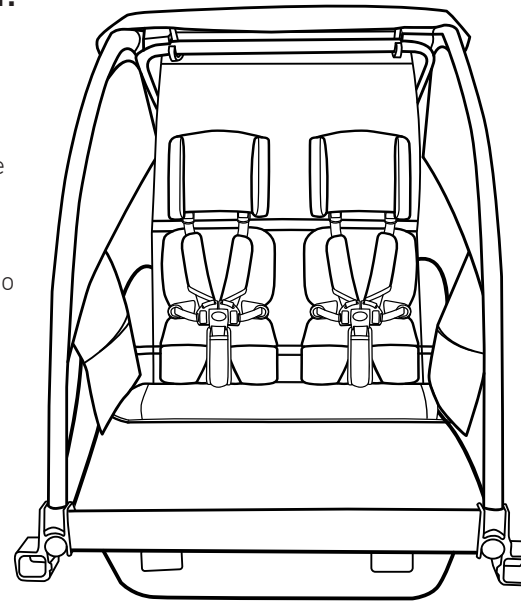
## Capacidades máximas

- Carga nominal:
  - 45 kg (100 lb), uno o dos niños + carga
- Peso total (sin casco):
  - 64 kg (141 lb)
- Peso máximo del niño: 18 kg (40 lb)
- Altura máxima del niño de pie (sin casco): 105 cm.
- Edad mínima de niño: 12 meses
  - Al andar en bicicleta: 12 meses
  - Al pasear: 6 meses\*
  - \*A menos que se use un accesorio aprobado por Burley

Cumpla siempre las normas locales de peso máximo del remolque.

## Contenidos de la caja:

- 1 remolque
- 1 bandera
- 2 ruedas
- 1 barra de remolque/kit de cochecito & enganche
- 2 acople rápido
- 2 fundas de receptor rápido



## Guía del remolque Burley:

1. Palanca del manillar / barra de soporte
2. Ajuste de la suspensión
3. Rueda especial
4. Montaje de la bandera
5. Acople rápido
6. Plato del patinazo
7. Lazos para luz
8. Manillar / barra de soporte
9. Barra de remolque
10. Ganchos del marco (debajo de la cubierta)
11. Palanca del freno
12. Kit de cochecito
13. Fijación para jogging
14. Identificación del modelo de remolque

## Cómo abrir su remolque

1. Levante la parte superior del marco en la parte posterior (Figura 1).
2. Tire del tubo del marco medio hacia usted (Figura 2).
3. Presione los tubos del marco uno contra otro para asegurar su unión correcta (Figura 3).

NOTA: Es más fácil abrir el remolque cuando el asiento se encuentra en la posición más reclinada o con inclinación media.

## Cómo cerrar su remolque

1. Quite la carga y los pasajeros. Quite la barra de remolque y ambas ruedas.
2. Desde la parte delantera del remolque, levante la cubierta, luego presione los pestillos amarillos de liberación y tire del marco trasero (Figura 4).
3. Dóblelo plano.

NOTA: pueden ocurrir daños en las ventanas si el remolque se dobla con las ruedas colocadas.

## ADVERTENCIA

Se deben extremar las precauciones al plegar y desplegar la unidad para evitar pillarse los dedos.

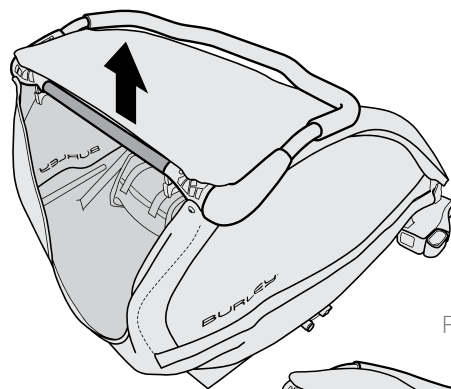


Figura 1

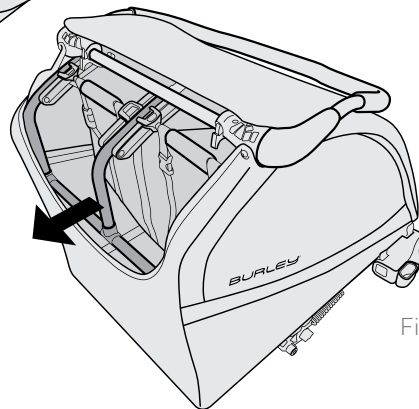


Figura 2

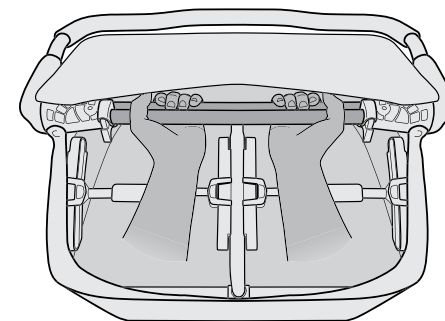
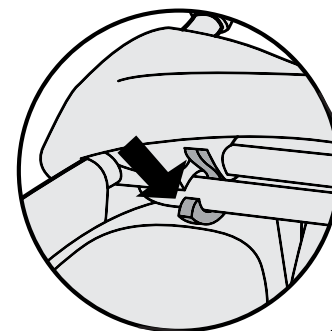


Figura 3

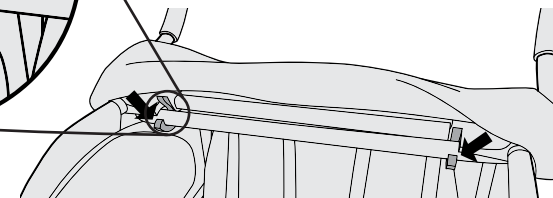


Figura 4

## Ajuste de la suspensión

1. Hay 5 puntos de posición de ajuste (Figura 5). Gire la perilla de ajuste para posicionar la suspensión. La posición superior es para las cargas más ligeras y la posición inferior es para las más pesadas. El remolque debe utilizarse con las suspensiones derecha e izquierda en la misma posición.

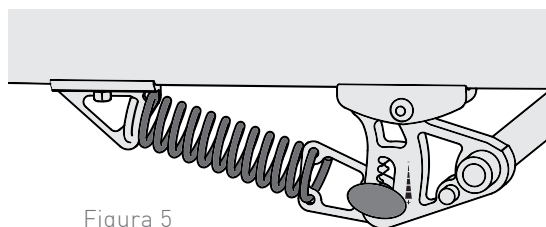


Figura 5

## Colocación de las ruedas

1. Presione el botón de goma del exterior del cojinete de la rueda (Figura 6).
2. Inserte el eje de la rueda en el receptor del eje y luego suelte el botón. Tire fuertemente de la rueda para asegurarse de que el eje esté sujeto completamente (Figura 7).

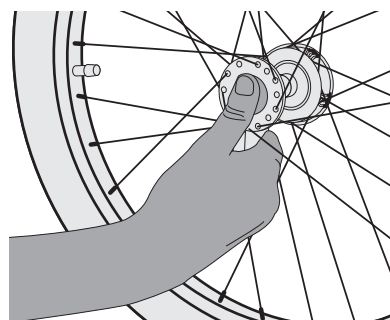


Figura 6

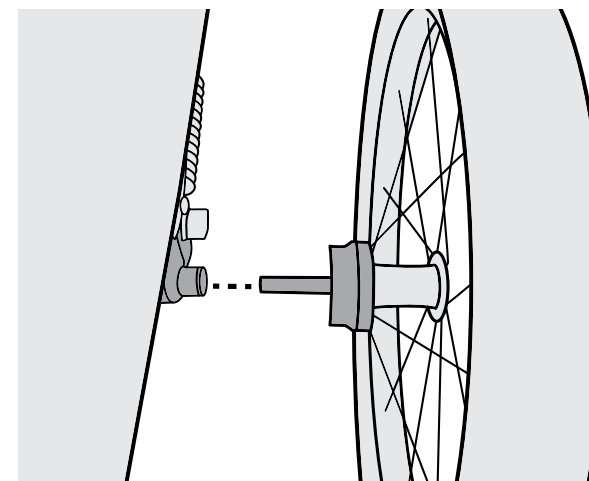


Figura 7



## Instalación de los acoples rápidos

1. Coloque el acople rápido como se indica (Figura 8).
2. Inserte el acople rápido en las monturas del receptor de aluminio hasta totalmente unido (Figura 8).
3. Inserte el manguito amarillo en el acople rápido, con las flechas hacia arriba, hasta que quede a ras con el acople rápido (Figura 9).
4. Repita la operación en el lado opuesto.

Nota: La cara inferior de los acoples rápidos tiene marcada las letras "R" para el lado derecho y "L" para el lado izquierdo que indican el lado donde se deben utilizar.

Nota: Si tiene que quitar los acoples rápidos, inserte una herramienta plana y delgada (como una llave o un destornillador de punta plana) en la sección delantera de la ranura delantera en la parte inferior del receptor para bajar la pestaña de retención (Figura 10). Una vez que haya bajado la pestaña de retención, saque el manguito de inserción amarillo del acople rápido tirando de la parte posterior.

## Instalación de la barra de remolque

1. Inserte la barra de remolque en el acople rápido hasta que el pasador de retención principal enganche la barra de remolque (Figura 11).

- Al insertar la barra de remolque, debería ver que la palanca de desacople se desplaza hacia afuera y que después vuelve a su posición original. La barra de remolque no está segura hasta que la palanca de desacople haya vuelto a su posición original (Figura 12).

3. **Tire de la barra de remolque para asegurarse de que se ha fijado de forma segura a los acoples rápidos.**
4. Pulse el botón situado encima del pasador de retención e insértelo en los orificios alineados a lo largo del acople rápido y la barra de remolque (Figura 13).

## Extracción de la barra de remolque

1. Pulse el botón y saque el pasador de retención secundario.
2. Tire de la palanca de desacople del acople rápido y saque la barra de remolque.

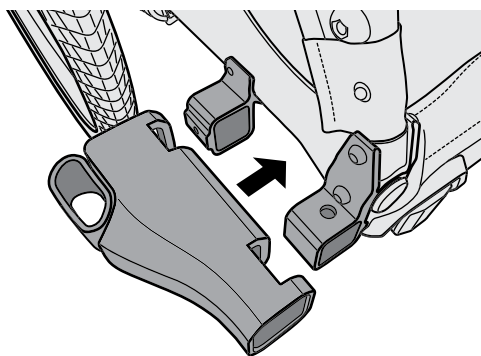


Figura 8

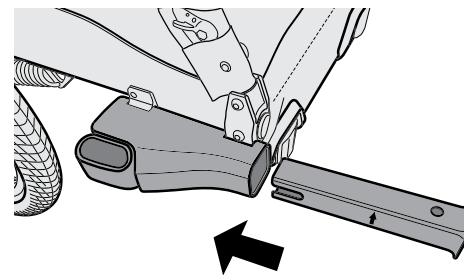


Figura 9

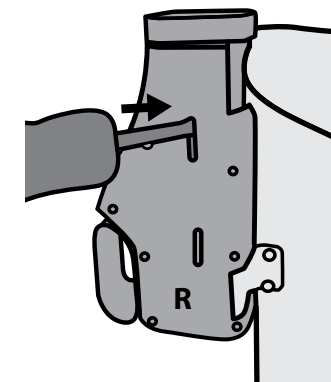


Figura 10

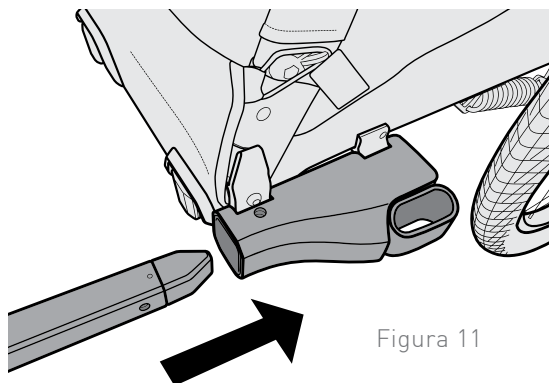


Figura 11

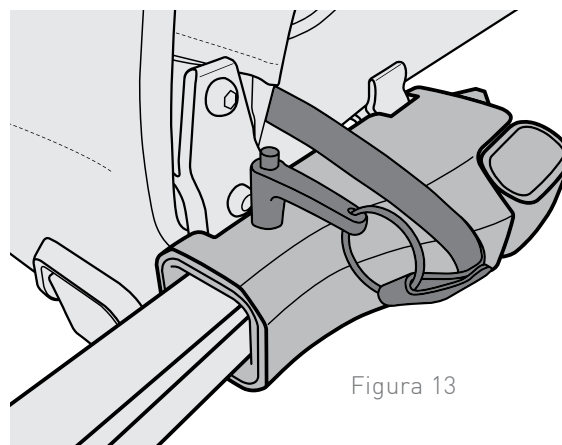


Figura 13

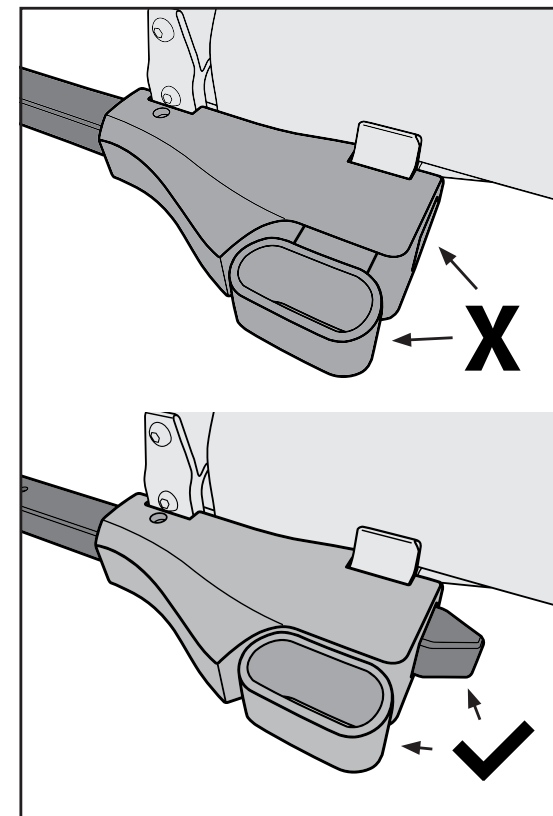


Figura 12

## Conversión al modo de cochecito

1. Tire de la horquilla tal como se muestra (Figura 14) y después gire la rueda hacia abajo completamente. La horquilla subirá automáticamente hacia la posición de bloqueo.
2. Ajuste la barra de remolque en la posición de paseo (Figura 15) sacando el pasador de retención secundario y tirando de la palanca de desacople del acople rápido, inserte la barra de remolque más hacia el remolque hasta que encaje en su posición y vuelva a montar el pasador de retención secundario.

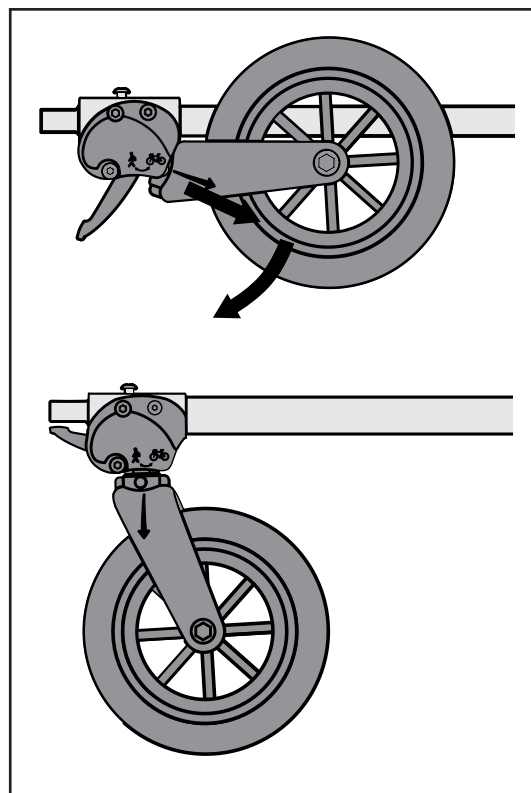


Figura 14

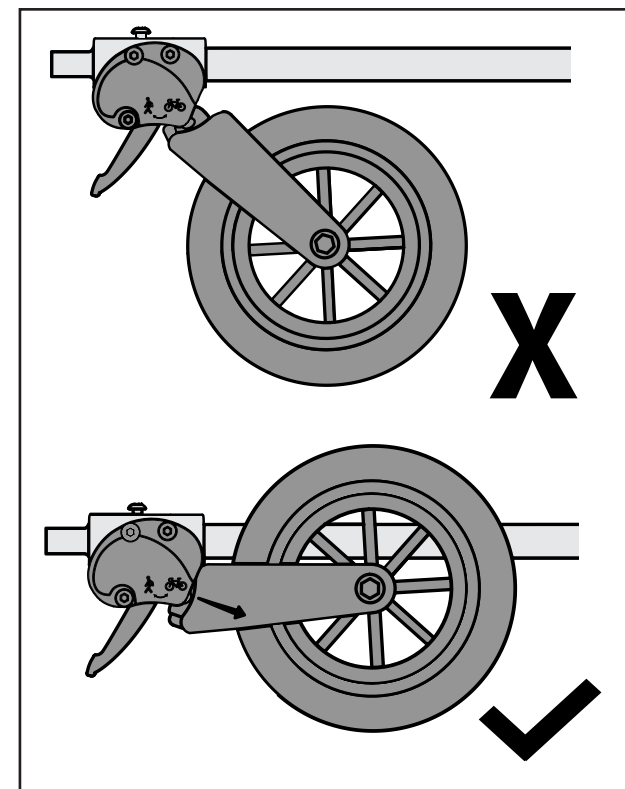


Figura 17

## Conversión al modo de remolque

1. Tire de la horquilla hacia abajo (Figura 16) y gire para entrar en el modo de cochecito tal como se muestra. La horquilla quedará automáticamente bloqueada en la posición de remolque cuando esté colocada correctamente (Figura 17).
2. Ajuste la barra de remolque en la posición de remolque sacando el pasador de retención secundario y tirando de la palanca de desacople del acople rápido, saque la barra de remolque hasta que encaje en su posición y vuelva a montar el pasador de retención secundario.

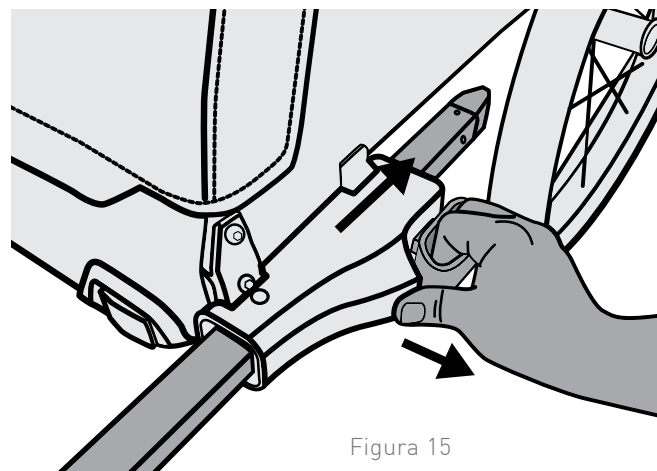


Figura 15

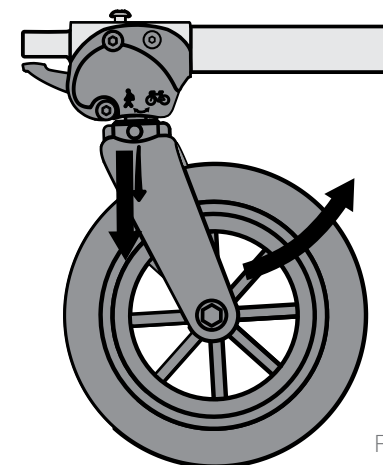


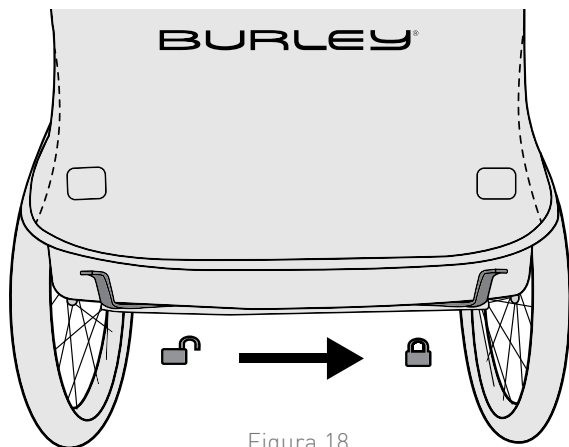
Figura 16

## ⚠ ADVERTENCIA

La rueda del cochecito siempre debe estar doblada, en modo de remolque, antes de ir colocada detrás de una bicicleta. Si no se coloca la rueda del cochecito en modo de remolque antes de ir con una bicicleta podrían producirse accidentes, lesiones graves o la muerte.

## Ajuste del freno de aparcamiento

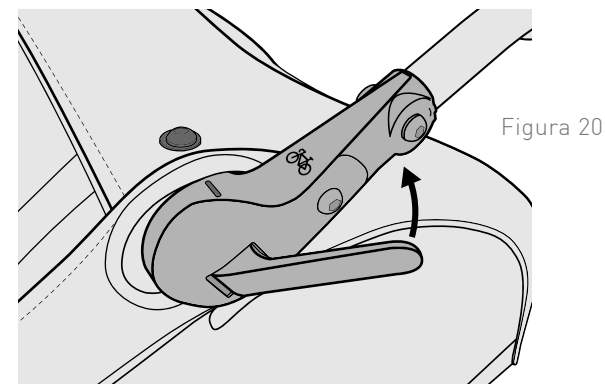
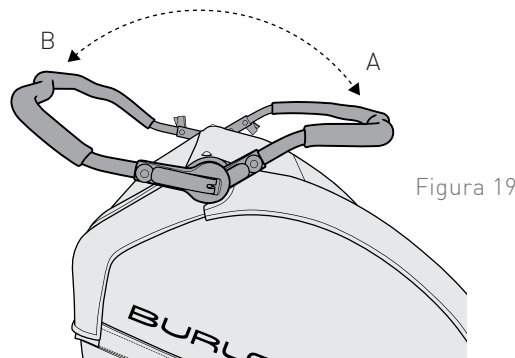
1. Deslice la palanca a la derecha (Figura 18). Para soltar el freno, deslice la palanca a la izquierda.



## Ajuste de la barra de soporte

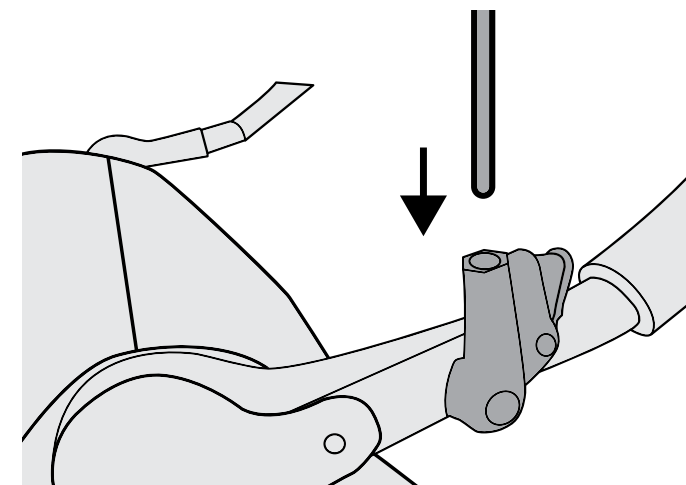
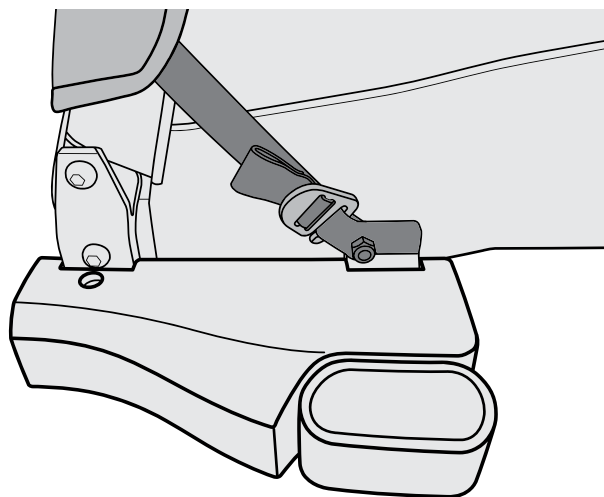
1. **Modo de remolque:** gire siempre la barra de soporte hacia adelante cuando el remolque se encuentre en modo de remolque (Figura 19A). La barra antivuelco debe estar horizontal y paralela al suelo, de modo que la marca en el manillar esté alineada con el perno que sujeta la cubierta (Figura 20).
2. **Modo de paseo / trote:** la barra de soporte puede girarse para servir como manillar mientras el remolque se encuentre en modo de paseo o trote (Figura 19B). Tire de la palanca para girar (Figura 20).

Nota: Utilice siempre la fijación para jogging para detener el remolque y evitar que ruede cuando se utilice como cochecito de paseo.



## Fijación de la cubierta y de la bandera

1. Inserte el gancho en el lazo y tire de la cincha para apretar la sujeción (Figura 21).
2. Pulse el botón amarillo e inserte el mástil de la bandera en el orificio del soporte de bandera. Para soltarlo, pulse el botón y saque el mástil de la bandera (Figura 22).



## Instalar luces adicionales

Las cintas de tela se encuentran en la parte posterior de la cubierta y se deben utilizar para fijar luces o reflectores adicionales (Ver página 31).

## Ajuste del asiento reclinable independiente

1. Para ajustar el asiento reclinable, pulse el botón amarillo del soporte del asiento, deslice hasta el ajuste deseado y suelte el botón amarillo (Figura 23).
2. Al fijarlo en su posición, alinee las marcas del asiento con una de las tres posiciones reclinables del bastidor (Figura 24).
3. Empuje con fuerza para asegurarse de que el asiento ha quedado fijado en su lugar.

Nota: No permita que el niño juegue con el botón amarillo de inclinación o la pista.

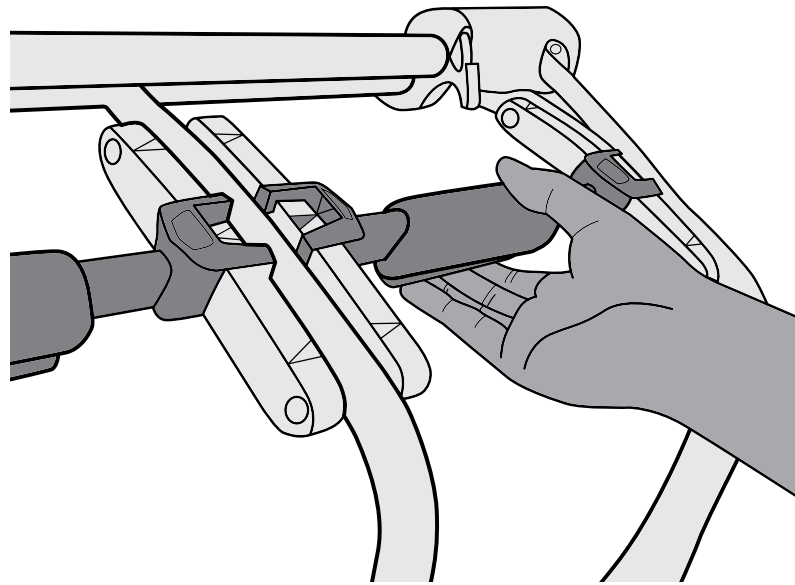


Figura 23

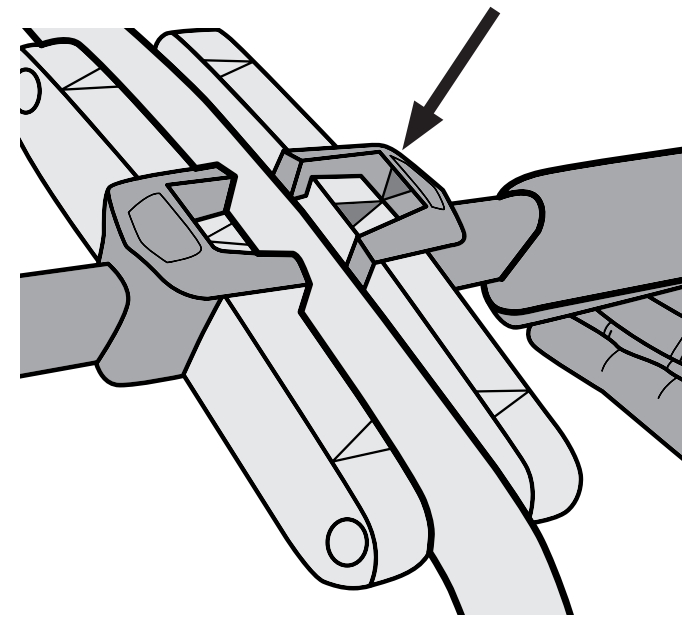


Figura 24

## Asegurar al Niño

1. Antes de subir o bajar a los niños, coloque el freno de aparcamiento. Después de subirlos, coloque y ajuste los arneses. Fije las cintas para los hombros y para la cintura a la hebilla del arnés de 5 puntos y ajuste las cintas de modo que queden fijadas de forma segura (Figura 25). Apriete y ajuste los cinturones hasta adaptarlos de forma segura.
2. Para sacar al niño, basta pulsar el botón de liberación amarillo en el arnés de cinco puntos (Figura 25a).
3. Cuando utilice el remolque doble con un niño, siente siempre al niño en la posición del lado derecho (Figura 26).

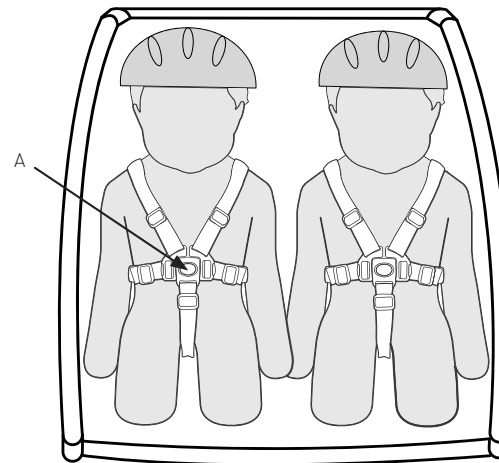


Figura 25

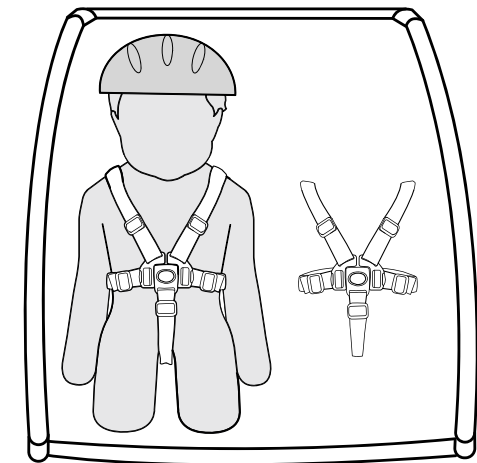


Figura 26

### ADVERTENCIA

Evite lesiones graves por caídas o deslizamientos.  
Utilice siempre el arnés de cinco puntos.

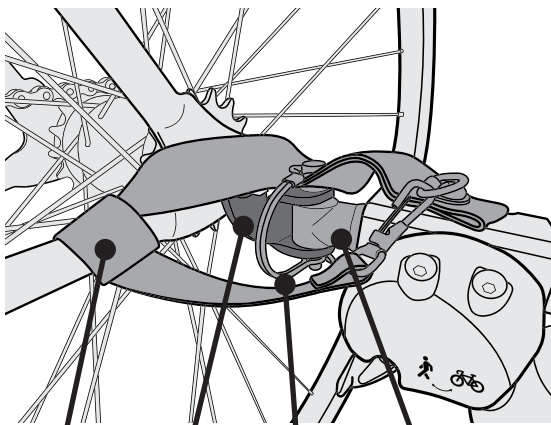
## Conexión de su remolque

1. **Colocación del enganche en la bicicleta:** quite la liberación rápida o la tuerca del lado izquierdo del eje de la rueda trasera de la bicicleta. Instale el enganche entre la liberación rápida o la tuerca y el marco (Figura 27). Apriete la liberación rápida o la tuerca de acuerdo con la recomendación del fabricante. El enganche puede permanecer en la bicicleta cuando se quita el remolque.

**Eje pasante:** consulte [Burley.com](http://Burley.com) para conocer cómo montarlo e instalarlo correctamente en la bicicleta (Figura 28).

2. **Colocación de la barra de remolque en el enganche:** inserte el conector flexible entre los dos orificios del enganche (Figura 29). Inserte el pasador de bloqueo y cierre el retén (Figura 30). Envuelva la correa de seguridad alrededor del marco de la bicicleta dos veces y engánchela al anillo en forma de D de la barra de remolque (Figura 31).

3. **Quitar la barra de remolque del enganche:** Desabroche la correa de seguridad de la anilla D y desenróllela del cuadro de la bicicleta. Abra el retén del pasador de retención y quítelo. A continuación, saque el conector flexible del enganche.



Enganche  
Conector flexible  
Correa de seguridad  
Pasador de bloqueo

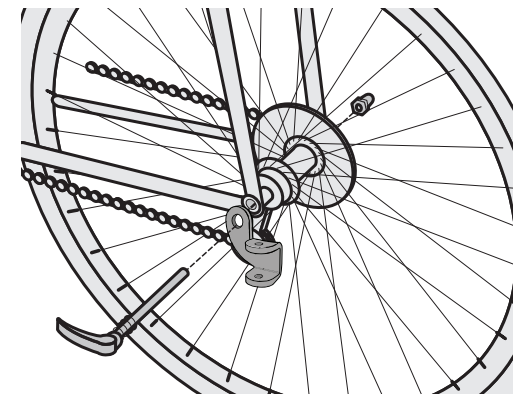


Figura 27



Figura 28

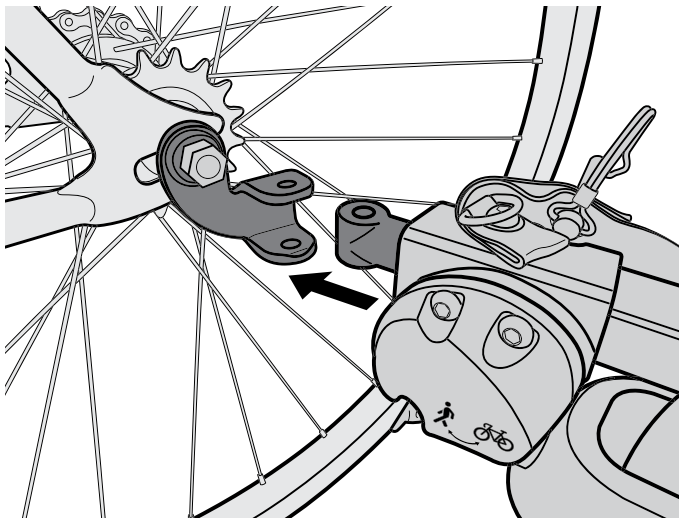


Figura 29

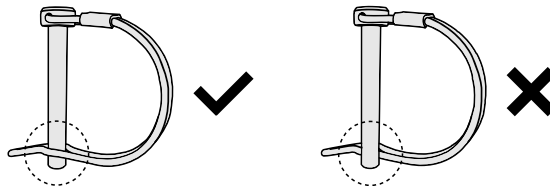
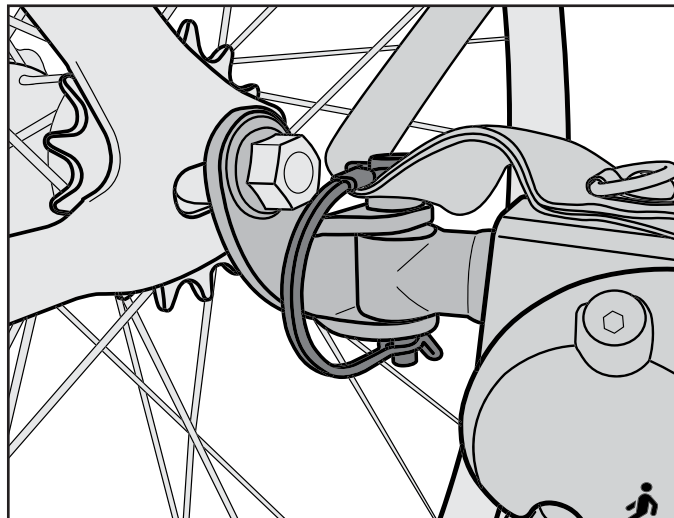


Figura 30

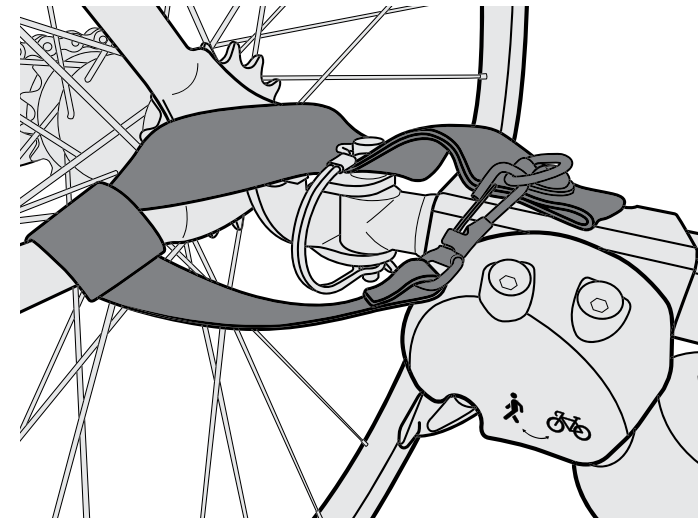


Figura 31

## Antes de usar:

### Antes de cada uso, compruebe que:

1. Las ruedas están adecuadamente fijadas al remolque.
2. Los neumáticos están inflados a la presión recomendada en el lateral del neumático.
3. Los acoples rápidos están correctamente fijados al remolque (con el manguito amarillo completamente insertado)
4. La barra de remolque está adecuadamente asegurada al remolque.
5. El enganche está adecuadamente fijado a la bicicleta.
6. El pasador de retención de enganche está asegurado y la correa de seguridad está instalada
7. El pasador de retención primario del acople rápido está fijado de forma segura y el pasador de retención está instalado
8. La carga no excede los 45 kg para los remolques para dos niños
9. El peso de la barra de remolque situada en el enganche es superior a 1 kg pero no excede los 9 kg cuando el remolque está completamente cargado.
10. La bicicleta funciona correctamente, especialmente los frenos y neumáticos (Consulte las instrucciones del fabricante de la bicicleta)
11. Todos los pasajeros utilizan casco.
12. La bandera de seguridad está colocada.
13. El niño, o los niños, están adecuadamente asegurados con arnés y cinturón ventral.
14. La cubierta está instalada y cerrada.
15. Los objetos en el área de almacenamiento no pueden activar el botón de reclinación amarillo
16. La iluminación es adecuada para las condiciones de circulación
17. La suspensión se ajusta de igual forma a ambos lados del remolque
18. El manillar está en la posición correcta

### Cada mes:

- Inspeccione la barra de remolque, el enganche, los tubos del marco, el conector flexible y otras piezas por si hubiera daños.
  - Los conectores flexibles deben revisarse cada 3-5 años para asegurarse de que funcionan con seguridad
- Revise que los tornillos están bien ajustados.
- Inspeccione los neumáticos y las rueda en busca de desgaste, grietas y ladeo
- Inspeccione las partes de tela para detectar rasgaduras, abrasiones y piezas dañadas o perdidas.

Póngase en contacto con su distribuidor Burley autorizado para reemplazar cualquier pieza desgastada o dañada.

## Mantenimiento de su Burley

### Limpieza del remolque:

- Componentes como los acoples rápidos y de inclinación se deben inspeccionar ocasionalmente y se deben limpiar para evitar la acumulación de suciedad.
- Asegúrese de que los componentes estén completamente secos antes de almacenarlos.

### Almacenamiento:

Para una mayor duración del producto, guarde el remolque en un lugar cerrado. Si deja el remolque al aire libre, protéjalo con una bolsa o cubierta de almacenamiento para remolques Burley. El remolque no debe almacenarse a temperaturas inferiores a -23 °C ni superiores a 65 °C. Los neumáticos no deben guardarse en contacto con ventanas ya que el cristal de las ventanas podría descolorarse.

### Cuidado de la tela:

Lave a mano las partes de tela con agua tibia y detergente o jabón suave. NO use lejía ni disolventes. Seque la cubierta del remolque al aire libre. Seque y almacene fuera de la luz solar directa en un lugar seco y bien ventilado. Limpie las ventanas con un paño suave y húmedo.

## Garantía limitada de Burley:

Este remolque Burley tiene garantía desde la fecha de la compra contra defectos en los materiales y en la mano de obra, según se especifica a continuación: las piezas de tela por un año, el marco y las piezas de plástico por cinco años. El recibo de compra original o el recibo de entrega que muestre la fecha de compra sirven de comprobante de adquisición.

Si encuentra algún defecto en los materiales o la mano de obra durante el periodo de la garantía limitada, nosotros, únicamente a discreción nuestra, repararemos o reemplazaremos su producto sin coste para usted. Esta garantía es válida únicamente en el país en el que fue comprado el producto.

La garantía limitada se extiende solamente al comprador inicial de este producto y no es transferible a nadie que obtenga la propiedad del producto del comprador inicial.

La garantía limitada no cubre reclamaciones derivadas del uso incorrecto, incumplimiento de las instrucciones, instalación, uso y mantenimiento inadecuados, abuso, alteración, participación en un accidente y desgaste normal. La garantía limitada no cubre productos usados para alquiler y Burley no se responsabilizará de ningún daño fortuito o comercial relacionado con dicho uso.

EN LA MEDIDA QUE ASÍ LO PERMITA LA LEY, ESTA GARANTÍA LIMITADA ES EXCLUSIVA Y REEMPLAZA A CUALQUIER OTRA GARANTÍA, ESCRITA U ORAL, INCLUIDA, SIN LIMITACIÓN ALGUNA, CUALQUIER GARANTÍA EXPRESA O IMPLÍCITA SOBRE LA COMERCIABILIDAD O APTITUD PARA UN FIN PARTICULAR. La duración de cualquier garantía implícita, incluyendo cualquier garantía implícita sobre la capacidad de comercialización o la aptitud para un fin en particular que pueda existir durante el período de la garantía expresa, está expresamente limitada al período de garantía limitada.

Algunos estados y países no permiten limitaciones sobre la duración de una garantía limitada implícita; por lo tanto, es posible que la limitación y las exclusiones no sean aplicables a su caso.

EL RECURSO EXCLUSIVO DEL CLIENTE POR EL INCUMPLIMIENTO DE ESTA GARANTÍA O DE CUALQUIER GARANTÍA IMPLÍCITA O DE CUALQUIER OTRA OBLIGACIÓN QUE SURJA CONFORME A LA LEY ESTARÁ LIMITADO SEGÚN LO ESPECIFICADO ANTERIORMENTE PARA REPARAR O REEMPLAZAR, ÚNICAMENTE A DISCRECIÓN NUESTRA. EN TODOS LOS CASOS, LA RESPONSABILIDAD POR DAÑOS ESPECIALES, FORTUITOS E INDIRECTOS ESTÁ EXPRESAMENTE EXCLUIDA.

Algunos estados no permiten la exclusión de la limitación de daños fortuitos o indirectos, por lo tanto, es posible que la limitación mencionada no sea aplicable a su caso.

Esta garantía limitada le otorga derechos legales específicos y usted puede tener otros derechos que varían de un estado a otro o de un país a otro.

Para obtener información sobre el servicio de garantía o las piezas de recambio en los EE. UU. o el Canadá, póngase en contacto con Burley directamente llamando al 800-311-5294 o enviando un correo electrónico a burley@burley.com. Para obtener información sobre el servicio de garantía o las piezas de recambio fuera de los EE. UU. y el Canadá, póngase en contacto con el establecimiento de compra sobre el servicio de garantía. Está preparado para proporcionar el modelo del producto, el número de serie y una descripción del problema de la garantía.

Algunas piezas de recambio pueden comprarse una vez finalizada esta garantía limitada. Visítenos en [www.burley.com](http://www.burley.com) o llámenos al 541-687-1644 para obtener más información.



# BURLEY®

BURLEY.COM

## **CONNECT WITH BURLEY:**

Whether you ride your bike all year long or are a fair weather rider, Burley shares your enthusiasm for making the most of your bike. Thank you for your business. We appreciate it.

## **KONTAKT MIT BURLEY:**

Ob Sie Ihr Fahrrad ganzjährig fahren oder eher ein Schönwetterfahrer sind, Burley teilt Ihren Enthusiasmus, das Beste aus Ihrem Fahrrad zu holen. Vielen Dank für Ihren Kauf. Wir wissen es zu schätzen.

## **RESTEZ CONNECTÉ AVEC BURLEY:**

Que vous enfourchiez votre vélo toute l'année ou uniquement par beau temps, Burley partage votre enthousiasme à profiter au maximum de votre vélo. Merci pour votre confiance. Nous l'apprécions.

## **CONTACTO CON BURLEY:**

Tanto si su hijo usa su bicicleta todo el año como si lo hace solo cuando el tiempo es bueno, Burley comparte su entusiasmo por aprovechar su bicicleta al máximo. Gracias por elegirnos. Se lo agradecemos.

## **PRODUCT IDENTIFICATION:**

If you have any questions about the model name or year of your Burley, please consult our product identification web page: [burley.com/support/what-year-is-my-burley](http://burley.com/support/what-year-is-my-burley)

## **PRODUKTKENNZEICHNUNG:**

Wenn Sie Fragen bezüglich des Namens oder Jahres Ihres Burley-Modells haben, besuchen Sie bitte unsere Produktidentifikations-Webseite: [burley.com/support/what-year-is-my-burley](http://burley.com/support/what-year-is-my-burley)

## **IDENTIFICATION DU PRODUIT :**

En cas de questions sur le nom ou l'année du modèle de votre produit Burley, veuillez consulter notre page Web d'identification de produit : [burley.com/support/what-year-is-my-burley](http://burley.com/support/what-year-is-my-burley)

## **IDENTIFICACIÓN DEL PRODUCTO:**

Si tiene alguna pregunta acerca del nombre o año del modelo de su Burley, consulte nuestra página web de identificación de producto: [burley.com/support/what-year-is-my-burley](http://burley.com/support/what-year-is-my-burley)

## **BURLEY DESIGN**

1500 Westec Drive  
Eugene, OR 97402

P. 541.687.1644 or 800.423.8445

F. 541.687.0436

[burley@burley.com](mailto:burley@burley.com)

©2018 Burley Design LLC

"Burley" is a registered trademark of Burley Design LLC

170486\_01



[twitter.com/burleytrailers](https://twitter.com/burleytrailers)



[facebook.com/burleytrailers](https://facebook.com/burleytrailers)



[youtube.com/burleytrailers](https://youtube.com/burleytrailers)



[instagram.com/burleydesign](https://instagram.com/burleydesign)



[pinterest.com/burleydesign](https://pinterest.com/burleydesign)



[burley.com](http://burley.com)