



Installation instructions

Akrapovič Exhaust System
Racing and Evolution
for the
Kawasaki KX250F

**FOR CLOSED COURSE COMPETITION USE ONLY.
NOT INTENDED FOR STREET USE.**



EN
Revision 1.0 10/2016



www.akrapovic.com

Congratulations on purchasing the Akrapovič exhaust system. The Akrapovič exhaust system is a product of Akrapovič d.d., Malo Hudo 8a, 1295 Ivančna Gorica, Slovenia ("Akrapovič").

Please read this entire installation manual carefully prior to installing and using the Akrapovič exhaust system.

Akrapovič exhaust system should only be installed by persons skilled in motorcycle exhaust system installation and performance. The instructions provided in this manual should be followed to ensure proper installation and safe use of the Akrapovič exhaust system. Akrapovič and/or its partners shall not be held liable for any damage or personal injury (including direct, indirect, or consequential damage) sustained as a result of improper installation of the Akrapovič exhaust system or its use and maintenance contrary to the instructions and warnings contained herein.

If you have any questions regarding the installation and/or proper use of the Akrapovič exhaust system or this manual, please contact your local Akrapovič partner.

For more information on the Akrapovič exhaust systems, see the official Akrapovič website at:
<http://www.akrapovic.com>

GENERAL INFORMATION

Your safety is our number one priority. Please ride your motorcycle responsibly, safely and always obey local traffic rules.

All statements made with regard to the exhaust system's compliance are made in respect of the exhaust system "as is". Any modifications of the Akrapovič exhaust system or its improper installation, use or maintenance that is not in accordance with this Installation manual, may result in severe damage to the exhaust system and/ or engine, as well as personal injury, and may affect the exhaust system's compliance with the legal requirements, such as exhaust system's air and/ or noise emissions (as an example, the motorcycle may not be suitable for use on public roads any longer), as well as warranty coverage.

The exhaust system may only be used in accordance with relevant laws and regulations, including state and federal, where applicable.

Damage caused by improper installation, use and maintenance of the Akrapovič exhaust system is not covered by the Akrapovič warranty. Please refer to the enclosed warranty with regard to the terms of our warranty.

Technical specifications of Akrapovič exhaust systems and related products are subject to change without notice.

COPYRIGHT AND OTHER RIGHTS NOTICE

The Akrapovič trademark, including corporate logos and emblems, are subject to copyright as well as trademark rights of Akrapovič, its licensors, or third persons authorizing Akrapovič to use them.

Any reproduction, technical or other manipulation, translation, or other use of the copyright and/or trademark rights contained herein is prohibited without the explicit prior written consent of Akrapovič. The same especially applies to the entire contents of this manual and/or any of its parts, including but not limited to technical specifications, instructions, graphs, photographs, and so on included in this manual.

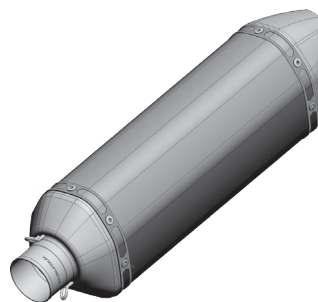
The shape of the exhaust system is protected under a registered Community Design No. RCD 002747246-0001.

Akrapovič takes all copyright and other rights infringement cases under serious consideration. If you have any reason to believe that your exhaust system is not an original Akrapovič product, please contact our local partners or Akrapovič at info@akrapovic.com.

SAFETY AND COMPLIANCE WARNING, PLEASE READ CAREFULLY

BEFORE REMOVING THE STOCK EXHAUST SYSTEM AND BEGINNING THE INSTALLATION OF YOUR NEW AKRAPOVIČ EXHAUST, PLEASE MAKE SURE THAT ALL ITEMS LISTED BELOW ARE VERIFIED:

- THIS MANUAL IS SPECIFIC TO THE MOTORCYCLE INDICATED ON THE COVER PAGE, FOR WHICH IT IS DESIGNED. INSTALLATION PROCEDURES VARY DEPENDING ON THE TYPE OF MOTORCYCLE. PLEASE VERIFY THAT THE AKRAPOVIČ **EXHAUST SYSTEM AND THIS INSTALLATION MANUAL CORRESPOND TO THE TYPE OF YOUR MOTORCYCLE.**
- THE EXHAUST SYSTEM CAN GET EXTREMELY HOT DURING AND AFTER IT IS USED. MAKE SURE NOT TO TOUCH THE EXHAUST SYSTEM UNTIL IT IS COMPLETELY COOL. **ALLOW THE EXHAUST AND ENGINE TO COOL DOWN BEFORE BEGINNING INSTALLATION OR ANY OTHER WORK ON THE EXHAUST SYSTEM.**
- MAKE SURE THE MOTORCYCLE IS **SECURELY POSITIONED TO PREVENT TIPPING OVER** AND DAMAGE TO YOURSELF AND OTHERS, OR THE MOTORCYCLE.
- PLEASE CHECK THE PARTS YOU RECEIVED AGAINST THE PARTS LIST AVAILABLE ON OUR WEBSITE (PLEASE USE THE QR CODE ON THE FRONT PAGE OR LOOK FOR “SCHEMATIC VIEW” IN THE RESPECTIVE PRODUCT PAGE ON WWW.AKRAPOVIC.COM). MAKE SURE THAT YOU HAVE **ALL THE PARTS NECESSARY FOR THE INSTALLATION** OF YOUR NEW AKRAPOVIČ EXHAUST SYSTEM. IF ANY OF THE PARTS IS MISSING, PLEASE DO NOT PROCEED WITH UNINSTALLING YOUR STOCK EXHAUST SYSTEM/ INSTALLING THE AKRAPOVIČ EXHAUST SYSTEM AND CONTACT THE RETAILER WHERE YOU PURCHASED THE AKRAPOVIČ EXHAUST SYSTEM.
- ALWAYS **SECURE YOUR MOTORCYCLE’S GROUND CLEARANCE.** FOR ADVANCED USERS, WE RECOMMEND YOU CHECK THE MOTORCYCLE SPRING PRELOAD SETTINGS TO OPTIMIZE GROUND CLEARANCE WHERE POSSIBLE.
- EVERY EXHAUST SYSTEM MUFFLER HAS ITS UNIQUE SERIAL NUMBER, WHICH IDENTIFIES THE AUTHENTICITY OF THE PRODUCT. YOU CAN FIND THE SERIAL NUMBER ON THE MUFFLER’S INLET PIPE. PLEASE REFER TO THE PICTURE BELOW. PLEASE VERIFY THAT YOUR EXHAUST SYSTEM IS AN ORIGINAL AKRAPOVIČ PRODUCT. IF YOU HAVE ANY DOUBTS, PLEASE CONTACT THE RESELLER WHERE YOU PURCHASED THE EXHAUST SYSTEM OR AKRAPOVIČ PARTNERS. THIS MANUAL, ANY CERTIFICATES AND AKRAPOVIČ WARRANTY APPLY TO ORIGINAL PRODUCTS ONLY.



SERIAL NUMBER POSITION

NOISE AND EMISSION WARNINGS

General warning

Because of the world-wide distribution of Akrapovič d.d. products, neither Akrapovič d.d. nor any of its subsidiaries make any representation that the products comply with the air and/or noise emissions laws, or labeling laws, of any jurisdiction. The purchasers are entirely responsible for informing themselves of the applicable laws where the products are to be used and to comply with those law.

Although legal compliance of Akrapovič products in a specific country should be determined by the user, you can find some basic guidance on compliance of your Akrapovič exhaust system with various legal requirements on the product-related part of our website (please use the QR code on the front page or look for the respective product page on www.akrapovic.com). For EC and ECE type approvals, please refer to the certificate enclosed to your product.

USA WARNING

Various U.S. states and the U.S. federal government have individual laws regulating the use of aftermarket exhaust parts and systems, especially as those parts and systems modify, remove, or replace original equipment catalysts. Please consult the appropriate laws in your area before installing any aftermarket part or system on your vehicle to ensure compliance with all applicable laws. Neither Akrapovic d.d. nor any of their subsidiaries or the sellers of the parts or systems make any representation that any of their parts or systems comply with any such laws.

CALIFORNIA WARNING

California laws prohibit the use of any aftermarket exhaust part or system that modifies, removes or replaces original equipment catalysts unless the California Air Resources Board has issued an Executive Order regarding such part or system or unless the part or system is exempted by being used only on racing vehicles on closed courses. Neither Akrapovic d.d. nor any of their subsidiaries make any representation that any of their parts or systems has received such an Executive Order or that any of their parts or systems conform with the racing vehicles exemption. The purchasers are entirely responsible for informing themselves of applicable California laws and to comply with those laws.

GENERAL NOTE

Photographs and other illustrations in this manual are symbolic and are intended to help represent individual steps for proper installation and use, as well as for a general overview. The actual component parts of the Akrapovič exhaust system may not entirely correspond to the photographs and other illustrations.

SYMBOLS

The following symbols are used throughout these installation instructions:



TOOLS AND PROTECTIVE EQUIPMENT REQUIRED



TIGHTENING TORQUE



LUBRICATION



HAND TIGHTEN



INSTALLATION TIP



CAUTION OR IMPORTANT

USE BOLT SEALANT



Apply 3 to 4 small drops of bolt sealant onto the cleaned and degreased threads before tightening the bolts.

WARNING! Avoid contact with skin, eyes and mucous membranes. Do not inhale fumes. Keep out of reach of children.

USE ANTI-SEIZE LEAD-FREE COPPER PASTE (black tube)



Provides trouble-free and long-lasting protection against seizing, corrosion and rusting of bolts, threaded ends, nuts, joints, etc. Also protects against vibration, wear and impact.

WARNING! Avoid eye contact. Keep out of reach of children.

USE ANTI-SEIZING GREASE (white tube)



Prevents seizing, corrosion and excessive wear between the titanium components of your exhaust system.

WARNING! Avoid eye contact. Keep out of reach of children.

Tools & equipment



- T-handle 8 mm wrench
- T-handle 10 mm wrench
- T-handle 12 mm wrench
- T-handle Torx 45 wrench
- Spring puller

PARTS LIST

The following parts should be found in the box:

- Installation Manual
- Homologation certificate/ compliance documents if applicable
- Warranty
- Fitting material
- Muffler and pipes

Detailed list of parts can be found on the Akrapovič website (please use the QR code on the front page or look for “Schematic view” in the respective product page on www.akrapovic.com).

REMOVAL OF STOCK EXHAUST SYSTEM:

The process of uninstalling the original exhaust system may vary depending on the existing exhaust system. Please follow the original exhaust system manufacturer’s instructions for uninstalling the original exhaust system.

If you for any reason decide otherwise, please note that any information provided in this respect herein should be considered as general information provided for your convenience only. Akrapovič shall not assume any liability or responsibility with regard to uninstalling your existing exhaust system, warranty coverage of such exhaust system or vehicle or their further fitness for use.

In case your Akrapovič exhaust system may not be used on certain roads or under certain conditions, please keep the stock or other exhaust system that you can use in such circumstances legally.

REMOVAL OF STOCK EXHAUST SYSTEM:

1. Put the motorcycle on a central racing stand. Make sure, that surface is solid and flat.
2. Unscrew the marked bolts and remove the right side panel (F 01).

! IMPORTANT: be careful not to damage any part of the motorcycle during this procedure!



3. Loosen the marked clamp and unscrew the link pipe's bracket bolt (F 02).

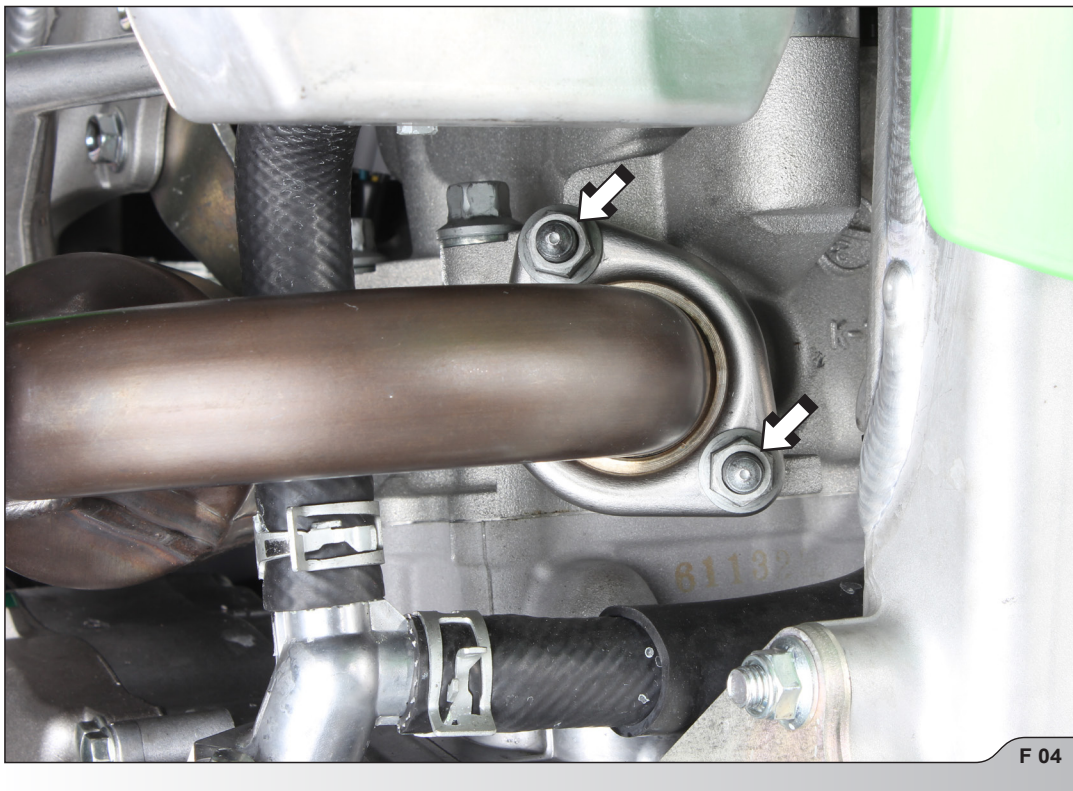
! IMPORTANT: be careful not to damage any part of the motorcycle during this procedure!



4. Unscrew the muffler's bracket bolt and carefully remove the muffler off the motorcycle (F 03).
! IMPORTANT: support the muffler during this process!
! CAUTION: be careful not to injure yourself or damage any part of the motorcycle during this procedure!



5. Unscrew the two marked nuts and carefully remove the stock header pipe off the motorcycle (F 04).
! IMPORTANT: be careful not to damage any part of the motorcycle during this procedure!



INSTALLATION OF THE AKRAPOVIČ EXHAUST SYSTEM:

1. Set up the sleeve together with the flange and springs, as shown (F 05).

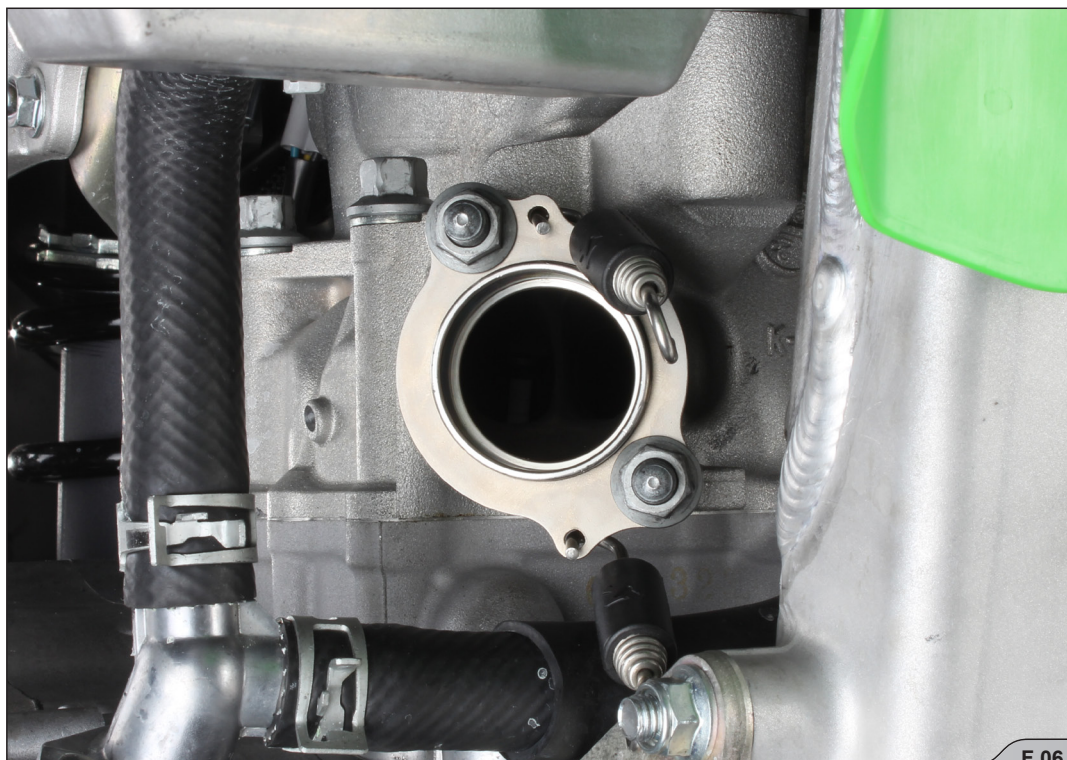


F 05

2. Install the assembled sleeve, flange and springs onto the motorcycle and hand tighten the two marked stock nuts (F 06).

! IMPORTANT: do not fully tighten the nuts yet!

✘ INSTALLATION TIP: use new stock exhaust port gasket.



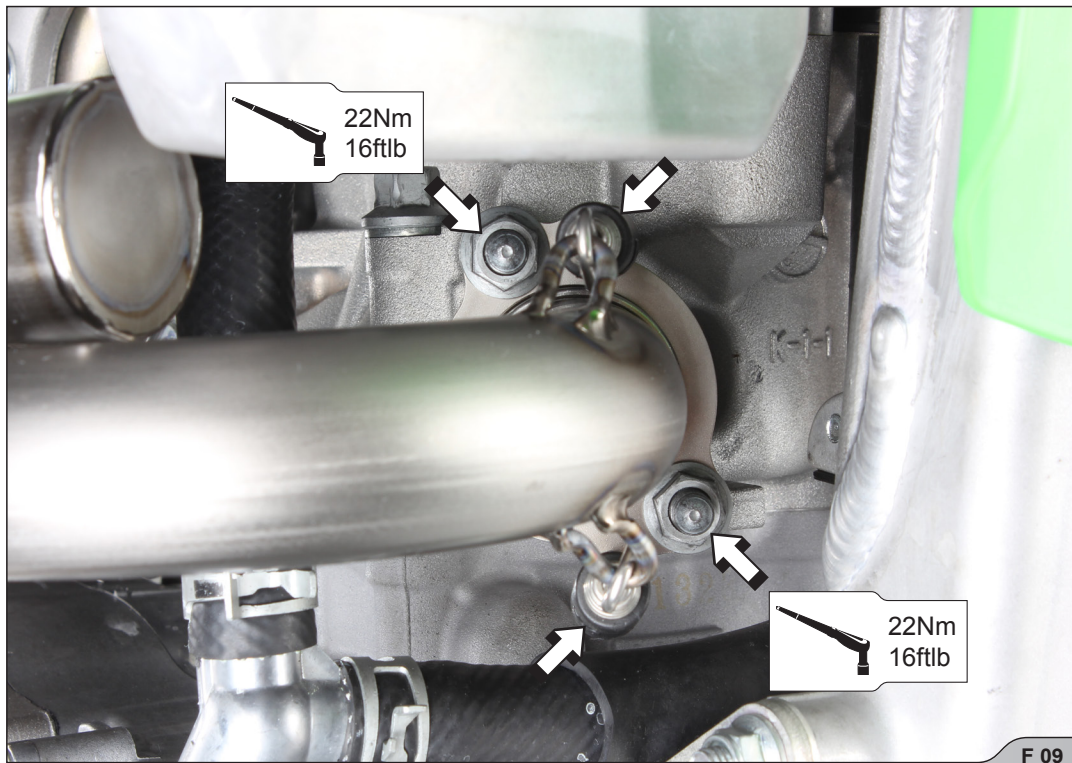
F 06

3. Assemble the carbon fiber heat shield onto the header tube, using Akrapovič bolts and heat resistant washers (F 07, 08).
- ✘ INSTALLATION TIP:** screw the heat resistant washers onto the bolts; do not try to push them on!
- ! IMPORTANT:** make sure to place the bigger heat resistant washers between the header tube and carbon fiber heat shield and smaller washers between bolts' heads and heat shield!



4. Insert the header tube into the sleeve, attach the springs and tighten the nuts to a specified torque (F 09).

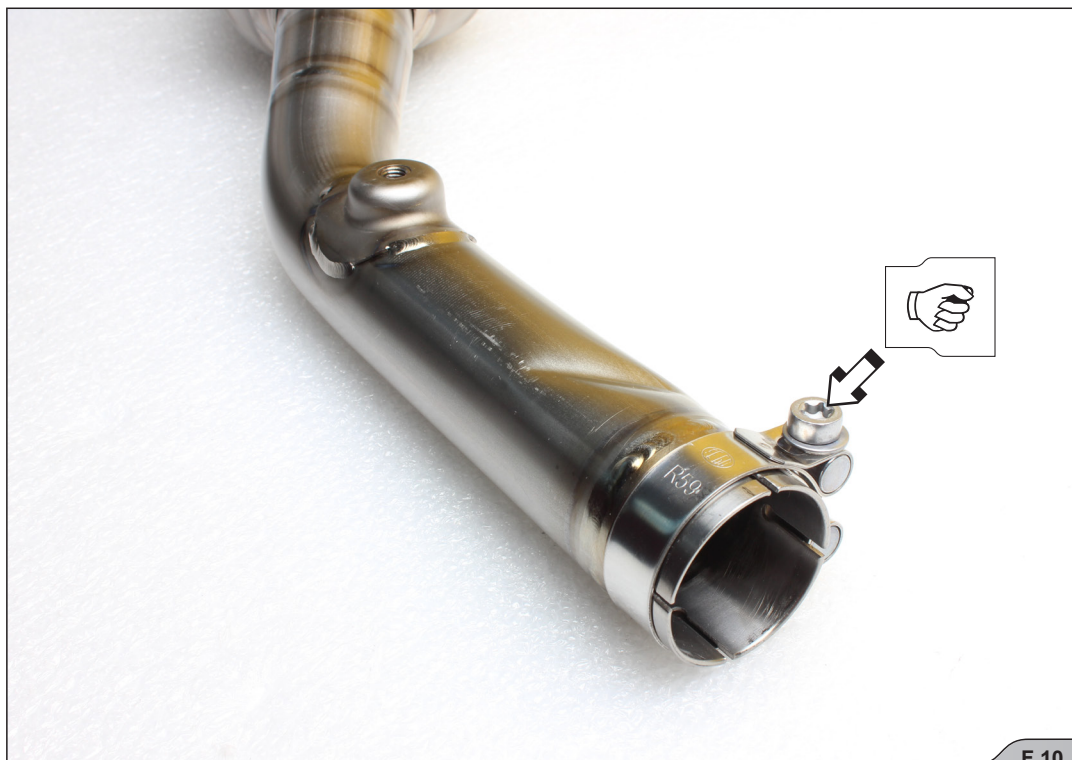
! **IMPORTANT:** before tightening the nuts, make sure, that springs pull the header tube all the way into the sleeve – use rubber mallet if necessary to tap the connection into place!



F 09

5. Assemble the clamp from Akrapovič installation kit onto the muffler's inlet pipe, as shown (F 10).

! **IMPORTANT:** hand tighten the clamp only!



F 10

6. Assemble the aluminium bushes into the rubber muffler's bracket, as shown (F 11, 12).



7. Carefully slide the muffler onto the outlet side of the header pipe. Hand tighten the clamp, muffler's bracket (using stock bolt and washer from Akrapovič installation kit), link pipe's bracket bolt (using stock bolt) and attach the longer spring from Akrapovič installation kit, as shown (F 13).

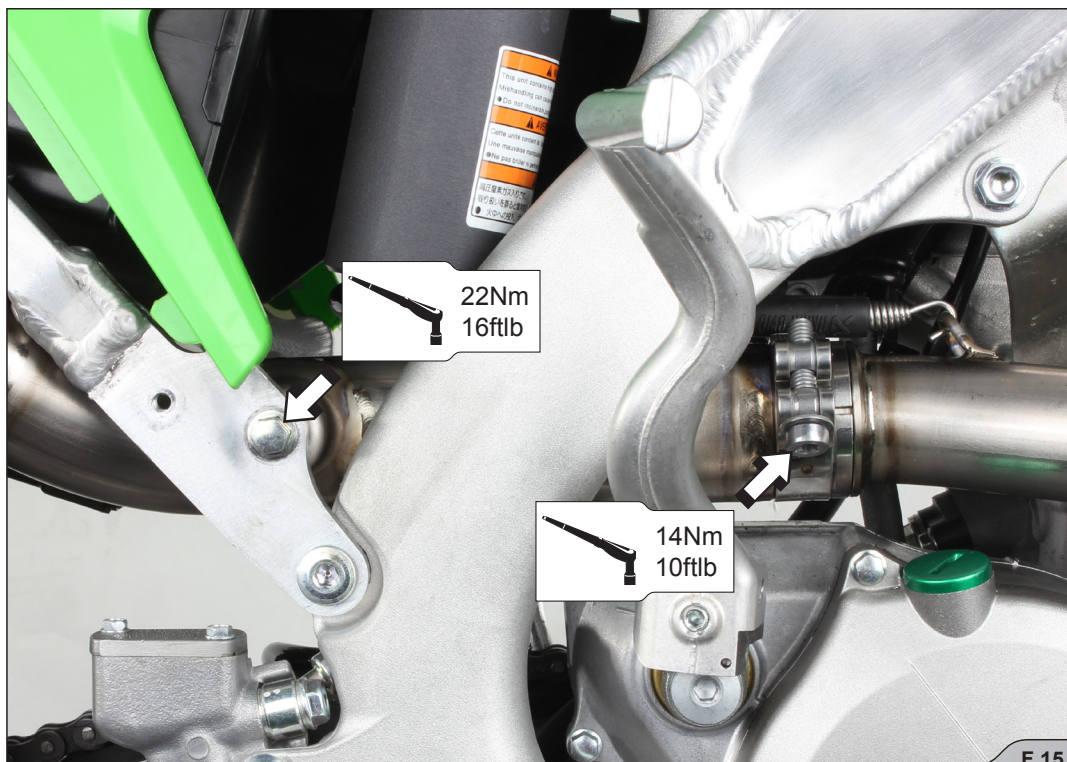
! **IMPORTANT: do not fully tighten the bolts yet!**

! **IMPORTANT: be careful not to damage any part of the motorcycle during this procedure!**



8. Align the muffler in respect to the motorcycle and tighten the muffler's bracket bolt, link pipe's bracket bolt and clamp to the specified torque (F 14, 15).





F 15

9. Reattach the right side panel and tighten the marked bolts to the specified torques (F 16).

! IMPORTANT: be careful not to damage any part of the motorcycle during this procedure!



F 16

FINAL INSTALLATION AND MAINTENANCE:

Clean grease spots off all exhaust system surfaces, when installation is finished. Cleaning will prevent spots from burning onto the surface. Do not use aggressive chemical cleaners, because they can damage the surface or sticker.

1. Muffler – titanium outer sleeve: use a soft cloth sprayed with a multi-purpose spray lubricant (WD-40[®] or equivalent)*.
2. Muffler – carbon-fiber outer sleeve: use a soft dry cloth sprayed with all purpose foam cleaner, then wipe with a soft dry cloth.
3. Muffler – carbon-fiber outlet cap: use a soft dry cloth sprayed with all purpose foam cleaner, then wipe with a soft dry cloth.
4. Painted mufflers and parts – use a soft cloth sprayed with all purpose foam cleaner, then wipe with a soft dry cloth.
5. Chrome plated mufflers and parts: use a soft cloth sprayed with all purpose foam cleaner, then wipe with a soft dry cloth.
6. Stainless steel pipes: use a soft cloth sprayed with a contact cleaner, then wipe with a soft dry cloth.
7. Titanium pipes: use a soft cloth sprayed with a multi-purpose spray lubricant (WD-40[®] or equivalent)*.

*WD-40[®] is a trademark of the WD-40 Company.

Periodically make sure all the bolts and springs are sufficiently tight.



IMPORTANT: make sure all the bolts are sufficiently tightened. In case the exhaust system touches the cowling or other parts repeat the adjustment of the exhaust system or contact your authorized dealer!



CAUTION: after running engine for 30 minutes, retighten the bolts of the Akrapovič carbon-fiber heat shield!



INSTALLATION TIP: IT IS NORMAL IF WHITE SMOKE COMES OUT OF THE MUFFLER DURING THE FIRST 100 KM AFTER REPLACEMENT.



INSTALLATION TIP: A CHANGE IN THE COLOR OF THE EXHAUST SYSTEM IS NORMAL DUE TO THE HIGH TEMPERATURES.



CAUTION: DO NOT STAND BEHIND THE MUFFLER AT ANY TIME.



IMPORTANT: DO NOT USE AUTOMOTIVE WHEEL CLEANERS OR ANY CLEANING PRODUCTS WHICH CONTAIN ACIDIC ADDITIVES TO CLEAN AKRAPOVIČ EXHAUST SYSTEMS.

TROUBLESHOOTING:

Problem	Possible cause	Solution
Exhaust gas leaks out of the muffler/pipe clamp connections	loosened clamp	tighten the clamp to specified torque
	connection is not completely joined	tap the connection into place and tighten the clamp to specified torque



DE	Einbauanleitung Akrapovič-Auspuffanlage Racing and Evolution
IT	Istruzioni per il montaggio Impianto di scarico Akrapovič Racing and Evolution
FR	Instructions d'installation Système d'échappement d'Akrapovič Racing and Evolution
ES	Instrucciones de montaje Sistema de escape Akrapovič Racing and Evolution
PT	Instruções de montagem Sistema de Escape Akrapovič Racing and Evolution
SI	Navodila za namestitev Izpušni sistem Akrapovič Racing and Evolution

Kawasaki KX250F



505560





Einbauanleitung

Akrapovič-Auspuffanlage
Racing und Evolution
für
Kawasaki KX250F

**NUR FÜR DEN GEBRAUCH AUF
GESCHLOSSENEN RENNSTRECKEN.
NICHT FÜR DEN STRASSEN
GEBRAUCH VORGESEHEN.**

Herzlichen Glückwunsch zum Kauf Ihrer Akrapovič-Auspuffanlage. Die Akrapovič-Auspuffanlage ist ein Produkt von Akrapovič d.d., Malo Hudo 8a, 1295 Ivančna Gorica, Slowenien („Akrapovič“).

Bitte lesen Sie die gesamte Einbauanleitung sorgfältig, bevor Sie die Akrapovič-Auspuffanlage einbauen und nutzen.

Die Akrapovič-Auspuffanlage sollte nur von Personen eingebaut werden, die sich mit dem Einbau von Auspuffanlagen in Motorräder und deren Eigenschaften auskennen. Die in dieser Anleitung gegebenen Anweisungen sollten befolgt werden, um einen ordnungsgemäßen Einbau und eine sichere Nutzung der Akrapovič-Auspuffanlage sicherzustellen. Akrapovič und/oder ihre Partner haften nicht für Sach- oder Personenschäden (einschließlich direkter, indirekter oder Folgeschäden), die infolge eines fehlerhaften Einbaus der Akrapovič-Auspuffanlage oder ihrer Nutzung und Wartung entgegen den hierin enthaltenen Anweisungen und Warnungen auftreten.

Sollten Sie Fragen bezüglich des Einbaus und/oder der ordnungsgemäßen Nutzung der Akrapovič-Auspuffanlage oder dieser Anleitung haben, wenden Sie sich bitte an Ihren Akrapovič-Partner vor Ort.

Weitere Informationen über die Akrapovič-Auspuffanlagen finden Sie auf der offiziellen Website von Akrapovič unter: <http://www.akrapovic.com>

ALLGEMEINE INFORMATIONEN

Ihre Sicherheit hat für uns oberste Priorität. Bitte fahren Sie Ihr Motorrad verantwortungsvoll, sicher und halten Sie sich stets an die örtlichen Verkehrsregeln.

Alle Aussagen hinsichtlich der Übereinstimmung der Auspuffanlage mit den gesetzlichen Vorschriften beziehen sich auf die Auspuffanlage „wie geliefert“. Jegliche Veränderungen an der Akrapovič-Auspuffanlage oder ein unsachgemäßer Einbau, eine unsachgemäße Verwendung oder Wartung der Anlage abweichend von dieser Einbauanleitung können zu schweren Schäden an der Auspuffanlage und/oder am Motor sowie zu Personenschäden führen und können die Übereinstimmung der Auspuffanlage mit den gesetzlichen Erfordernissen beeinflussen, wie zum Beispiel die Luft- und Lärmemissionen der Auspuffanlage (so ist das Fahrzeug dann beispielsweise nicht mehr für die Nutzung auf öffentlichen Straßen geeignet), sowie den Garantiefumfang.

Die Auspuffanlage darf nur im Einklang mit allen geltenden Gesetzen und Vorschriften genutzt werden, einschließlich gegebenenfalls Staats- und Bundesgesetzen.

Schäden, die durch einen unsachgemäßen Einbau, eine unsachgemäße Verwendung und Wartung der Akrapovič-Auspuffanlage entstehen, sind nicht durch die Garantie von Akrapovič gedeckt. Bitte beachten Sie sich in Bezug auf unsere Garantiebedingungen den beiliegenden Garantieschein.

Die technischen Spezifikationen von Akrapovič-Auspuffanlagen und zugehörigen Produkten können ohne vorherige Ankündigung geändert werden.

URheberRECHT UND ANDERE RECHTLICHE HINWEISE

Die Marke Akrapovič einschließlich der Firmenlogos und -embleme unterliegt dem Urheberrecht sowie den Markenschutzrechten von Akrapovič, den Lizenznehmern des Unternehmens und Dritten, die Akrapovič die Nutzung genehmigen.

Jede Reproduktion, technische oder sonstige Manipulation, Übersetzung oder sonstige Nutzung der hierin enthaltenen Urheber- und/oder Markenschutzrechte ohne die vorherige ausdrückliche schriftliche Genehmigung von Akrapovič ist untersagt. Das gleiche gilt insbesondere für den gesamten Inhalt dieser Anleitung und/oder für Teile davon, einschließlich, jedoch nicht beschränkt auf technische Spezifikationen, Anweisungen, Diagramme, Fotos und so weiter, die in dieser Anleitung enthalten sind.

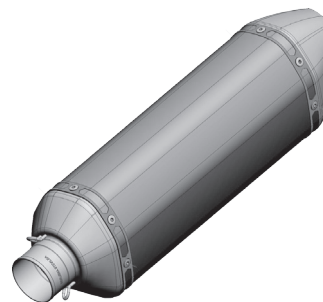
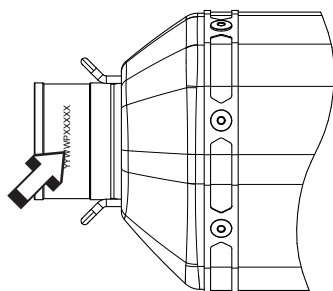
Die Form der Auspuffanlage ist unter dem registrierten Gemeinschaftsgeschmacksmuster Nr. RCD 002747246-0001 geschützt.

Akrapovič unterzieht alle Fälle von Verstößen gegen Urheber- und andere Rechte einer eingehenden Prüfung. Sollten Sie Grund zu der Annahme haben, dass es sich bei Ihrer Auspuffanlage nicht um ein Originalprodukt von Akrapovič handelt, wenden Sie sich bitte an unsere Partner vor Ort oder an Akrapovič unter info@akrapovic.com.

SICHERHEITS- UND KONFORMITÄTSWARNUNG, BITTE SORGFÄLTIG LESEN

BITTE ACHTEN SIE DARAUF, DASS VOR DEM ENTFERNEN DER ORIGINAL-AUSPUFFANLAGE UND DEM BEGINN DES EINBAUS IHRER NEUEN AKRAPOVIČ-AUSPUFFANLAGE ALLE UNTEN AUFGEFÜHRTEN TEILE ÜBERPRÜFT WURDEN:

- DIESE ANLEITUNG IST SPEZIELL FÜR DAS AUF DER TITELSEITE ANGEGEBENE MOTORRAD VORGESEHEN, FÜR DAS SIE KONZIPIERT WURDE. DIE EINBAUVORGÄNGE UNTERSCHIEDEN SICH JE NACH MOTORRADMODELL. BITTE ÜBERPRÜFEN SIE OB DIE AKRAPOVIČ-AUSPUFFANLAGE UND DIESE EINBAUANLEITUNG MIT DEM MODELL IHRES MOTORRADS ÜBEREINSTIMMEN.
- DIE AUSPUFFANLAGE KANN WÄHREND UND NACH DEM GEBRAUCH EXTREM HEISS WERDEN. ACHTEN SIE DARAUF, DASS SIE DIE AUSPUFFANLAGE NICHT BERÜHREN, BEVOR SIE VOLLSTÄNDIG ABGEKÜHLT IST. **WARTEN SIE, BIS DIE AUSPUFFANLAGE UND DER MOTOR ABGEKÜHLT SIND, BEVOR SIE MIT DEM EINBAU BEGINNEN.**
- ACHTEN SIE DARAUF, DASS DAS MOTORRAD **SICHER STEHT, UM EIN UMFALLEN** SOWIE VERLETZUNGEN IHRER EIGENEN PERSON UND ANDERER ODER SCHÄDEN AM MOTORRAD ZU VERMEIDEN.
- BITTE GLEICHEN SIE DIE ERHALTENEN TEILE MIT DER AUF UNSERER WEBSITE VERFÜGBAREN TEILELISTE AB (BITTE VERWENDEN SIE DEN QR-CODE AUF DER VORDERSEITE ODER SUCHEN SIE NACH „SCHEMATISCHE ÜBERSICHT“ AUF DER JEWEILIGEN PRODUKTSEITE UNTER WWW.AKRAPOVIC.COM). STELLEN SIE SICHER, DASS IHNEN **ALLE ERFORDERLICHEN TEILE FÜR DEN EINBAU** IHRER NEUEN AKRAPOVIČ-AUSPUFFANLAGE ZUR VERFÜGUNG STEHEN. SOLLTE EIN TEIL FEHLEN, BAUEN SIE IHRE ORIGINAL-AUSPUFFANLAGE BITTE NICHT AB/BAUEN SIE DIE AKRAPOVIČ-AUSPUFFANLAGE NICHT EIN UND WENDEN SIE SICH AN DEN HÄNDLER, BEI DEM SIE DIE AKRAPOVIČ-AUSPUFFANLAGE GEKAUFT HABEN.
- STELLEN SIE **STETS DIE BODENFREIHEIT IHRES MOTORRADS SICHER**. FORTGESCHRITTENEN NUTZERN EMPFEHLEN WIR, DIE FEDERVORSpannungSEINSTELLUNGEN DES MOTORRADS ZU ÜBERPRÜFEN, UM DIE BODENFREIHEIT NACH MÖGLICHKEIT ZU OPTIMIEREN.
- JEDER SCHALLDÄMPFER DER AUSPUFFANLAGE HAT EINE EINMALIGE SERIENNUMMER, DIE AUTHENTIZITÄT DES PRODUKTS BEWEIST. SIE FINDEN DIE SERIENNUMMER AUF DEM EINLASSROHR DES SCHALLDÄMPFERS. BITTE SEHEN SIE SICH HIERZU DAS BILD UNTEN AN. BITTE ÜBERPRÜFEN SIE, OB IHRE AUSPUFFANLAGE EIN ORIGINALPRODUKT VON AKRAPOVIČ IST. SOLLTEN SIE ZWEIFEL DARAN HABEN, WENDEN SIE SICH BITTE AN DEN HÄNDLER, BEI DEM SIE DIE AUSPUFFANLAGE GEKAUFT HABEN, ODER AN EINEN AKRAPOVIČ-PARTNER. DIESE ANLEITUNG, ALLE ZERTIFIKATE UND DIE AKRAPOVIČ-GARANTIE BEZIEHEN SICH NUR AUF ORIGINALPRODUKTE.



POSITION DER SERIENNUMMER

WARNUNGEN ZU LÄRM UND EMISSIONEN

Allgemeine Warnung

Aufgrund des weltweiten Vertriebs der Produkte von Akrapovič d.d. garantieren weder Akrapovič d.d. noch eine ihrer Tochtergesellschaften in irgendeiner Weise, dass die Auspuffanlage den Gesetzen zu Luft- und/oder Lärmemission oder den Kennzeichnungsgesetzen den Vorschriften einer Gesetzgebung entspricht. Die Käufer sind in vollem Umfang allein dafür verantwortlich, sich über die geltenden Gesetze des Landes zu informieren, in dem die Produkte verwendet werden sollen, und sich an diese Gesetze zu halten.

Obwohl die rechtliche Konformität von Akrapovič-Produkten in einem bestimmten Land vom Nutzer festgestellt werden muss, finden Sie einige grundlegende Hinweise zur Konformität Ihrer Akrapovič-Auspuffanlage mit verschiedenen gesetzlichen Anforderungen im produktbezogenen Teil unserer Website (bitte verwenden Sie den QR-Code auf der Vorderseite oder suchen Sie auf www.akrapovic.com nach der jeweiligen Produktseite). Die EG- und ECE-Betriebserlaubnis finden Sie auf dem Zertifikat, das Ihrem Produkt beiliegt.

USA-WARNUNG

Mehrere Staaten in den USA und die Bundesregierung der USA haben unterschiedliche Gesetze, die die Nutzung von Nachrüst-Auspuffteilen und -anlagen regeln, insbesondere, wenn diese Teile und Anlagen die Katalysatoren der Originalausstattung verändern, entfernen oder ersetzen. Bitte erkundigen Sie sich über die entsprechenden Gesetze in Ihrer Region, bevor Sie ein Nachrüstteil oder eine Nachrüstanlage in Ihr Fahrzeug einbauen, um sicherzustellen, dass alle anwendbaren Gesetze eingehalten werden. Weder Akrapovic d.d. noch ihre Tochtergesellschaften garantieren, dass eines ihrer Teile oder eine ihrer Anlagen diesen Gesetzen entspricht.

WARNUNG FÜR KALIFORNIEN







Die kalifornischen Gesetze untersagen die Nutzung jeglicher Nachrüst-Auspuffteile oder -anlagen, die Katalysatoren der Originalausstattung verändern, entfernen oder ersetzen, falls vom California Air Resources Board keine Durchführungsverordnung für dieses Teil oder diese Anlage erlassen wurde oder falls das Teil oder die Anlage nicht aufgrund der Nutzung ausschließlich an Rennfahrzeugen auf geschlossenen Rennstrecken von dieser Regelung ausgenommen ist. Weder Akrapovic d.d. noch ihre Tochtergesellschaften garantieren, dass für eines ihrer Teile oder eine ihrer Anlagen eine solche Durchführungsverordnung erlassen wurde oder dass eines ihrer Teile oder eine ihrer Anlagen der Ausnahmeregelung für Rennfahrzeuge entsprechen. Die Käufer sind in vollem Umfang allein dafür verantwortlich, sich über die anwendbaren kalifornischen Gesetze zu informieren und sich an diese Gesetze zu halten.

ALLGEMEINER HINWEIS

Fotos und sonstige Abbildungen in dieser Anleitung sind symbolisch und dafür vorgesehen, bei der Darstellung der einzelnen Schritte für einen ordnungsgemäßen Einbau und Gebrauch zu helfen, und geben einen allgemeinen Überblick. Die tatsächlichen Bauteile der Akrapovič-Auspuffanlage stimmen möglicherweise nicht vollständig mit den Fotos und sonstigen Abbildungen überein.

SYMBOLE

Die folgenden Symbole werden in dieser Einbauanleitung verwendet:

	WERKZEUG UND SCHUTZAUSRÜSTUNG ERFORDERLICH		ANZIEHDREHMOMENT
	SCHMIERUNG		VON HAND FESTZIEHEN
	EINBAUTIPP		VORSICHT ODER WARNUNG

SCHRAUBENDICHTUNGSMITTEL VERWENDEN



Geben Sie 3 bis 4 Tropfen Schraubendichtungsmittel auf das gereinigte und entfettete Gewinde, bevor Sie die Schrauben festziehen.

WARNUNG! Vermeiden Sie den Kontakt mit Haut, Augen und Schleimhäuten. Inhalieren Sie keine Dämpfe. Außerhalb der Reichweite von Kindern aufbewahren.

VERWENDEN SIE BLEIFREIES HEISSSCHRAUBEN-COMPOUND (schwarze Tube)



Sorgt für einen problemlosen und lang anhaltenden Schutz gegen Festfressen, Korrosion und das Rosten von Schrauben, Einschraubenden, Muttern, Verbindungen usw. Schützt außerdem vor Vibration, Abnutzung und Erschütterungen.

WARNUNG! Augenkontakt vermeiden. Außerhalb der Reichweite von Kindern aufbewahren.

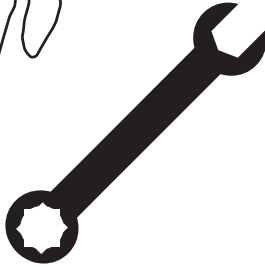
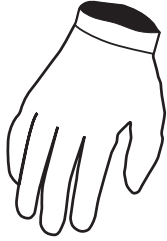
HEISSSCHRAUBEN-COMPOUND VERWENDEN (weiße Tube)



Verhindert Festfressen, Korrosion und übermäßige Abnutzung zwischen den Titan-Komponenten Ihrer Auspuffanlage.

WARNUNG! Augenkontakt vermeiden. Außerhalb der Reichweite von Kindern aufbewahren.

Werkzeug und Ausrüstung



- Quergriff-Schlüssel 8 mm
- Quergriff-Schlüssel 10 mm
- Quergriff-Schlüssel 12 mm
- 45er Quergriff-Torxschlüssel
- Federzieher

TEILELISTE

Folgende Teile sollten sich im Karton befinden:

- Einbauanleitung
- ggf. Homologations-Zertifikat/Konformitätsdokumente
- Garantieschein
- Montagematerial
- Schalldämpfer und Rohre

Eine detaillierte Teileliste finden Sie auf der Website von Akrapovič (bitte verwenden Sie den QR-Code auf der Vorderseite oder suchen Sie nach „Schematische Übersicht“ auf der jeweiligen Produktseite unter www.akrapovic.com).

AUSBAU DER ORIGINAL-AUSPUFFANLAGE:

Der Vorgang des Ausbaus der Original-Auspuffanlage kann je nach der bestehenden Auspuffanlage variieren. Bitte halten Sie sich für den Ausbau der Original-Auspuffanlage an die Anweisungen des Herstellers dieser Anlage.

Sollten Sie sich aus irgendeinem Grund anders entscheiden, nehmen Sie bitte zur Kenntnis, dass jede hier gegebene Information in dieser Hinsicht als allgemeine Information zu betrachten ist, die Ihnen die Arbeit erleichtern soll. Akrapovič übernimmt keine Haftung oder Verantwortung in Bezug auf den Ausbau Ihrer bestehenden Auspuffanlage und keine Garantie für diese Auspuffanlage oder das Fahrzeug oder deren weitere Nutzungseignung.

Falls Ihre Akrapovič-Auspuffanlage auf bestimmten Straßen oder unter bestimmten Bedingungen nicht genutzt werden darf, bewahren Sie die Original- oder sonstige Auspuffanlage bitte auf, um sie unter solchen Umständen gesetzeskonform nutzen zu können.

AUSBAU DER ORIGINAL-AUSPUFFANLAGE:

1. Stellen Sie das Motorrad auf einen Zentralständer. Achten Sie darauf, dass die Fläche fest und eben ist.
2. Lösen Sie die markierten Schrauben und entfernen Sie die rechte Seitenplatte (**F 01**).
- ! **WICHTIG: Achten Sie darauf, dass während dieses Vorgangs keine Teile des Motorrads beschädigt werden!**
3. Lockern Sie die markierte Klemme und lösen Sie die Schraube der Halterung des Verbindungsrohrs (**F 02**).
- ! **WICHTIG: Achten Sie darauf, dass während dieses Vorgangs keine Teile des Motorrads beschädigt werden!**
4. Lösen Sie die Schraube der Schalldämpfer-Halterung und entfernen Sie vorsichtig den Schalldämpfer vom Motorrad (**F 03**).
- ! **WICHTIG: Stützen Sie den Schalldämpfer während dieses Vorgangs ab!**
- ! **VORSICHT: Achten Sie darauf, dass Sie sich während dieses Vorgangs nicht verletzen oder ein Teil des Motorrads beschädigen!**
5. Lösen Sie die beiden markierten Muttern und entfernen Sie das vorhandene Sammelrohr vorsichtig vom Motorrad (**F 04**).
- ! **WICHTIG: Achten Sie darauf, dass während dieses Vorgangs keine Teile des Motorrads beschädigt werden!**

EINBAU DER AKRAPOVIČ-AUSPUFFANLAGE:

1. Bauen Sie wie gezeigt die Muffe mit dem Flansch und den Federn zusammen (F 05).
2. Bringen Sie die zusammengebaute Muffe, Flansch und Federn am Motorrad an und ziehen Sie die zwei markierten Original-Muttern von Hand fest (F 06).

! WICHTIG: Ziehen Sie die Muttern noch nicht vollständig fest!

✂ EINBAUTIPP: Verwenden Sie eine neue Originaldichtung für den Auspuffstutzen.

3. Bringen Sie das Kohlefaser-Hitzeschutzblech mithilfe von Schrauben und hitzebeständigen Unterlegscheiben von Akrapovič am Sammelrohr an (F 07, 08).

✂ EINBAUTIPP: Schrauben sie die hitzebeständigen Unterlegscheiben auf die Schrauben; versuchen Sie nicht, sie daraufzuschieben!

! WICHTIG: Achten Sie darauf, dass Sie die größeren hitzebeständigen Unterlegscheiben zwischen dem Sammelrohr und dem Kohlefaser-Hitzeschutzblech und die kleineren Unterlegscheiben zwischen den Schraubenköpfen und dem Hitzeschutzblech anbringen!

4. Führen Sie das Sammelrohr in die Muffe ein, bringen Sie die Federn an und ziehen Sie die Muttern bis zum angegebenen Drehmoment fest (F 09).

! WICHTIG: Bevor Sie die Muttern festziehen, achten Sie darauf, dass die Federn das Sammelrohr vollständig in die Muffe ziehen – verwenden Sie, falls erforderlich, einen Gummihammer, um die Verbindung zurechtzuklopfen!

5. Bringen Sie die Klemme aus dem Akrapovič-Einbausatz wie gezeigt am Einlassrohr des Schalldämpfers an (F 10).
6. Setzen Sie die Aluminiumhülsen wie gezeigt in die Gummihalterung des Schalldämpfers ein (F 11, 12).
7. Schieben Sie den Schalldämpfer vorsichtig auf die Auslassseite des Sammelrohrs. Ziehen Sie die Klemme, die Schalldämpfer-Halterung (mit einer vorhandenen Schraube und einer Unterlegscheibe aus dem Akrapovič-Einbausatz), die Schraube der Verbindungsrohr-Halterung (vorhandene Schraube) von Hand fest und befestigen Sie wie gezeigt die längere Feder aus dem Akrapovič-Einbausatz (F 13).

! WICHTIG: Ziehen Sie die Schrauben noch nicht vollständig fest!

! WICHTIG: Achten Sie darauf, dass während dieses Vorgangs keine Teile des Motorrads beschädigt werden!

8. Richten Sie den Schalldämpfer im Verhältnis zum Motorrad aus und ziehen Sie die Schraube der Halterung des Schalldämpfers, die Schraube der Halterung des Verbindungsrohrs und die Klemme bis zum angegebenen Drehmoment fest (F 14, 15).

9. Bringen Sie die rechte Seitenplatte wieder an und ziehen Sie die markierten Schrauben bis zum angegebenen Drehmoment fest (F 16).

! WICHTIG: Achten Sie darauf, dass während dieses Vorgangs keine Teile des Motorrads beschädigt werden!

ENDMONTAGE UND WARTUNG:

Entfernen Sie nach dem abgeschlossenen Einbau Fettflecken von allen Oberflächen der Auspuffanlage. Die Reinigung verhindert ein Einbrennen der Flecken in die Oberfläche. Verwenden Sie keine aggressiven chemischen Reinigungsmittel, da diese die Oberfläche oder den Aufkleber beschädigen können.

1. Schalldämpfer – Titan-Außenhülle: Verwenden Sie ein weiches Tuch, auf das Sie ein Mehrzweck-Schmiermittel sprühen (WD 40 oder Ähnliches)*.
 2. Schalldämpfer – Kohlefaser-Außenhülle: Verwenden Sie ein weiches, trockenes Tuch, auf das Sie Allzweck-Schaumreiniger sprühen, wischen Sie sie danach mit einem weichen, trockenen Tuch ab.
 3. Schalldämpfer – Auslass-Abdeckung aus Kohlefaser: Verwenden Sie ein weiches, trockenes Tuch, auf das Sie Allzweck-Schaumreiniger sprühen, wischen Sie sie danach mit einem weichen, trockenen Tuch ab.
 4. Lackierte Schalldämpfer und Teile – Verwenden Sie ein weiches Tuch, auf das Sie Allzweck-Schaumreiniger sprühen, wischen Sie sie danach mit einem weichen, trockenen Tuch ab.
 5. Verchromte Schalldämpfer und Teile: Verwenden Sie ein weiches Tuch, auf das Sie Allzweck-Schaumreiniger sprühen, wischen Sie sie danach mit einem weichen, trockenen Tuch ab.
 6. Edelstahlrohre: Verwenden Sie ein weiches Tuch, auf das Sie Kontaktreiniger sprühen, wischen Sie sie danach mit einem weichen, trockenen Tuch ab.
 7. Titanrohre: Verwenden Sie ein weiches Tuch mit einem Mehrzweck-Schmierspray (WD 40 oder Ähnliches)*.
- WD-40® ist ein Markenzeichen der Gesellschaft WD-40.

Kontrollieren Sie regelmäßig, ob alle Schrauben und Federn ausreichend festgezogen sind.



WICHTIG: Stellen Sie sicher, dass alle Schrauben ausreichend festgezogen sind. Falls die Auspuffanlage mit der Verkleidung oder anderen Teilen in Berührung kommt, wiederholen Sie die Anpassung der Auspuffanlage oder wenden Sie sich an Ihren autorisierten Händler!



VORSICHT: Ziehen Sie die Schrauben des Akrapovič-Hitzeschutzes aus Kohlefaser nach, wenn der Motor 30 Minuten lang gelaufen ist!



EINBAUTIPP: ES IST NORMAL, DASS WÄHREND DER ERSTEN 100 KM NACH DEM AUSTAUSCH AUS DEM SCHALLDÄMPFER WEISSER RAUCH AUSTRITT.



EINBAUTIPP: EINE FARBVERÄNDERUNG DER AUSPUFFANLAGE IST AUFGRUND DER HOHEN TEMPERATUREN NORMAL.



VORSICHT: BEI DER ERSTEN INBETRIEBNAHME NICHT HINTER DEM SCHALLDÄMPFER STEHEN.



WICHTIG: VERWENDEN SIE ZUR REINIGUNG DER AKRAPOVIČ-AUSPUFFANLAGE KEINE FELGENREINIGER ODER ANDERE SÄUREHALTIGE REINIGUNGSMITTEL.

FEHLERBEHEBUNG:

Problem	Mögliche Ursache	Lösung
Abgase treten aus den Verbindungen von Schalldämpfer und Rohrklemmen aus	gelockerte Klemme	ziehen Sie die Klemme mit dem vorgegebenen Drehmoment fest
	die Verbindung ist nicht vollständig verbunden	klopfen Sie die Verbindung an die richtige Stelle und ziehen Sie die Klemme mit dem vorgegebenen Drehmoment fest



Istruzioni per il montaggio

Impianti di scarico Akrapovič
Racing e Evolution
per il modello
Kawasaki KX250F

**SOLO PER COMPETIZIONI SU CIRCUITI CHIUSI.
NON PER UTILIZZO STRADALE.**

Congratulazioni per l'acquisto di questo impianto di scarico Akrapovič. È un prodotto Akrapovič d.d., Malo Hudo 8a, 1295, Ivančna Gorica, Slovenia ("Akrapovič").

Si prega di leggere per intero questo manuale di montaggio prima di montare e utilizzare l'impianto di scarico Akrapovič.

Gli impianti di scarico Akrapovič devono essere installati solo da professionisti esperti nel montaggio e nel funzionamento di impianti di scarico per motocicli. È necessario seguire le istruzioni contenute in questo manuale per assicurare un'installazione corretta e un utilizzo sicuro dell'impianto di scarico Akrapovič. Akrapovič e/o i suoi partner non possono essere ritenuti responsabili per eventuali danni o lesioni personali (compresi i danni diretti, indiretti o conseguenti) derivanti da un montaggio improprio dell'impianto di scarico Akrapovič o da un suo utilizzo e manutenzione contrari alle istruzioni e alle avvertenze qui contenute.

Se hai delle domande relative al montaggio e/o all'utilizzo corretto dell'impianto di scarico Akrapovič o di questo manuale contatta il tuo partner locale autorizzato di Akrapovič.

Per ulteriori informazioni sugli impianti di scarico Akrapovič visita il sito ufficiale di Akrapovič:
<http://www.akrapovic.com>

INFORMAZIONI GENERALI

La tua sicurezza è la nostra priorità. Guida la tua moto responsabilmente, con prudenza e rispettando sempre le norme locali sul traffico.

Tutte le dichiarazioni rese sulla conformità dell'impianto di scarico riguardano l'impianto di scarico così come viene fornito. Le modifiche all'impianto di scarico Akrapovič o il montaggio, l'utilizzo o la manutenzione impropri dello stesso, effettuati non seguendo questo Manuale di montaggio, possono provocare gravi danni all'impianto di scarico e/o al motore e anche lesioni personali, e possono compromettere la conformità dell'impianto di scarico con i requisiti di legge, come quelli riguardanti le emissioni di gas di scarico e/o acustiche (ad esempio, la moto potrebbe non essere più idonea alla circolazione su strade pubbliche), come anche la copertura in garanzia.

L'impianto di scarico può essere utilizzato solo conformemente con le leggi e i regolamenti in vigore, inclusi, ove applicabili, quelli statali e federali.

I danni causati da montaggio, utilizzo e manutenzione impropri dell'impianto di scarico Akrapovič non sono coperti dalla garanzia Akrapovič. Per le condizioni della nostra garanzia si prega di consultare la garanzia allegata.

Le specifiche tecniche degli impianti di scarico Akrapovič e dei prodotti complementari sono soggette a modifica senza preavviso.

AVVISO RELATIVO AL COPYRIGHT E AGLI ALTRI DIRITTI

Il marchio Akrapovič, inclusi il logo e gli emblemi aziendali, sono soggetti ai diritti d'autore e di marchio di Akrapovič, dei suoi licenziatari o di terzi autorizzati ad utilizzarli.

Qualsiasi riproduzione, manipolazione tecnica o altra di altro genere, traduzione o un altro uso dei diritti d'autore e/o di marchio qui contenuti è vietata senza il preventivo consenso scritto di Akrapovič. Lo stesso si applica particolarmente all'intero contenuto di questo manuale e/o di qualsiasi delle sue parti, inclusi, in modo non limitativo, le specifiche tecniche, le istruzioni, i grafici, le fotografie, ecc. contenuti nel presente manuale.

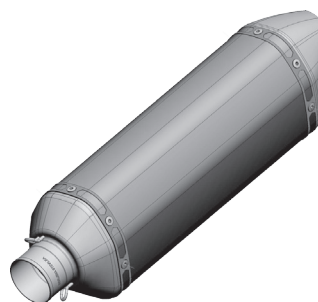
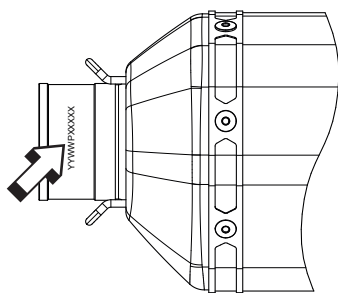
La forma dell'impianto di scarico è protetta dal disegno comunitario registrato num. RCD 002747246-0001.

Akrapovič prende in seria considerazione tutti i casi di violazione del copyright e degli altri diritti. Se per qualsiasi motivo ritieni che il tuo impianto di scarico non sia un prodotto originale Akrapovič ti preghiamo di contattare i nostri partner locali o direttamente Akrapovič all'indirizzo info@akrapovic.com.

AVVISO SULLA SICUREZZA E CONFORMITÀ: SI PREGA DI LEGGERE ATTENTAMENTE

PRIMA DI RIMUOVERE L'IMPIANTO DI SCARICO DI SERIE E DI INIZIARE IL MONTAGGIO DEL TUO NUOVO IMPIANTO AKRAPOVIČ TI PREGHIAMO DI VERIFICARE TUTTE LE VOCI INDICATE DI SEGUITO:

- QUESTO MANUALE È SPECIFICO PER IL TIPO DI MOTO INDICATO IN COPERTINA, PER IL QUALE È STATO PROGETTATO. LE PROCEDURE DI MONTAGGIO POSSONO VARIARE IN BASE AL TIPO DI MOTO. SI PREGA DI VERIFICARE CHE **L'IMPIANTO DI SCARICO AKRAPOVIČ E QUESTO MANUALE DI MONTAGGIO CORRISPONDANO AL TUO TIPO DI MOTO.**
- DURANTE L'UTILIZZO E SUCCESSIVAMENTE L'IMPIANTO DI SCARICO PUÒ DIVENTARE ESTREMAMENTE CALDO. EVITARE DI TOCCARE L'IMPIANTO DI SCARICO FINCHÉ NON SI SIA COMPLETAMENTE RAFFREDDATO. **PRIMA DI INIZIARE IL MONTAGGIO ATTENDERE CHE IL MOTORE E LO SCARICO SI SIANO RAFFREDDATI.**
- ACCERTATI CHE LA MOTO SIA **FISSATA SALDAMENTE PER PREVENIRE IL RIBALTAMENTO E DANNI A TE STESSO E AD ALTRI O ALLA MOTO.**
- TI PREGHIAMO DI CONTROLLARE I COMPONENTI CHE HAI RICEVUTO CON L'ELENCO DISPONIBILE SUL NOSTRO SITO WEB (SI PREGA DI UTILIZZARE IL CODICE QR RIPORTATO IN COPERTINA O DI CERCARE LA "VISUALIZZAZIONE SCHEMATICA" NELLA RISPETTIVA PAGINA DEL PRODOTTO SU WWW.AKRAPOVIC.COM). ACCERTATI DI AVERE **TUTTI I COMPONENTI NECESSARI PER IL MONTAGGIO** DEL TUO NUOVO IMPIANTO DI SCARICO AKRAPOVIČ. SE DOVESSE MANCARE UNO QUALSIASI DEI COMPONENTI SI PREGA DI NON PROCEDERE CON LO SMONTAGGIO DELL'IMPIANTO DI SCARICO DI SERIE/MONTAGGIO DELL'IMPIANTO DI SCARICO AKRAPOVIČ E DI CONTATTARE IL RIVENDITORE DOVE È STATO ACQUISTATO L'IMPIANTO DI SCARICO AKRAPOVIČ.
- **CONTROLLARE SEMPRE L'ALTEZZA DA TERRA DELLA TUA MOTO.** PER GLI UTENTI AVANZATI, DOVE SIA POSSIBILE, CONSIGLIAMO DI CONTROLLARE LE IMPOSTAZIONI DELLA MOLLA DI PRECARICO DELLA MOTO PER MIGLIORARE L'ALTEZZA DA TERRA.
- IL SILENZIATORE DI OGNI IMPIANTO DI SCARICO HA IL SUO NUMERO DI SERIE UNICO CHE IDENTIFICA L'AUTENTICITÀ DEL PRODOTTO. IL NUMERO DI SERIE SI TROVA ALL'INTERNO DEL COLLETTORE DI ENTRATA DEL SILENZIATORE. SI PREGA DI CONSULTARE LA FIGURA DI SEGUITO. TI PREGHIAMO DI VERIFICARE CHE IL TUO IMPIANTO DI SCARICO SIA UN PRODOTTO ORIGINALE AKRAPOVIČ. IN CASO DI DUBBI SI PREGA SI CONTATTARE IL RIVENDITORE DOVE È STATO ACQUISTATO L'IMPIANTO DI SCARICO O I PARTNER DI AKRAPOVIČ. QUESTO MANUALE, QUALSIASI CERTIFICATO E LA GARANZIA DI AKRAPOVIČ SI RIFERISCONO SOLO AL PRODOTTO ORIGINALE.



POSIZIONE DEL NUMERO DI SERIE

AVVISO SUI LIVELLI ACUSTICI E DI EMISSIONI

Avviso generale

I prodotti Akrapovič sono distribuiti a livello mondiale e né Akrapovič d.d. né alcuna delle sue controllate rilasciano alcuna dichiarazione di conformità degli impianti di scarico con le leggi di qualsiasi giurisdizione in materia di emissioni di gas di scarico e/o acustiche e in materia di etichettatura. Gli acquirenti sono completamente responsabili di informarsi sulle leggi vigenti nel luogo dove intendono usare i prodotti e di rispettarle.

Sebbene determinare la conformità alle leggi di un paese specifico dei prodotti di Akrapovič sia responsabilità dell'utente nella sezione del nostro sito web dedicata ai prodotti si trovano alcune indicazioni di massima sulla conformità del tuo impianto di scarico Akrapovič a diversi requisiti di legge (si prega di utilizzare il codice QR riportato in copertina o di cercare la rispettiva pagina del prodotto su www.akrapovic.com). Per le omologazioni EC ed ECE si prega di consultare il certificato allegato al prodotto.

AVVISO PER GLI STATI UNITI

Alcuni stati degli Stati Uniti e il governo federale degli Stati Uniti hanno delle leggi che regolano l'utilizzo di componenti e impianti di scarico commerciali, soprattutto perché questi componenti o impianti modificano, rimuovono o sostituiscono il catalizzatore di serie. Ti preghiamo di consultare le leggi adeguate in materia nella tua zona prima di montare un componente o un impianto commerciale sul tuo veicolo per garantire la conformità con tutte le leggi vigenti. Né Akrapovič d.d. né alcuna delle sue affiliate o rivenditori di componenti o impianti rilasciano alcuna dichiarazione di conformità dei loro componenti o impianti con le suddette leggi.

AVVISO PER LA CALIFORNIA

Le leggi della California proibiscono l'utilizzo di qualsiasi componente o impianto di scarico aftermarket che modifichi, rimuova o sostituisca il catalizzatore di serie, a meno che il CARB non abbia emesso un'ordinanza esecutiva per tale componente o impianto o a meno che il componente o l'impianto ne sia esentato perché utilizzato solo su veicoli da corsa su circuiti chiusi. Né Akrapovič d.d. né alcuna delle sue affiliate rilascia alcuna dichiarazione che alcuno dei suoi componenti o impianti abbia ricevuto tale ordinanza esecutiva o che alcuno dei suoi componenti o impianti sia conforme all'esenzione per i veicoli da corsa. Gli acquirenti sono completamente responsabili riguardo all'informarsi sulle leggi vigenti in California e di rispettarle.

NOTA GENERALE

Le fotografie e le altre illustrazioni di questo manuale sono simboliche e hanno lo scopo di rappresentare i singoli passi necessari per un montaggio e un utilizzo corretti, nonché di fornire una panoramica generale. I componenti effettivi dell'impianto di scarico Akrapovič possono non corrispondere esattamente alle fotografie e alle altre illustrazioni.

SIMBOLI

I seguenti simboli sono utilizzati in queste istruzioni di montaggio:



UTENSILI E DISPOSITIVI DI PROTEZIONE RICHIESTI



COPPIA DI SERRAGGIO



LUBRIFICAZIONE



SERRARE A MANO



SUGGERIMENTOPERL'INSTALLAZIONE



ATTENZIONE O IMPORTANTE

UTILIZZO DEL SIGILLANTE PER BULLONI



Applicare 3 o 4 piccole gocce di sigillante per bulloni sulle filettature pulite e sgrassate prima di serrare i bulloni.

AVVERTENZA! Evitare il contatto con la pelle, gli occhi o le mucose. Non inalare i vapori. Tenere fuori dalla portata dei bambini.



UTILIZZO DELLA PASTA ANTIGRIPPANTE SENZA PIOMBO A BASE DI RAME (tubetto nero)

Fornisce protezione di lunga durata e senza problemi contro il grippaggio, la corrosione e la ruggine di bulloni, attacchi filettati, dadi, giunti, ecc. Protegge inoltre da vibrazioni, usura e impatti.

AVVERTENZA! Evitare il contatto con gli occhi. Tenere fuori dalla portata dei bambini.



UTILIZZO DEL GRASSO ANTIGRIPPANTE (tubetto bianco)

Previene il grippaggio, la corrosione e l'usura eccessiva tra i componenti in titanio del tuo impianto di scarico.

AVVERTENZA! Evitare il contatto con gli occhi. Tenere fuori dalla portata dei bambini.

Utensili e attrezzi



- Chiave a T da 8 mm
- Chiave a T da 10 mm
- Chiave a T da 12 mm
- Chiave TORX a T da 45
- Tiramolle

ELENCO DEI COMPONENTI

Nella scatola devono trovarsi i seguenti componenti:

- Manuale di montaggio
- Certificato di omologazione/ documentazione di conformità, se applicabile
- Garanzia
- Materiale di montaggio
- Silenziatore e tubi

L'elenco dettagliato dei componenti è disponibile sul sito web di Akrapovič (si prega di utilizzare il codice QR riportato in copertina o di cercare la "Visualizzazione schematica" nella rispettiva pagina del prodotto su www.akrapovic.com).

RIMOZIONE DELL'IMPIANTO DI SCARICO DI SERIE:

La procedura di smontaggio dell'impianto di scarico di serie può variare in base all'impianto esistente. Si prega di seguire le istruzioni del produttore dell'impianto di scarico di serie per il suo smontaggio.

Se per qualsiasi motivo si decide di fare altrimenti, si prega di notare che qualsiasi informazione qui fornita al riguardo deve considerarsi di carattere generale e a titolo esclusivamente informativo. Akrapovič non si assume alcuna responsabilità per quanto riguarda lo smontaggio dell'impianto di scarico di serie, la copertura in garanzia del suddetto impianto o veicolo o l'idoneità per un loro utilizzo futuro.

Se il tuo impianto di scarico Akrapovič non può essere utilizzato in alcune strade o in determinate condizioni, ti preghiamo di conservare l'impianto di serie o un altro impianto che sia possibile utilizzare legalmente in tali circostanze.

RIMOZIONE DELL'IMPIANTO DI SCARICO DI SERIE:

1. Mettere la moto su un cavalletto centrale da corsa. Accertarsi che la superficie sia solida e in piano.
2. Svitare i bulloni contrassegnati e rimuovere il pannello laterale destro **(F 01)**.
! IMPORTANTE: durante questa procedura accertarsi di non danneggiare nessuna parte della moto!
3. Allentare la fascia contrassegnata e svitare il bullone della staffa del tubo di collegamento **(F 02)**.
! IMPORTANTE: durante questa procedura accertarsi di non danneggiare nessuna parte della moto!
4. Svitare il bullone della staffa del silenziatore e, con cautela, rimuovere il silenziatore **(F 03)**.
! IMPORTANTE: durante questa procedura sostenere il silenziatore!
! ATTENZIONE: durante questa procedura fare attenzione a non ferirsi o a non danneggiare nessun componente della moto!
5. Svitare i due dadi contrassegnati e con cautela rimuovere il tubo di scarico di serie **(F 04)**.
! IMPORTANTE: durante questa procedura accertarsi di non danneggiare nessuna parte della moto!

MONTAGGIO DELL'IMPIANTO DI SCARICO AKRAPOVIČ:

1. Montare il manicotto insieme alle flangia e alle molle, come mostrato (F 05).
2. Montare il manicotto, la flangia e le molle già montati sulla moto e serrare a mano i due dadi di serie contrassegnati (F 06).

! IMPORTANTE: aspettare prima di stringere del tutto i dadi!

✂ SUGGERIMENTO PER L'INSTALLAZIONE: utilizzare una nuova guarnizione di serie per la luce di scarico.

3. Montare lo scudo termico in fibra di carbonio sul tubo di scarico, utilizzando i bulloni e le rondelle termoresistenti Akrapovič (F 07, 08).

✂ SUGGERIMENTO PER L'INSTALLAZIONE: avvitare le rondelle termoresistenti sui bulloni, non cercare di infilarle con la forza!

! IMPORTANTE: accertarsi di inserire le rondelle termoresistenti più grandi tra il tubo di scarico e lo scudo termico in fibra di carbonio e le rondelle più piccole tra le teste dei bulloni e lo scudo termico!

4. Inserire il tubo di scarico nel manicotto, agganciare le molle e serrare i dadi alla coppia specificata (F 09).

! IMPORTANTE: prima di serrare i dadi accertarsi che le molle spingano del tutto il tubo di scarico nel manicotto - se necessario utilizzare un martello di gomma per spingere i componenti in posizione!

5. Montare la fascia del kit di montaggio di Akrapovič sul collettore di ingresso del silenziatore, come mostrato (F 10).

6. Montare i distanziatori in alluminio alla staffa in gomma del silenziatore, come mostrato (F 11, 12).

7. Con cautela infilare il silenziatore sul lato di scarico del tubo di scarico. Serrare a mano la fascia, la staffa del silenziatore (utilizzando il bullone di serie e la rondella del kit di montaggio di Akrapovič), il bullone della staffa del tubo di collegamento (utilizzando il bullone di serie) e agganciare la molla più lunga del kit di montaggio di Akrapovič, come mostrato (F 13).

! IMPORTANTE: aspettare prima di stringere del tutto i bulloni!

! IMPORTANTE: durante questa procedura accertarsi di non danneggiare nessuna parte della moto!

8. Allineare il silenziatore in base alla moto e serrare il bullone della staffa del silenziatore, il bullone della staffa del tubo di collegamento e la fascia alla coppia specificata (F 14, 15).

9. Fissare di nuovo il pannello laterale destro e serrare i bulloni contrassegnati alle coppie specificate (F 16).

! IMPORTANTE: durante questa procedura accertarsi di non danneggiare nessuna parte della moto!

INSTALLAZIONE FINALE E MANUTENZIONE:

A montaggio terminato eliminare le macchie di grasso da tutte le superfici dell'impianto di scarico. Questo evita che le macchie brucino sulla superficie. Non utilizzare detergenti chimici aggressivi che potrebbero danneggiare la superficie o l'adesivo.

1. Silenziatore – rivestimento in titanio: spruzzare su un panno morbido lubrificante multiuso spray (WD-40 o equivalente)*.
2. Silenziatore – rivestimento in fibra di carbonio: spruzzare su un panno morbido asciutto detergente multiuso a schiuma, quindi asciugare con un panno morbido asciutto.
3. Silenziatore – fondello in fibra di carbonio: spruzzare su un panno morbido asciutto detergente multiuso a schiuma, quindi asciugare con un panno morbido asciutto.
4. Silenzianti e componenti verniciati: spruzzare su un panno morbido asciutto detergente multiuso a schiuma, quindi asciugare con un panno morbido asciutto.
5. Silenzianti e componenti cromate: spruzzare su un panno morbido asciutto detergente multiuso a schiuma, quindi asciugare con un panno morbido asciutto.
6. Tubi in acciaio: spruzzare spray per contatti su un panno morbido, quindi asciugare con un panno morbido asciutto.
7. Tubi in titanio: spruzzare lubrificante multiuso spray (WD-40 o equivalente)* su un panno morbido.

WD-40® è un marchio registrato della WD-40.

Accertarsi periodicamente che i bulloni e le molle siano sufficientemente serrati.



IMPORTANTE: accertarsi che tutti i bulloni siano sufficientemente serrati. Se l'impianto di scarico dovesse toccare la scocca o altre parti, ripetere la regolazione dell'impianto di scarico o contattare il rivenditore autorizzato!



ATTENZIONE: dopo che il motore è stato acceso per 30 minuti, serrare di nuovo i bulloni dello scudo termico in fibra di carbonio Akrapovič!



SUGGERIMENTO PER L'INSTALLAZIONE: DOPO LA SOSTITUZIONE È NORMALE CHE DAL SILENZIATORE ESCA FUMO BIANCO PER I PRIMI 100 KM.



SUGGERIMENTO PER L'INSTALLAZIONE: A CAUSA DELLE ALTE TEMPERATURE È NORMALE CHE IL COLORE DELL'IMPIANTO DI SCARICO SUBISCA DELLE VARIAZIONI.



ATTENZIONE: ALLA PRIMA ACCENSIONE NON STARE DIETRO AL SILENZIATORE.



IMPORTANTE: NON UTILIZZARE DETERGENTI PER GOMME AUTO O ALTRI DETERGENTI CHE CONTENGONO ADDITIVI ACIDI PER PULIRE L'IMPIANTO DI SCARICO AKRAPOVIČ.

RISOLUZIONE PROBLEMI:

Problema	Possibile causa	Soluzione
I gas di scarico escono dalle fasce di collegamento tra silenziatore e tubi	fascia allentata	serrare la fascia alla coppia specificata
	i componenti non sono sufficientemente connessi	spingi i componenti l'uno verso l'altro e serra la fascia alla coppia specificata



Instructions d'installation

Système d'échappement d'Akrapovič
Racing et Evolution
pour la
Kawasaki KX250F

**POUR UN USAGE UNIQUEMENT EN COMPÉTITION
DE COURSE PURE.
NON DESTINÉ À UN USAGE SUR LA ROUTE.**

Nous vous félicitons pour l'achat du système d'échappement de la compagnie Akrapovič. Le système d'échappement d'Akrapovič est un produit fabriqué par la compagnie Akrapovič d.d., Malo Hudo 8a, 1295 Ivančna Gorica, Slovénie (« Akrapovič »).

Veillez lire entièrement et attentivement ce manuel d'installation avant d'installer et d'utiliser le système d'échappement d'Akrapovič.

Le système d'échappement d'Akrapovič ne doit être installé que par des personnes spécialisées en matière d'installation et de fonctionnement des systèmes d'échappement des motos. Les instructions fournies dans ce manuel doivent être respectées pour garantir une bonne installation et une utilisation en toute sécurité du système d'échappement d'Akrapovič. Akrapovič et / ou ses partenaires ne sauront être tenus pour responsables de tout dommage ou blessure (y compris dommages directs, indirects ou consécutifs) découlant d'une installation inappropriée du système d'échappement d'Akrapovič, d'une utilisation et d'un entretien contraires aux instructions et aux avertissements ci-inclus.

En cas de questions concernant l'installation et / ou la bonne utilisation du système d'échappement d'Akrapovič ou de ce manuel, veuillez contacter votre partenaire local Akrapovič.

Pour plus d'informations sur les systèmes d'échappement d'Akrapovič, veuillez consulter le site Web officiel de la compagnie Akrapovič sur :
<http://www.akrapovic.com>

INFORMATIONS GÉNÉRALES

Votre sécurité est notre priorité. Veuillez conduire votre moto de façon responsable et prudente, et toujours respecter les règles de circulation locales.

Toutes les déclarations concernant la conformité du système d'échappement sont faites par rapport au système d'échappement « en l'état ». Toute modification du système d'échappement d'Akrapovič ou son installation, son utilisation ou son entretien inapproprié ne respectant pas ce manuel d'installation, peuvent entraîner de graves dommages au système d'échappement et / ou au moteur, ainsi que des blessures, et peuvent affecter la conformité du système d'échappement aux exigences légales, telles que les émissions atmosphériques / acoustiques du système d'échappement (par exemple, la moto ne peut plus être utilisée sur un réseau routier public), ainsi que la couverture de la garantie.

Le système d'échappement ne peut être utilisé que conformément à la législation et à la réglementation pertinentes, notamment nationales et fédérales, le cas échéant.

Les dommages causés par une installation, une utilisation et un entretien inappropriés du système d'échappement d'Akrapovič ne sont pas couverts par la garantie d'Akrapovič. Veuillez vous reporter à la garantie ci-jointe pour voir nos conditions de garantie.

Les spécifications techniques des systèmes d'échappement Akrapovič et des produits associés peuvent être modifiées sans préavis.

COPYRIGHT ET AVIS RELATIF AUX AUTRES DROITS

La marque Akrapovič, y compris les logos et les emblèmes corporatifs, sont soumis au copyright, ainsi qu'aux droits de marque d'Akrapovič, ses concédants de licence ou des tiers autorisant Akrapovič à les utiliser.

Toute reproduction, manipulation technique ou autre, traduction, ou toute autre utilisation du copyright et / ou des droits de marque ci-inclus sont interdites sans l'autorisation écrite préalable explicite d'Akrapovič. Cela vaut également pour l'ensemble du contenu de ce manuel et / ou quelque partie que ce soit, notamment, mais sans s'y limiter, les spécifications techniques, les instructions, les graphiques, les photos, etc. inclus dans ce manuel.

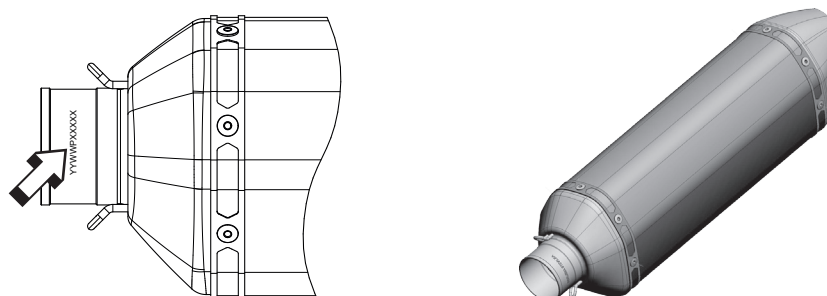
La forme du système d'échappement est protégée sous le N° communautaire d'immatriculation de la conception n° RCD 002747246-0001.

Akrapovič prend très au sérieux tous les cas d'infraction du copyright et des autres droits. Si vous avez des raisons à croire que votre système d'échappement n'est pas un produit d'origine Akrapovič, veuillez contactez nos partenaires locaux ou Akrapovič en envoyant un e-mail à info@akrapovic.com.

AVERTISSEMENT DE SÉCURITÉ ET DE CONFORMITÉ, VEUILLEZ LIRE ATTENTIVEMENT

AVANT D'ENLEVER LE SYSTÈME D'ÉCHAPPEMENT DE SÉRIE ET DE COMMENCER L'INSTALLATION DE VOTRE NOUVEAU SYSTÈME D'ÉCHAPPEMENT D'AKRAPOVIČ, VEUILLEZ VOUS ASSURER QUE TOUS LES ÉLÉMENTS ÉNUMÉRÉS ONT ÉTÉ VÉRIFIÉS :

- CE MANUEL CONCERNE SPÉCIFIQUEMENT LA MOTO INDIQUÉE À LA PREMIÈRE PAGE, POUR LAQUELLE IL A ÉTÉ CONÇU. LES PROCÉDURES D'INSTALLATION VARIENT EN FONCTION DU TYPE DE MOTO. VEUILLEZ VÉRIFIER QUE LE **SYSTÈME D'ÉCHAPPEMENT D'AKRAPOVIČ ET CE MANUEL D'INSTALLATION CORRESPONDENT À VOTRE TYPE DE MOTO.**
- LE SYSTÈME D'ÉCHAPPEMENT PEUT ÊTRE EXTRÊMEMENT CHAUD PENDANT ET APRÈS SON UTILISATION. VEUILLEZ À NE PAS TOUCHER AU SYSTÈME D'ÉCHAPPEMENT JUSQU'À SON REFROIDISSEMENT COMPLET. **LAISSER LE SYSTÈME D'ÉCHAPPEMENT ET LE MOTEUR REFROIDIR AVANT DE COMMENCER L'INSTALLATION.**
- ASSUREZ-VOUS QUE LA MOTO EST **POSITIONNÉE DE FAÇON SÛRE POUR ÉVITER SON RENVERSEMENT**, LES BLESSURES OU L'ENDOMMAGEMENT.
- VEUILLEZ VÉRIFIER LES PIÈCES REÇUES PAR RAPPORT À LA LISTE DES PIÈCES DISPONIBLES SUR NOTRE SITE (VEUILLEZ UTILISER LE CODE QR FIGURANT SUR LA PREMIÈRE PAGE OU CHERCHER LA « VUE SCHÉMATIQUE » QUE VOUS TROUVEREZ SUR LA PAGE CORRESPONDANTE DU PRODUIT SUR WWW.AKRAPOVIC.COM). ASSUREZ-VOUS DE DISPOSER DE **TOUTES LES PIÈCES NÉCESSAIRES POUR L'INSTALLATION** DE VOTRE NOUVEAU SYSTÈME D'ÉCHAPPEMENT D'AKRAPOVIČ. EN CAS DE PIÈCES MANQUANTES, NE DÉINSTALLER PAS VOTRE SYSTÈME D'ÉCHAPPEMENT DE SÉRIE NI NE MONTEZ LE SYSTÈME D'ÉCHAPPEMENT D'AKRAPOVIČ ET CONTACTEZ LE DÉTAILLANT OÙ VOUS AVEZ ACHETÉ LE SYSTÈME D'ÉCHAPPEMENT D'AKRAPOVIČ.
- **SÉCURISEZ TOUJOURS LA GARDE AU SOL DE VOTRE MOTO.** POUR LES UTILISATEURS AVANCÉS, NOUS VOUS RECOMMANDONS DE VÉRIFIER LES PARAMÈTRES DE PRÉCHARGE DU RESSORT, AFIN D'OPTIMISER LA GARDE AU SOL DANS LA MESURE DU POSSIBLE.
- CHAQUE SILENCIEUX DU SYSTÈME D'ÉCHAPPEMENT POSSÈDE UN NUMÉRO DE SÉRIE UNIQUE QUI IDENTIFIE L'AUTHENTICITÉ DU PRODUIT. VOUS POUVEZ TROUVER CE NUMÉRO DE SÉRIE SUR LE TUYAU D'ENTRÉE DU SILENCIEUX. REPORTEZ-VOUS À LA FIGURE CI-DESSOUS. VEUILLEZ VÉRIFIER QUE VOTRE SYSTÈME D'ÉCHAPPEMENT EST UN PRODUIT D'ORIGINE D'AKRAPOVIČ. EN CAS DE DOUTE, VEUILLEZ CONTACTER LE REVENDEUR OÙ VOUS AVEZ ACHETÉ LE SYSTÈME D'ÉCHAPPEMENT OU LES PARTENAIRES D'AKRAPOVIČ. CE MANUEL, TOUS LES CERTIFICATS ET LA GARANTIE AKRAPOVIČ NE S'APPLIQUENT QU'AUX PRODUITS D'ORIGINE.



POSITION DU NUMÉRO DE SÉRIE

AVERTISSEMENTS CONCERNANT LES ÉMISSIONS ET LE BRUIT

Avertissement général

Puisque les produits d'Akrapovič d.d. sont distribués dans le monde entier, Akrapovič d.d. ou ses filiales ne peuvent pas assurer que le système d'échappement est conforme à la réglementation relative aux émissions atmosphériques et / ou acoustiques ou à la réglementation relative à l'étiquetage de quelle que juridiction que ce soit. Les acheteurs doivent s'informer eux-mêmes sur la réglementation applicable relative à l'utilisation des produits et respecter cette réglementation.

Bien que la conformité légale des produits d'Akrapovič dans un pays donné doit être déterminée par l'utilisateur, vous pouvez trouver quelques lignes directrices essentielles sur la conformité de votre système d'échappement Akrapovič avec plusieurs exigences légales sur la partie relative au produit de notre site Web (veuillez utiliser le code QR figurant sur la première page ou cherchez la page correspondante du produit sur www.akrapovic.com). Pour les homologations de type CE et CEE, veuillez vous reporter au certificat joint à votre produit.

AVERTISSEMENT CONCERNANT LES ÉTATS-UNIS

Divers États américains et le gouvernement fédéral des États-Unis ont des lois individuelles régulant l'utilisation des pièces et des systèmes d'échappement du marché de pièces de rechange, d'autant plus que ces pièces et ces systèmes modifient, retirent ou remplacent les catalyseurs de l'équipement d'origine. Veuillez consulter les lois correspondantes à votre zone avant d'installer une pièce ou un système du marché de pièces de rechange sur votre véhicule pour garantir sa conformité à toutes les lois applicables. Ni Akrapovic d.d., ni aucune de ses filiales ou vendeurs de pièces ou systèmes ne déclarent que leurs pièces ou systèmes sont conformes à ces lois.

AVERTISSEMENT CONCERNANT LA CALIFORNIE

Les lois de Californie interdisent l'utilisation de toute pièce ou de tout système d'échappement du marché de pièces de rechange modifiant, retirant ou remplaçant les catalyseurs de l'équipement d'origine, à moins que le California Air Resources Board ait délivré un ordre exécutif pour cette partie ou ce système ou à moins que la pièce ou le système soient exclus parce qu'ils ne sont utilisés que sur les véhicules de course dans les circuits fermés. Ni Akrapovic d.d., ni aucune de ses filiales ne déclarent que leurs pièces ou systèmes aient reçu un tel ordre exécutif, ou que leurs pièces ou systèmes sont conformes à l'exemption des véhicules de course. Les acheteurs sont entièrement responsables de s'informer sur les lois applicables en Californie et de respecter ces lois.

REMARQUE GÉNÉRALE

Les photos et les autres illustrations figurant dans ce manuel sont symboliques et visent à représenter les différentes étapes d'une bonne installation et utilisation, ainsi qu'à offrir un aperçu général. Les composants actuels du système d'échappement d'Akrapovič peuvent ne pas correspondre complètement aux photos et aux autres illustrations.

SYMBOLES

Les symboles suivants sont utilisés dans ces instructions d'installation :



OUTILS ET ÉQUIPEMENTS DE PROTECTION REQUIS



COUPLE DE SERRAGE



LUBRIFICATION



SERRAGE MANUEL



CONSEIL D'INSTALLATION



MISE EN GARDE OU POINT IMPORTANT

UTILISER UN PRODUIT D'ÉTANCHÉITÉ POUR BOULONS



Appliquer 3 à 4 petites gouttes de produit d'étanchéité pour boulons sur les filets nettoyés et dégraissés avant de serrer les boulons.

AVERTISSEMENT ! Éviter le contact avec la peau, les yeux ou les muqueuses. Ne pas inhaler les vapeurs. Maintenir hors de portée des enfants.

UTILISER UNE PÂTE DE CUIVRE ANTIGRIPPANTE SANS PLOMB (tube noir)



Elle offre une utilisation facile et une protection de longue durée contre le grippage, la corrosion et la rouille des boulons, des extrémités filetées, des écrous, des joints, etc. Elle protège également des vibrations, de l'usure et des impacts.

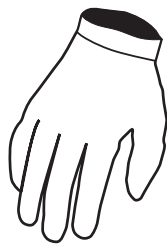
AVERTISSEMENT ! Éviter le contact avec les yeux. Maintenir hors de portée des enfants.

UTILISER UNE GRAISSE ANTIGRIPPANTE (tube blanc)



Ceci prévient le grippage, la corrosion et l'usure excessive entre les composants en titane de votre système d'échappement.

AVERTISSEMENT ! Éviter le contact avec les yeux. Maintenir hors de portée des enfants.



- Clé de 8 mm avec une poignée en T
- Clé de 10 mm avec une poignée en T
- Clé de 12 mm avec une poignée en T
- Clé Torx 45 avec une poignée en T
- Extracteur à ressort

LISTE DE PIÈCES

Les pièces suivantes doivent se trouver dans la boîte :

- Manuel d'installation
- Certificat d'homologation / documents de conformité, le cas échéant
- Garantie
- Matériel de montage
- Silencieux et tuyaux

Une liste détaillée des pièces peut être trouvée sur le site web d'Akrapovič (veuillez utiliser le code QR figurant sur la première page ou chercher la « vue schématique » sur la page correspondante du produit sur www.akrapovic.com).

ENLÈVEMENT DU SYSTÈME D'ÉCHAPPEMENT DE SÉRIE :

La procédure de désinstallation du système d'échappement d'origine peut varier en fonction du système d'échappement existant. Veuillez suivre les instructions du fabricant du système d'échappement d'origine pour le désinstaller.

Si pour une raison quelconque vous en décidez autrement, veuillez tenir compte que toute information ci-incluse fournie à cet égard doit être considérée comme information générale fournie uniquement pour votre confort. Akrapovič décline toute responsabilité quant à la désinstallation de votre système d'échappement existant, la couverture de garantie d'un tel système d'échappement ou véhicule, ou leur future aptitude à l'emploi.

En cas d'impossibilité d'utilisation de votre système d'échappement Akrapovič sur certaines routes ou dans certaines conditions, veuillez conserver le système de série ou un autre système d'échappement que vous puissiez utiliser légalement dans de telles circonstances.

RETRAIT DU SYSTÈME D'ÉCHAPPEMENT DE SÉRIE :

1. Placez la moto sur une béquille centrale. Assurez-vous que la surface est solide et plane.
2. Dévissez les boulons indiqués et retirez le panneau latéral droit (**F 01**).
! IMPORTANT : veillez à n'endommager aucune partie de la moto au cours de cette procédure !
3. Desserrez le collier indiqué et dévissez le boulon du support du tuyau de liaison (**F 02**).
! IMPORTANT : veillez à n'endommager aucune partie de la moto au cours de cette procédure !
4. Dévissez le boulon du support du silencieux et retirez avec précaution le silencieux de la moto (**F 03**).
! IMPORTANT : soutenez le silencieux au cours de cette procédure !
! ATTENTION : veillez à ne pas vous blesser ou à n'endommager aucune partie de la moto au cours de cette procédure !
5. Dévissez les deux écrous indiqués et retirez avec précaution le tuyau collecteur de série de la moto (**F 04**).
! IMPORTANT : veillez à n'endommager aucune partie de la moto au cours de cette procédure !

INSTALLATION DU SYSTÈME D'ÉCHAPPEMENT D'AKRAPOVIČ :

1. Installez conjointement le manchon avec la bride et les ressorts, tel qu'indiqué (F 05).
2. Installez le manchon assemblé, la bride et les ressorts sur la moto et serrez manuellement les deux écrous de série indiqués (F 06).

! IMPORTANT : ne serrez pas encore complètement les écrous !

✂ CONSEIL D'INSTALLATION : utilisez un nouveau joint d'étanchéité de série pour l'orifice d'échappement.

3. Montez la protection thermique en fibre de carbone sur le tube pour collecteurs, à l'aide des boulons et des rondelles résistantes à la chaleur d'Akrapovič (F 07, 08).

✂ CONSEIL D'INSTALLATION : vissez les rondelles résistantes à la chaleur sur les boulons ; n'essayez pas de les pousser !

! IMPORTANT : assurez-vous de placer les rondelles résistantes à la chaleur les plus grandes entre le tube pour collecteurs et la protection thermique en fibre de carbone, et les rondelles les plus petites entre les têtes des boulons et la protection thermique !

4. Insérez le tube pour collecteurs dans le manchon, fixez les ressorts et serrez les écrous au couple spécifié (F 09).

! IMPORTANT : avant de serrer les écrous, assurez-vous que les ressorts maintiennent entièrement les tubes pour collecteurs contre le manchon - utilisez un maillet en caoutchouc, si nécessaire, pour insérer le raccord à sa place !

5. Montez le collier du kit d'installation d'Akrapovič sur le tuyau d'entrée du silencieux, tel qu'indiqué (F 10).

6. Montez les douilles en aluminium du kit sur le support du silencieux en caoutchouc, tel qu'indiqué (F 11, 12).

7. Faites glisser avec précaution le silencieux du côté de la sortie du tuyau collecteur. Serrez manuellement le collier, le support du silencieux (à l'aide du boulon de série et de la rondelle du kit d'installation d'Akrapovič), le boulon du support du tuyau de liaison (à l'aide du boulon de série) et fixez le ressort le plus long du kit d'installation d'Akrapovič, tel qu'indiqué (F 13).

! IMPORTANT : ne serrez pas encore complètement les boulons !

! IMPORTANT : veillez à n'endommager aucune partie de la moto au cours de cette procédure !

8. Alignez le silencieux par rapport à la moto, et serrez le boulon du support du silencieux, le boulon du support du tuyau de liaison et le collier au couple spécifié (F 14, 15).

9. Refixez le panneau côté droit et serrez les boulons indiqués aux couples spécifiés (F 16).

! IMPORTANT : veillez à n'endommager aucune partie de la moto au cours de cette procédure !

INSTALLATION FINALE ET ENTRETIEN :

Nettoyez les taches de graisse de toutes les surfaces du système d'échappement, lorsque l'installation est terminée. En nettoyant les taches, vous éviterez qu'elles brûlent sur la surface. N'utilisez pas de nettoyeurs chimiques agressifs, car ils peuvent endommager la surface ou l'étiquette.

1. Silencieux – manchon extérieur en titane : utilisez un chiffon doux mouillé d'un lubrifiant en vaporisateur multi-usages (WD-40 ou équivalent)*.
2. Silencieux – manchon extérieur en fibre de carbone : utilisez un chiffon doux et sec, mouillé d'un nettoyant en mousse tout usage, puis essuyez avec un chiffon doux et sec.
3. Silencieux – capuchon de sortie en fibre de carbone : utilisez un chiffon doux et sec, mouillé d'un nettoyant en mousse tout usage, puis essuyez avec un chiffon doux et sec.
4. Silencieux et pièces peints – utilisez un chiffon doux et sec, mouillé d'un nettoyant en mousse tout usage, puis essuyez avec un chiffon doux et sec.
5. Silencieux et pièces chromés : utilisez un chiffon doux mouillé d'un nettoyant en mousse tout usage, puis essuyez avec un chiffon doux et sec.
6. Tuyaux en inox : utilisez un chiffon doux mouillé d'un nettoyant de contact, puis essuyez avec un chiffon doux et sec.
7. Tuyaux en titane : utilisez un chiffon doux mouillé d'un lubrifiant en vaporisateur multi-usages (WD-40 ou équivalent)*.

WD-40® est une marque de la société WD-40.

Assurez-vous périodiquement que tous les boulons et tous les ressorts sont suffisamment serrés.



IMPORTANT : assurez-vous que tous les boulons sont suffisamment serrés. En cas de contact entre le système d'échappement et le capot ou des autres pièces, répétez le réglage du système d'échappement ou contactez votre concessionnaire agréé !



ATTENTION : après avoir mis en marche le moteur pendant 30 minutes, resserrez les boulons de la protection thermique d'Akrapovič en fibre de carbone !



CONSEIL D'INSTALLATION : IL EST NORMAL QUE LA FUMÉE BLANCHE SORTE DU SILENCIEUX DURANT LES 100 PREMIERS KM APRÈS LE REMPLACEMENT.



CONSEIL D'INSTALLATION : LE SYSTÈME D'ÉCHAPPEMENT PEUT CHANGER DE COULEUR EN RAISON DES TEMPÉRATURES ÉLEVÉES.



ATTENTION : NE RESTEZ PAS DERRIÈRE LE SILENCIEUX LORS DE LA PREMIÈRE UTILISATION.



IMPORTANT : N'UTILISEZ PAS DE NETTOYANTS DESTINÉS AUX ROUES D'AUTOMOBILES OU DE PRODUITS DE NETTOYAGE CONTENANT DES ADDITIFS ACIDIQUES POUR NETTOYER LES SYSTÈMES D'ÉCHAPPEMENT D'AKRAPOVIČ.

DÉPANNAGE :

Problème	Cause possible	Solution
Fuites du gaz d'échappement du silencieux / raccordements du collier du tuyau	collier desserré	resserrer le collier au couple spécifié
	le raccord n'est pas complètement serré	mettez la connexion en place et serrer le collier au couple spécifié



Instrucciones de montaje

Sistema de escape Akrapovič
Racing y Evolution
para el modelo
Kawasaki KX250F

**ÚNICAMENTE PARA USO EN CIRCUITOS DE
CARRERA CERRADOS.
NO HA SIDO DISEÑADO PARA EL USO EN
CARRETERA.**

Enhorabuena, ha adquirido el sistema de escape Akrapovič. El sistema de escape Akrapovič es un producto de Akrapovič d.d., Malo Hudo 8a, 1295 Ivančna Gorica, Eslovenia («Akrapovič»).

Por favor lea este manual de instrucciones atentamente antes de empezar con el montaje y el uso del sistema de escape Akrapovič.

El sistema de escape Akrapovič sólo deberá ser montado por técnicos cualificados con experiencia en montaje y funcionamiento de sistemas de escape para motocicletas. Siga estrictamente las instrucciones contenidas en este manual para garantizar un correcto montaje y un uso seguro del sistema de escape Akrapovič. Akrapovič y/o sus socios no se harán responsables de ningún daño material o personal (incluidos daños directos, indirectos o perjuicios) acaecido por un montaje incorrecto o un uso indebido del sistema de escape Akrapovič, contrario a las instrucciones y advertencias contenidas en este manual.

En caso de dudas o preguntas respecto al montaje y/o el buen uso de los sistemas de escape Akrapovič o a estas instrucciones, contacte con el distribuidor oficial de Akrapovič en su localidad.

Para más información sobre los sistemas de escape Akrapovič, visite la página oficial de Akrapovič:
<http://www.akrapovic.com>

INFORMACIÓN GENERAL

Su seguridad es nuestra máxima prioridad. Por favor conduzca con responsabilidad, seguridad y obedezca siempre a las normas generales de tráfico.

Todas las declaraciones de conformidad de los sistemas de escape hacen referencia a los sistemas de escape «en su versión actual». Cualquier modificación en el sistema de escape Akrapovič o montaje indebido que no siga las instrucciones de montaje contenidas en este manual podría provocar serios daños materiales al sistema de escape y/o al motor, así como daños personales, y podrá afectar a la conformidad legal de los sistemas de escape, tales como las emisiones aéreas y/o acústicas del sistema de escape (p. ej. prohibición de utilizar la moto en la vía pública), así como a la cobertura de la garantía.

El sistema de escape se podrá utilizar únicamente en cumplimiento con la legislación y normativas vigentes, incluidas las leyes estatales y federales, donde sean aplicables.

Los daños causados por un montaje, un uso o un mantenimiento indebido del sistema de escape Akrapovič no están cubiertos por la garantía de Akrapovič. Por favor consulte la garantía adjunta para comprobar los términos de nuestra garantía.

Las especificaciones técnicas de los sistemas de escape de Akrapovič y productos afines a ellos están sujetos a cambios sin previo aviso.

DERECHOS DE AUTOR Y AVISOS SOBRE OTROS DERECHOS

La marca comercial Akrapovič, incluidos sus logos e imagen corporativa, están protegidos por los derechos de autor y propiedad intelectual de la marca Akrapovič. Están por tanto sujetos a la autorización de Akrapovič para uso de la licencia por parte de terceros.

Cualquier tipo de reproducción, manipulación técnica o de otra índole, traducción u otro tipo de uso de los derechos de autor y/o propiedad de la marca contenida en este manual queda terminantemente prohibida sin el consentimiento expreso por escrito por parte de Akrapovič. Lo mismo es aplicable al completo contenido de este manual y/o a cualquiera de sus partes, incluidas aunque no limitado a ellas, las especificaciones técnicas, instrucciones, gráficos, fotografías, etc.

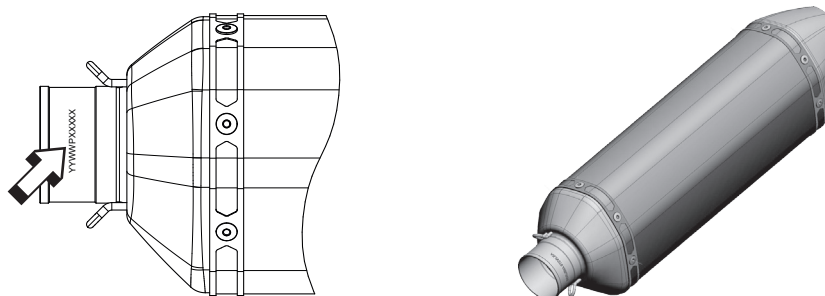
La forma del sistema de escape está protegida por el registro de diseños y modelos comunitarios nº RCD 002747246-0001.

Akrapovič se toma muy en serio todas las infracciones que atentan contra los derechos de autor y propiedad intelectual. En caso de que tenga algún motivo para sospechar que su sistema de escape no sea un producto original de Akrapovič, por favor póngase en contacto con nuestros distribuidores oficiales locales o con Akrapovič mediante la dirección de correo electrónico info@akrapovic.com.

ADVERTENCIA SOBRE SEGURIDAD Y CUMPLIMIENTO CON LAS NORMATIVAS, POR FAVOR LEA ATENTAMENTE

ANTES DE RETIRAR EL SISTEMA DE ESCAPE ORIGINAL Y COMENZAR CON EL MONTAJE DE SU NUEVO ESCAPE AKRAPOVIČ, POR FAVOR ASEGÚRESE DE QUE CUENTE CON TODOS LOS OBJETOS ENUMERADOS A CONTINUACIÓN:

- ESTE MANUAL HA SIDO DISEÑADO ESPECÍFICAMENTE PARA LA MOTO QUE APARECE EN LA PORTADA. EL PROCESO DE MONTAJE VARÍA SEGÚN EL TIPO DE MOTOCICLETA. POR FAVOR COMPRUEBE QUE **EL SISTEMA DE ESCAPE DE AKRAPOVIČ Y ESTE MANUAL DE MONTAJE SE CORRESPONDAN A SU TIPO DE MOTOCICLETA.**
- EL SISTEMA DE ESCAPE PUEDE CALENTARSE EN EXCESO DURANTE SU USO Y TRAS SER USADO. ASEGÚRESE DE NO TOCAR EL SISTEMA DE ESCAPE HASTA QUE SE HAYA ENFRIADO DEL TODO. **PERMITA QUE EL ESCAPE Y EL MOTOR SE ENFRÍEN ANTES DE EMPEZAR CON EL MONTAJE.**
- COMPRUEBE QUE LA MOTOCICLETA **SE ENCUENTRE EN UNA POSICIÓN SEGURA PARA EVITAR QUE VUELQUE** PUDIENDO PROVOCAR DAÑOS PERSONALES A USTED O A OTROS, O DAÑOS MATERIALES A LA MOTO.
- POR FAVOR COMPRUEBE QUE LAS PIEZAS QUE HAYA RECIBIDO COINCIDAN CON LA LISTA DE PIEZAS DISPONIBLE EN NUESTRA PÁGINA WEB (POR FAVOR UTILICE EL CÓDIGO QR DE LA PÁGINA PRINCIPAL O BUSQUE «VISTA FRONTAL» EN LA PÁGINA DEL PRODUCTO CORRESPONDIENTE EN WWW.AKRAPOVIC.COM). COMPRUEBE QUE TENGA **TODAS LAS PIEZAS NECESARIAS PARA EL MONTAJE** DE SU NUEVO SISTEMA DE ESCAPE AKRAPOVIČ. EN CASO DE QUE LE FALTE ALGUNA DE LAS PIEZAS, POR FAVOR NO EMPIECE A DESMONTAR SU SISTEMA DE ESCAPE ORIGINAL / MONTAR EL SISTEMA DE ESCAPE DE AKRAPOVIČ, CONTACTE CON EL DISTRIBUIDOR QUE LE HA VENDIDO EL SISTEMA DE ESCAPE AKRAPOVIČ.
- **GARANTICE SIEMPRE UNA DISTANCIA DE SEGURIDAD DE SU MOTO CON EL SUELO.** RECOMENDAMOS A LOS USUARIOS AVANZADOS QUE COMPRUEBEN LOS AJUSTES DE PRETENSIÓN DEL MUELLE PARA OPTIMIZAR LA DISTANCIA CON EL SUELO CUANDO SEA POSIBLE.
- LOS SILENCIADORES DE LOS SISTEMAS DE ESCAPE TIENEN UN NÚMERO DE SERIE PROPIO QUE CORROBORA LA AUTENTICIDAD DEL PRODUCTO. PUEDE ENCONTRAR EL NÚMERO DE SERIE EN EL TUBO DE ENTRADA DEL SILENCIADOR. PUEDE GUIARSE POR LA IMAGEN QUE FIGURA A CONTINUACIÓN. POR FAVOR COMPRUEBE QUE SU SISTEMA DE ESCAPE ES UN PRODUCTO ORIGINAL DE AKRAPOVIČ. EN CASO DE DUDA, POR FAVOR CONTACTE CON EL PUNTO DE VENTA EN EL QUE HA COMPRADO EL SISTEMA DE ESCAPE O CON LOS DISTRIBUIDORES DE AKRAPOVIČ. ESTE MANUAL, CUALQUIER CERTIFICADO O GARANTÍA DE AKRAPOVIČ SON ÚNICAMENTE APLICABLES A SUS PRODUCTOS ORIGINALES.



POSICIÓN DEL NÚMERO DE SERIE

ADVERTENCIA SOBRE RUIDOS Y EMISIONES

Advertencia general

Dado que los productos de Akrapovič d.d. se distribuyen a nivel mundial, ni Akrapovič d.d., ni ninguna de sus empresas subsidiarias se comprometen a que sus productos cumplan con los niveles de emisión aéreos y/o acústicos, ni con las leyes de etiquetado de todas las jurisdicciones existentes. Los compradores son los únicos responsables de informarse sobre las leyes aplicables en las zonas de uso de los productos y cumplirlas.

Aunque el cumplimiento de los productos Akrapovič con la legislación vigente en un país determinado es responsabilidad del usuario, puede encontrar unas directrices básicas sobre el cumplimiento de su sistema de escape Akrapovič respecto de varios requisitos legales en la parte de productos de nuestra página web (por favor utilice el código QR de la página principal o consulte la página del producto correspondiente en www.akrapovic.com). Para las homologaciones de tipo CE y CEE por favor consulte el certificado que acompaña a su producto.

ADVERTENCIA PARA EE.UU.

Varios estados de EE.UU. y el gobierno federal de los EE.UU. tienen leyes individuales que regulan el uso del mercado de recambios de piezas y sistemas de escape, en especial aquellas piezas y sistemas que modifican, eliminan o sustituyen a los catalizadores originales. Por favor consulte las leyes de cada región antes de montar piezas o sistemas de recambio en su vehículo para asegurarse de que cumple con la legislación vigente. Ni Akrapovic d. d., ni ninguna de sus empresas subsidiarias o distribuidores de piezas o sistemas se comprometen a que todas las piezas o sistemas cumplan con todas las legislaciones vigentes.

ADVERTENCIA PARA CALIFORNIA

El Estado de California prohíbe el uso de sistemas de escape de recambio que modifiquen, retiren o reemplacen los catalizadores originales, a no ser que el California Air Resources Board haya emitido una orden ejecutiva aprobando dichas piezas o sistemas o que las piezas o sistemas estén exentas de ello por ser destinadas exclusivamente al uso en circuitos de carrera cerrados. Ni Akrapovic d. d., ni ninguna de sus empresas subsidiarias o distribuidores de piezas o sistemas confirman que las piezas o sistemas distribuidos cuenten con una orden ejecutiva o con la exención por uso exclusivo en circuitos de carrera cerrados. Los compradores son los únicos responsables de informarse y cumplir con la legislación aplicable en California.

NOTA GENERAL

Las fotografías y otras ilustraciones en este manual son simbólicas y están destinadas a ayudar a representar los pasos individuales para un correcto montaje y uso, así como para ofrecer una perspectiva general. Puede que las piezas de los componentes reales de los sistemas de escape Akrapovič no se correspondan con las fotografías y otras ilustraciones.

SÍMBOLOS

A lo largo de estas instrucciones de desinstalación se utilizarán los siguientes símbolos:



HERRAMIENTAS Y EQUIPOS DE PROTECCIÓN REQUERIDOS



PAR DE APRIETE



LUBRICACIÓN



AJUSTE MANUAL



CONSEJO PARA EL MONTAJE



¡ATENCIÓN O IMPORTANTE!

UTILICE MATERIAL SELLANTE PARA PERNOS



Aplique 3 o 4 gotitas de material sellante para pernos sobre las tuercas limpias y desengrasadas antes de apretar los pernos.

¡ADVERTENCIA! Evite el contacto con la piel, ojos y membranas mucosas. No inhale los humos. Mantenga los productos fuera del alcance de los niños.

UTILICE PASTA DE COBRE ANTIADHERENTE (tubo negro)



Ofrece una protección duradera y segura contra la adherencia, corrosión y oxidación de los pernos, las cabezas roscadas, tuercas, juntas, etc. También protege contra la vibración, el desgaste y el impacto.

¡ADVERTENCIA! Evite el contacto con los ojos. Mantenga los productos fuera del alcance de los niños.

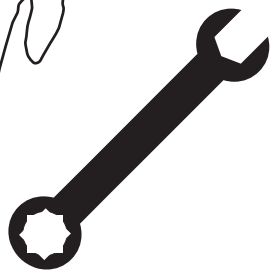
UTILICE GRASA ANTIADHERENTE (tubo blanco)



Evita la adherencia, corrosión y el desgaste excesivo entre los componentes de titanio y el sistema de escape.

¡ADVERTENCIA! Evite el contacto con los ojos. Mantenga los productos fuera del alcance de los niños.

Herramientas y material



- Llave de 8 mm con mango en T
- Llave de 10 mm con mango en T
- Llave de 12 mm con mango en T
- Llave Torx del 45 con mango en T
- Tirador de muelles

LISTA DE PIEZAS

En su caja debería encontrar las siguientes piezas:

- Manual de montaje
- Certificado de homologación/ documentos de conformidad en caso necesario
- Garantía
- Material de montaje
- Silenciadores y tubos

Puede encontrar una lista detallada de piezas en la página web de Akrapovič (por favor use el código QR en la página principal o busque «vista frontal» en la página del producto correspondiente en www.akrapovic.com).

RETIRADA DEL SISTEMA DE ESCAPE ORIGINAL:

El proceso para desmontar el sistema de escape original puede variar según el tipo de sistema de escape existente. Por favor siga las instrucciones del fabricante del sistema de escape original para desmontar el sistema de escape original.

En caso de que por cualquier razón decida hacer lo contrario, por favor tenga en cuenta que la información proporcionada en estas instrucciones sólo podrán ser consideradas como informaciones generales proporcionadas para su comodidad. Akrapovič no se hará responsable de la desinstalación de su sistema de escape existente, ni prestará garantías sobre dicha pieza, su vehículo o su correcto funcionamiento tras la operación.

En caso de que el uso de su sistema de escape Akrapovič no esté permitido en ciertas carreteras o en ciertas condiciones, por favor mantenga el escape original u otras piezas del sistema que puedan ser utilizadas legalmente en dichas circunstancias.

RETIRADA DEL SISTEMA DE ESCAPE ORIGINAL:

1. Apoye la moto sobre un caballete de carreras central. Asegúrese de que la superficie es plana y sólida.
2. Desatornille los tornillos indicados y retire el panel lateral derecho **(F 01)**.
! IMPORTANTE: ¡Tenga cuidado de no dañar ninguna pieza de la moto durante este proceso!
3. Afloje la abrazadera indicada y desatornille el tornillo del soporte del tubo de conexión **(F 02)**.
! IMPORTANTE: ¡Tenga cuidado de no dañar ninguna pieza de la moto durante este proceso!
4. Desatornille el tornillo del soporte del silenciador y retire el silenciador con cuidado de la moto **(F 03)**.
! IMPORTANTE: ¡Sujete el silenciador durante este proceso!
! CUIDADO: ¡Tenga cuidado de no lesionarse, ni dañar ninguna pieza de la moto durante este proceso!
5. Desatornille las dos tuercas indicadas y retire el tubo del múltiple original con cuidado de la moto **(F 04)**.
! IMPORTANTE: ¡Tenga cuidado de no dañar ninguna pieza de la moto durante este proceso!

MONTAJE DEL SISTEMA DE ESCAPE AKRAPOVIČ:

1. Monte el manguito con la brida y los muelles, tal y como se muestra (F 05).
2. Coloque el manguito con la brida y los muelles montados en la moto y apriete las dos tuercas originales indicadas manualmente (F 06).

! IMPORTANTE: ¡No apriete todavía completamente las tuercas!

✂ CONSEJO PARA EL MONTAJE: Utilice una nueva junta en el conducto de escape original.

3. Monte el protector térmico de fibra de carbono sobre el tubo del múltiple utilizando los tornillos y las arandelas resistentes al calor de Akrapovič (F 07, 08).

✂ CONSEJO PARA EL MONTAJE: ¡Atornille las arandelas resistentes al calor a los tornillos, no intente meterlas a presión!

! IMPORTANTE: ¡Asegúrese de colocar las arandelas resistentes al calor de mayor tamaño entre el tubo del múltiple y el protector térmico de fibra de carbono, y las arandelas de menor tamaño entre las cabezas de los tornillos y el protector térmico!

4. Introduzca el tubo del múltiple en el manguito, fije los muelles y apriete las tuercas con el par de apriete especificado (F 09).

! IMPORTANTE: ¡Antes de apretar las tuercas, asegúrese de que los muelles tiran del tubo del múltiple hasta introducirlo en los manguitos - utilice un mazo de goma en caso necesario para poner las piezas en su lugar!

5. Monte la abrazadera del kit de montaje de Akrapovič en la toma de entrada del silenciador, tal y como se muestra (F 10).

6. Monte los cojinetes de aluminio en el soporte de caucho del silenciador, tal y como se muestra (F 11, 12).

7. Deslice el silenciador cuidadosamente hacia la salida del tubo del múltiple. Apriete manualmente la abrazadera, el soporte del silenciador (usando el tornillo original y la arandela del kit de montaje de Akrapovič), el tornillo del soporte del tubo de conexión (usando el tornillo original) y fije el muelle más largo del kit de montaje de Akrapovič, tal y como se muestra (F 13).

! IMPORTANTE: ¡No apriete todavía completamente los tornillos!

! IMPORTANTE: ¡Tenga cuidado de no dañar ninguna pieza de la moto durante este proceso!

8. Alinee el silenciador tomando la moto como referencia y apriete el tornillo del soporte del silenciador, el tornillo de soporte del tubo de conexión y la abrazadera con el par de apriete especificado (F 14, 15).

9. Vuelva a montar el panel lateral derecho y apriete los tornillos indicados con los pares de apriete especificados (F 16).

! IMPORTANTE: ¡Tenga cuidado de no dañar ninguna pieza de la moto durante este proceso!

INSTALACIÓN FINAL Y MANTENIMIENTO:

Limpie las manchas de grasa de las superficies del sistema de escape al terminar con la instalación. La limpieza impedirá que las manchas de grasa puedan inflamarse en la superficie. No utilice agentes químicos agresivos durante la limpieza, ya que podrían provocar daños en ella o en los adhesivos.

1. Silenciador – casquillo exterior de titanio: utilice un paño suave rociado con un dispersor multiuso de lubricante (WD-40 o equivalente)*.
2. Silenciador – casquillo exterior de fibra de carbón: utilice un paño suave seco, rociado con limpiador multiuso en forma de espuma, a continuación pase otro paño suave seco.
3. Silenciador – tapa de salida de fibra de carbón: utilice un paño suave seco, rociado con limpiador multiuso en forma de espuma, a continuación pase otro paño suave seco.
4. Silenciadores y piezas pintadas – utilice un paño suave rociado con limpiador multiuso en forma de espuma, a continuación pase un paño suave seco.
5. Silenciadores y piezas de acero cromado: utilice un paño suave rociado con limpiador multiuso en forma de espuma, a continuación pase un paño suave seco.
6. Tubos de acero inoxidable: utilice un paño rociado con un limpiador de contacto, a continuación pase un paño suave seco.
7. Tubos de titanio: utilice un paño suave rociado con lubricante multiusos (WD-40 o equivalente)*.

*WD-40® es una marca registrada de la empresa WD-40.

Revise la sujeción de todos los pernos y muelles periódicamente.



IMPORTANTE: ¡Asegúrese de que todos los pernos estén bien apretados! ¡En caso de que el sistema de escape toque el capó u otras piezas, vuelva a ajustar el sistema de escape o contacte con su distribuidor oficial!



CUIDADO: ¡Vuelva a apretar los pernos del protector térmico de fibra de carbón de Akrapovič, 30 minutos después de encender el motor!



CONSEJO PARA EL MONTAJE: ES NORMAL QUE SALGA HUMO BLANCO DEL SILENCIADOR DURANTE LOS PRIMEROS 100 KM TRAS EL REEMPLAZO.



CONSEJO PARA EL MONTAJE: UN CAMBIO EN EL COLOR DEL SISTEMA DE ESCAPE ES NORMAL, DEBIDO A LAS ALTAS TEMPERATURAS.



CUIDADO: NO SE PONGA DETRÁS DEL SILENCIADOR TRAS ARRANCAR LA MOTO POR PRIMERA VEZ.



IMPORTANTE: NO UTILICE LIMPIADORES PARA RUEDAS DE COCHE, NI PRODUCTOS DE LIMPIEZA QUE CONTENGAN ADITIVOS ÁCIDOS PARA LIMPIAR LOS SISTEMAS DE ESCAPE DE AKRAPOVIČ.

RESOLUCIÓN DE PROBLEMAS:

Problema	Posible causa	Solución
El gas de escape sale por el silenciador/ las conexiones de las abrazaderas de los tubos	abrazadera suelta	apriete la abrazadera hasta el par especificado
	las conexiones no están totalmente unidas	ponga la conexión en su sitio, a continuación apriete la abrazadera hasta el par especificado



Instruções de montagem

Sistema de escape Akrapovič
Racing and Evolution
para
Kawasaki KX250F

**APENAS PARA UTILIZAÇÃO EM COMPETIÇÃO DE
CIRCUITO FECHADO.
NÃO SE DESTINA A UTILIZAÇÃO RODOVIÁRIA.**

Parabéns pela compra do sistema de escape Akrapovič. O sistema de escape Akrapovič é um produto da Akrapovič d.d., Malo Hudo 8a, 1295 Ivančna Gorica, Eslovénia ("Akrapovič").

Por favor, leia com atenção o manual de instalação antes de instalar e utilizar o sistema de escape Akrapovič.

A instalação do sistema de escape Akrapovič deverá ser executada por profissionais qualificados na instalação e no desempenho do sistema de escape de motociclos. As instruções fornecidas neste manual devem ser seguidas de forma a garantir a instalação adequada e utilização segura do sistema de escape Akrapovič. A Akrapovič e/ou os seus parceiros não serão responsabilizados por qualquer dano ou lesão corporal (incluindo danos diretos, indiretos ou consequentes) resultante da instalação incorreta ou da utilização e manutenção incorretas do sistema de escape Akrapovič contrárias às instruções e avisos contidos no presente documento.

Em caso de dúvidas acerca da instalação e/ou utilização adequada do sistema de escape Akrapovič ou deste manual, contacte o representante local da Akrapovič.

Para mais informações acerca dos sistemas de escape Akrapovič, consulte a página oficial da Internet da Akrapovič em:
<http://www.akrapovic.com>

INFORMAÇÃO GERAL

A sua segurança é a nossa prioridade número um. Conduza o seu motociclo de forma responsável, em segurança, e cumpra sempre as regras de trânsito locais.

Todas as declarações sobre a conformidade do sistema de escape são realizadas em relação ao sistema «tal como está». Quaisquer alterações ao sistema de escape Akrapovič ou à sua instalação, utilização ou manutenção inadequadas, que não estejam de acordo com estas instruções de instalação podem provocar danos graves no sistema de escape e/ou motor, assim como lesões corporais, podendo também afetar a conformidade do sistema de escape com os requisitos legais, designadamente as emissões de gases e/ou ruído (por exemplo, o motociclo pode deixar de ser considerado adequado para circular em vias públicas), bem como pode invalidar a cobertura da garantia.

O sistema de escape só pode ser usado de acordo com as leis e regulações relevantes, incluindo estatais e federais, onde aplicável.

Os danos provocados por instalação, utilização e manutenção inadequadas do sistema de escape Akrapovič não são abrangidos pela garantia Akrapovič. Consulte a garantia anexa em relação aos termos da nossa garantia.

As especificações técnicas dos sistemas de escape Akrapovič e produtos relacionados estão sujeitas a alterações sem aviso prévio.

NOTIFICAÇÃO DE DIREITOS DE AUTOR E OUTROS DIREITOS

A marca registada Akrapovič, incluindo os logótipos e emblemas empresariais, está sujeita a direitos de autor, bem como os direitos da marca registada Akrapovič, seus licenciados ou terceiros que autorizam a Akrapovič a usá-los.

Qualquer reprodução, manipulação técnica ou outra, tradução ou outra utilização dos direitos de autor e/ou direitos de marca registada aqui contidos, são proibidos sem o prévio consentimento explícito e escrito da Akrapovič. O mesmo se aplica especialmente a todo o conteúdo deste manual e/ou qualquer uma das suas partes, incluindo nomeadamente especificações técnicas, instruções, gráficos, fotografias e conteúdos semelhantes incluídos neste manual.

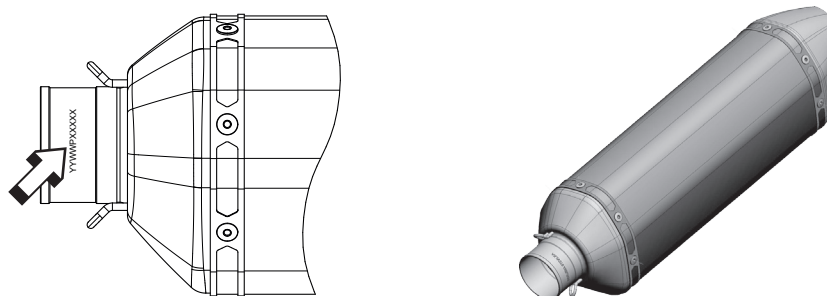
A forma do sistema de escape está protegida pelo desenho ou modelo comunitário n.º RCD 002747246-0001

Akrapovič é rígida no que diz respeito a todos os casos de violação de direitos de autor e de outros direitos. Caso tenha motivos para acreditar que o seu sistema de escape não é um produto original da Akrapovič, contacte os nossos representantes locais ou a Akrapovič para info@akrapovic.com.

AVISO DE SEGURANÇA E CONFORMIDADE, LEIA ATENTAMENTE

ANTES DE RETIRAR O SISTEMA DE ESCAPE E INICIAR A INSTALAÇÃO DO SEU NOVO ESCAPE AKRAPOVIČ, CERTIFIQUE-SE DE QUE TODOS OS ITENS ABAIXO DESCRITOS FORAM VERIFICADOS:

- ESTE MANUAL É ESPECÍFICO PARA O MOTOCICLO INDICADO NA CAPA, PARA O QUAL FOI CONCEBIDO. OS PROCEDIMENTOS DE INSTALAÇÃO DEPENDEM DO TIPO DE MOTOCICLO. VERIFIQUE SE O **SISTEMA DE ESCAPE AKRAPOVIČ E ESTE MANUAL DE INSTALAÇÃO CORRESPONDEM AO MODELO DO SEU MOTOCICLO.**
- O SISTEMA DE ESCAPE PODE ATINGIR ELEVADAS TEMPERATURAS DURANTE E APÓS A SUA UTILIZAÇÃO. CERTIFIQUE-SE DE QUE NÃO TOCA NO SISTEMA DE ESCAPE ATÉ QUE ESTE ESTEJA TOTALMENTE FRIO. **DEIXE QUE O ESCAPE E O MOTOR ARREFEÇAM ANTES DE INICIAR A INSTALAÇÃO.**
- CERTIFIQUE-SE DE QUE O MOTOCICLO ESTÁ **ESTÁVEL PARA EVITAR QUE CAIA** E CAUSE LESÕES A SI E A OUTRAS PESSOAS OU DANIFIQUE O MOTOCICLO.
- VERIFIQUE AS PEÇAS QUE RECEBEU NA LISTA DE PEÇAS DISPONÍVEL NO NOSSO SÍTIO WEB (USE O CÓDIGO QR NA CAPA OU PESQUISE A «VISUALIZAÇÃO ESQUEMÁTICA» NA PÁGINA CORRESPONDENTE DO PRODUTO EM WWW.AKRAPOVIC.COM). CERTIFIQUE-SE DE QUE TEM **TODAS AS PEÇAS NECESSÁRIAS PARA A INSTALAÇÃO** DO SEU NOVO SISTEMA DE ESCAPE AKRAPOVIČ. SE ALGUMA PEÇA ESTIVER EM FALTA, NÃO PROCEDA À DESMONTAGEM DO SEU SISTEMA DE ESCAPE INSTALADO/ À INSTALAÇÃO DO SISTEMA DE ESCAPE AKRAPOVIČ E CONTACTE O REVENDEDOR ONDE ADQUIRIU O SISTEMA DE ESCAPE AKRAPOVIČ.
- MANTENHA SEMPRE **A DISTÂNCIA AO SOLO DO SEU MOTOCICLO.** AOS UTILIZADORES MAIS EXPERIENTES, RECOMENDAMOS QUE VERIFIQUE AS CONFIGURAÇÕES DE PRÉ-CARGA DA MOLA PARA OTIMIZAR A DISTÂNCIA AO SOLO QUANDO POSSÍVEL.
- TODOS OS SILENCIADORES DO SISTEMA DE ESCAPE TÊM O SEU NÚMERO DE SÉRIE ÚNICO, QUE IDENTIFICA A AUTENTICIDADE DO PRODUTO. PODE ENCONTRAR O NÚMERO DE SÉRIE NO TUBO DE ENTRADA DO SILENCIADOR. CONSULTE A IMAGEM ABAIXO. VERIFIQUE SE O SEU SISTEMA DE ESCAPE É UM PRODUTO ORIGINAL AKRAPOVIČ. EM CASO DE DÚVIDAS, CONTACTE O REVENDEDOR ONDE ADQUIRIU O SISTEMA DE ESCAPE OU OS REPRESENTANTES AKRAPOVIČ. ESTE MANUAL, QUAISQUER CERTIFICADOS E GARANTIA DA AKRAPOVIČ APLICAM-SE APENAS A PRODUTOS ORIGINAIS.



POSIÇÃO DO NÚMERO DE SÉRIE

AVISOS DE RUÍDO E EMISSÕES

Aviso geral

Devido à distribuição mundial dos produtos Akrapovič d.d., nem a Akrapovič d.d., nem qualquer uma das suas subsidiárias, garante que o sistema de escape cumpre as regras de emissões de gases e/ou ruídos, ou leis de rotulagem, de qualquer jurisdição. Os adquirentes são totalmente responsáveis por conhecerem as leis aplicáveis ao local em que os produtos serão utilizados e pelo cumprimento dessas leis.

Embora a conformidade legal de produtos Akrapovič num país específico deva ser determinada pelo utilizador, pode consultar algumas orientações básicas sobre a conformidade do seu sistema de escape Akrapovič em relação a vários requisitos legais na parte relacionada com o produto no nosso sítio Web (use o código QR na capa ou pesquise a página de produto correspondente em www.akrapovic.com). Para aprovações de tipo CE e ECE, consulte o certificado anexo ao seu produto.

AVISO EUA

Vários estados dos Estados Unidos da América e o governo federal dos EUA têm leis independentes que regulam a utilização das peças e sistemas de escape do mercado pós-venda, especialmente porque estas peças e sistemas alteram, retiram ou substituem os catalisadores originais do equipamento. Consulte as leis adequadas na sua área antes de instalar qualquer peça ou sistema de mercado pós-venda no seu veículo, de forma a garantir a conformidade com as leis aplicáveis. Nem a Akrapovič d.d. nem qualquer subsidiária respectiva ou revendedores de peças ou sistemas garantem que quaisquer peças ou sistemas cumpram com quaisquer leis aplicáveis.

AVISO CALIFÓRNIA

As leis da Califórnia proíbem a utilização de peça ou sistema de escape no mercado pós-venda que altere, retire ou substitua os catalisadores originais do equipamento, exceto quando o Conselho de Recursos Atmosféricos da Califórnia (California Air Resources Board) emitiu uma Ordem Executiva em relação a tal peça ou sistema ou exceto quando a peça ou sistema é isenta devido a sua utilização exclusiva em veículos de competição em circuitos fechados. Nem a Akrapovič d.d. nem nenhuma das suas subsidiárias garante que quaisquer peças ou sistemas tenham recebido tal Ordem Executiva ou que quaisquer peças ou sistemas suas estão em conformidade com a isenção de veículos de competição. Os adquirentes são totalmente responsáveis por se informarem acerca das leis aplicáveis na Califórnia e por cumprirem as mesmas.

INFORMAÇÃO GERAL

As fotografias e outras ilustrações que constam deste manual são simbólicas e destinam-se a auxiliar na representação dos passos individuais para a instalação e utilização adequadas, assim como para uma visão geral. As peças reais dos componentes do sistema de escape Akrapovič podem não corresponder inteiramente às fotografias e a outras ilustrações.

SÍMBOLOS

São usados os seguintes símbolos nestas instruções de instalação:



FERRAMENTAS E EQUIPAMENTO DE PROTEÇÃO OBRIGATÓRIOS



TORQUE DE APERTO



LUBRIFICAÇÃO



AJUSTE MANUAL



DICA DE INSTALAÇÃO



ATENÇÃO OU IMPORTANTE

USAR SELANTE DE PARAFUSOS



Aplicar 3 a 4 pequenas gotas de selante de parafusos nos fios limpos e desengordurados, antes de apertar os parafusos.

ATENÇÃO! Evitar o contacto com a pele, olhos ou membranas mucosas. Não inalar os fumos. Manter fora do alcance das crianças.

USAR PASTA DE COBRE ANTIADERENTE SEM CHUMBO (tubo preto)



Fornece proteção de longa duração e sem problemas contra a aderência, corrosão e oxidação de parafusos, extremidades das roscas, porcas, juntas, etc. Também protege contra a vibração, desgaste e impacto.

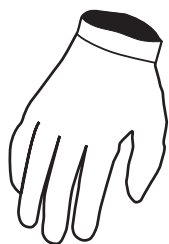
ATENÇÃO! Evitar o contacto com os olhos. Manter fora do alcance das crianças.

USAR MASSA LUBRIFICANTE ANTIADERENTE (tubo branco)



Impede a aderência, corrosão e desgaste excessivo entre os componentes de titânio do seu sistema de escape.

ATENÇÃO! Evitar o contacto com os olhos. Manter fora do alcance das crianças.



- Chave em T de 8 mm
- Chave em T de 10 mm
- Chave em T de 12 mm
- Chave em T Torx 45
- Extrator de molas

LISTA DE PEÇAS

As seguintes peças deverão estar na caixa:

- Manual de instalação
- Certificado de homologação/documentos de conformidade, caso aplicável
- Garantia
- Material de encaixe
- Silenciador e tubos

A lista detalhada das peças pode ser consultada no sítio Web da Akrapovič (utilize o código QR na capa ou pesquise «Visualização esquemática» na página do produto correspondente em www.akrapovic.com).

REMOÇÃO DO SISTEMA DE ESCAPE INSTALADO:

O processo de desmontagem do sistema de escape original pode variar dependendo do sistema de escape original. Siga as indicações do fabricante do sistema de escape original para desmontagem do sistema de escape original.

Se, por qualquer motivo, decidir proceder de outra forma, tenha em consideração que qualquer informação fornecida no presente manual em relação a este assunto deverá ser considerada como informação geral, fornecida apenas para sua conveniência. A Akrapovič não assumirá qualquer responsabilidade em relação à desmontagem do seu sistema de escape existente, cobertura de garantia de tal sistema de escape ou veículo ou pela sua adequação para utilização posterior.

Caso o seu sistema de escape Akrapovič não possa ser usado em determinadas vias ou em determinadas condições, mantenha o sistema de escape existente ou outro que possa usar legalmente nestas situações.

REMOÇÃO DO SISTEMA DE ESCAPE INSTALADO:

1. Coloque o motociclo no descanso de competição central. Certifique-se de que a superfície é estável e plana.
2. Desenrosque os parafusos marcados e retire o painel do lado direito (F 01).
! IMPORTANTE: tenha cuidado para não danificar qualquer peça do motociclo durante este procedimento!
3. Desaperte a abraçadeira marcada e desenrosque o parafuso do suporte do tubo de ligação (F 02).
! IMPORTANTE: tenha cuidado para não danificar qualquer peça do motociclo durante este procedimento!
4. Desenrosque o parafuso da caixa do catalisador e retire cuidadosa e parcialmente a caixa do catalisador (F 03).
! IMPORTANTE: apoie o silenciador durante este processo!
! ATENÇÃO: tenha cuidado para não se magoar nem danificar qualquer peça do motociclo durante este procedimento!
5. Desenrosque as duas porcas marcadas e retire cuidadosamente o tubo do colector existente do motociclo (F 04).
! IMPORTANTE: tenha cuidado para não danificar qualquer peça do motociclo durante este procedimento!

MONTAGEM DO SISTEMA DE ESCAPE AKRAPOVIČ:

1. Monte o corpo em conjunto com o flange e molas, conforme mostrado (F 05).
2. Instale o corpo montado, flange e molas no motociclo e aperte manualmente as duas porcas existentes marcadas (F 06).

! **IMPORTANTE: não aperte ainda totalmente as porcas!**

✂ **DICA DE INSTALAÇÃO: use nova vedação da junta de escape existente.**

3. Monte a proteção térmica em fibra de carbono no tubo do colector, usando os parafusos Akrapovič e anilhas resistentes ao calor (F 07, 08).

✂ **DICA DE INSTALAÇÃO: enrosque as anilhas de resistência ao calor nos parafusos, não tente puxá-las!**

! **IMPORTANTE: certifique-se de que coloca anilhas resistentes ao calor maiores entre o tubo de ligação e proteção térmica de fibra de carbono e anilhas mais pequenas entre as cabeças dos parafusos e proteção térmica!**

4. Introduza o tubo do colector no corpo, fixe as molas, aperte as porcas a um torque especificado (F 09).

! **IMPORTANTE: antes de apertar as porcas, certifique-se de que as molas alinham os tubos do colector até ao corpo - use o macete de borracha para encaixar a ligação no lugar caso necessário!**

5. Monte a abraçadeira do kit de instalação Akrapovič no tubo de entrada do silenciador, conforme mostrado (F 10).

6. Monte corretamente os distanciadores de alumínio no suporte de borracha do silenciador, conforme mostrado (F 11, 12).

7. Deslize cuidadosamente o silenciador no lado exterior do tubo do colector. Aperte manualmente a abraçadeira, suporte do silenciador (usando o parafuso existente e anilha do kit de instalação Akrapovič), parafuso do suporte do tubo de ligação (usando o parafuso existente) e fixe a mola mais longa do kit de instalação Akrapovič, conforme mostrado (F 13).

! **IMPORTANTE: não aperte ainda totalmente os parafusos!**

! **IMPORTANTE: tenha cuidado para não danificar qualquer peça do motociclo durante este procedimento!**

8. Alinhe o silenciador em relação ao motociclo e aperte o parafuso do suporte do silenciador, parafuso do suporte do tubo de ligação e abraçadeira ao torque especificado (F 14, 15).

9. Aperte novamente o painel do lado direito e aperte os parafusos marcados a um torque especificado (F 16).

! **IMPORTANTE: tenha cuidado para não danificar qualquer peça do motociclo durante este procedimento!**

INSTALAÇÃO FINAL E MANUTENÇÃO:

Limpar as manchas de gordura de todas as superfícies do sistema de escape, quando a instalação estiver concluída. A limpeza irá prevenir manchas de queimadura na superfície. Não usar produtos químicos de limpeza agressivos, pois podem danificar a superfície ou o autocolante.

1. Silenciador – manga externa de titânio: usar um pano macio humedecido com um pulverizador lubrificante multiúso (WD-40 ou equivalente)*.
2. Silenciador – manga externa de fibra de carbono: usar um pano macio e seco pulverizado com espuma de limpeza multiúso e, em seguida, limpar com um pano macio e seco.
3. Silenciador – tampão de descarga de fibra de carbono: usar um pano macio e seco pulverizado com espuma de limpeza multiúso e, em seguida, limpar com um pano macio e seco.
4. Silenciadores pintados e peças – usar um pano macio e seco pulverizado com espuma de limpeza multiúso e, em seguida, limpar com um pano macio e seco.
5. Silenciadores cromados e peças: usar um pano macio e seco pulverizado com espuma de limpeza multiúso e, em seguida, limpar com um pano macio e seco.
6. Tubos de aço inoxidável: usar um pano macio e seco pulverizado com espuma de limpeza multiúso e, em seguida, limpar com um pano macio e seco.
7. Tubos de titânio: usar um pano macio humedecido com um pulverizador lubrificante multiúso (WD-40 ou equivalente)*.

*WD-40® é uma marca comercial da WD-40 Company.

Certifique-se periodicamente de que todos os parafusos e molas estão suficientemente apertados.



IMPORTANTE: certifique-se de que todos os parafusos estão suficientemente apertados. Caso o sistema de escape toque na carroçaria ou noutras peças, repita o ajustamento do sistema de escape ou contacte o seu revendedor autorizado.



CUIDADO: depois de ter o motor em funcionamento durante 30 minutos, aperte novamente os parafusos da proteção térmica em fibra de carbono Akrapovič!



DICA DE INSTALAÇÃO: É NORMAL QUE SAIA FUMO BRANCO DO SILENCIADOR DURANTE OS PRIMEIROS 100 KM APÓS A SUBSTITUIÇÃO.



DICA DE INSTALAÇÃO: É NORMAL UMA MUDANÇA NA COR DO SISTEMA DE ESCAPE DEVIDO ÀS TEMPERATURAS ELEVADAS.



CUIDADO: NÃO FICAR ATRÁS DO SILENCIADOR DURANTE A PRIMEIRA OPERAÇÃO.



IMPORTANTE: NÃO LIMPE OS SISTEMAS DE ESCAPE AKRAPOVIČ COM PRODUTOS DE LIMPEZA DE JANTES PARA AUTOMÓVEIS OU QUAISQUER PRODUTOS DE LIMPEZA QUE CONTENHAM ADITIVOS DE ÁCIDO.

RESOLUÇÃO DE PROBLEMAS:

Problema	Possível causa	Solução
Fugas de gás do silenciador/ das ligações das braçadeiras de tubulação	Braçadeira solta	Apertar a braçadeira com o torque especificado
	A ligação não está completamente unida	Bater na ligação até se posicionar corretamente e apertar a braçadeira com o torque especificado



Navodila za namestitvev

Izpušni sistem Akrapovič
Racing in Evolution
za model
Kawasaki KX250F

**SAMO ZA UPORABO NA ZAPRTIH DIRKALIŠČIH.
NI NAMENJENO ZA UPORABO V PROMETU.**

Čestitamo vam za nakup izpušnega sistema Akrapovič. Izpušne sisteme Akrapovič proizvaja podjetje Akrapovič d.d., Malo Hudo 8a, 1295 Ivančna Gorica, Slovenija (v nadaljevanju: »Akrapovič«).

Pred namestitvijo in uporabo izpušnega sistema Akrapovič pozorno preberite celotna navodila.

Izpušni sistem Akrapovič naj namesti usposobljen strokovnjak, ki je temeljito seznanjen z namestitvijo in delovanjem izpušnih sistemov za motorna kolesa. Upoštevanje navodil v tem priročniku zagotavlja ustrezno namestitev in varno uporabo izpušnega sistema Akrapovič. Podjetje Akrapovič in/ali njegovi partnerji ne odgovarjajo za škodo ali poškodbe (vključno z neposredno, posredno ali posledično), nastale zaradi neustrezne namestitve izpušnega sistema Akrapovič ter uporabe ali vzdrževanja v nasprotju z navodili in neupoštevanja navodil v tem priročniku.

V primeru vprašanj o namestitvi in/ali pravilni uporabi izpušnega sistema Akrapovič ali teh navodilih se obrnite na pooblaščenega lokalnega partnerja podjetja Akrapovič.

Za več informacij o izpušnih sistem Akrapovič obiščite spletno stran:
<http://www.akrapovic.com>

SPLOŠNE INFORMACIJE

Vaša varnost je najpomembnejša. Motorno kolo vozite odgovorno in varno ter vedno upoštevajte lokalne prometne predpise.

Vse izjave v zvezi s skladnostjo izpušnega sistema veljajo za izpušne sisteme v stanju ob proizvodnji. Vsakršne spremembe izpušnih sistemov Akrapovič ali neustrezna namestitev, uporaba ali vzdrževanje, ki ni skladna z navodili v tem priročniku za namestitev, lahko povzroči resne poškodbe izpušnega sistema in/ali motorja ter telesne poškodbe, prav tako pa lahko izniči skladnost izpušnega sistema s pravnimi zahtevami, npr. predpisi o ravnih emisij v zrak in emisij hrupa (npr. motorno kolo posledično morda ne bo več primerno za uporabo na javnih cestah), ter veljavnost garancije.

Izpušni sistem uporabljajte izključno skladno z vso veljavno zakonodajo in predpisi, med drugim državnimi in zveznimi, kadar je to predvideno.

Podjetje Akrapovič ne daje nobenih zagotovil glede škode, ki je posledica neustrezne namestitve, uporabe ali vzdrževanja izpušnega sistema Akrapovič. Glede garancijskih pogojev si oglejte priložen garancijski list.

Tehnične specifikacije izpušnih sistemov Akrapovič in sorodnih izdelkov se lahko spremenijo brez vnaprejšnjega obvestila.

OBVESTILO O AVTORSKIH IN DRUGIH PRAVICAH

Blagovna znamka Akrapovič, vključno z logotipi in emblemi, je zaščitena z avtorskimi pravicami ter pravicami blagovne znamke podjetja Akrapovič, izdajatelj licenc in tretjih oseb, ki so podjetje Akrapovič pooblastili za uporabo.

Reprodukcija, tehnično in drugačno spreminjanje, prevajanje ali drugačna uporaba avtorskih pravic oz. pravic blagovne znamke v tem priročniku je brez predhodnega soglasja podjetja Akrapovič strogo prepovedana. To še posebej velja za celotno vsebino tega priročnika in/ali vsakršne njegove dele, med drugim tehnične specifikacije, navodila, grafe, fotografije in podobna gradiva v tem priročniku.

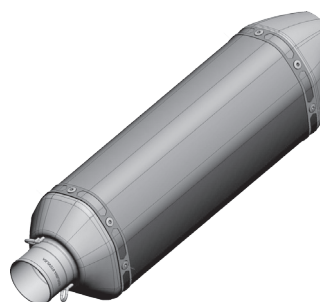
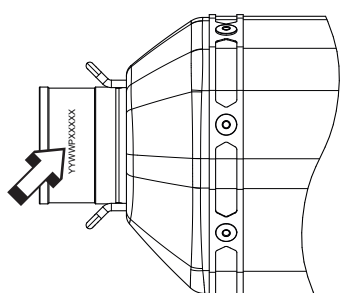
Oblika izpušnega sistema je zaščitena z registriranim modelom Skupnosti št. RCD 002747246-0001.

Podjetje Akrapovič bo resno obravnavalo vsako kršitev avtorskih ali drugih pravic. Če sumite, da vaš izpušni sistem ni originalni izdelek podjetja Akrapovič, se obrnite na lokalnega partnerja podjetja Akrapovič ali na podjetje Akrapovič na naslovu info@akrapovic.com.

NATANČNO PREBERITE NASLEDNJE OPOZORILO ZA ZAGOTAVLJANJE VARNOSTI IN SKLADNOSTI:

PREDEN ODSTRANITE TOVARNIŠKI IZPUŠNI SISTEM IN ZAČNETE Z NAMESTITVIJO SVOJEGA NOVEGA IZPUŠNEGA SISTEMA AKRAPOVIČ, PREVERITE NASLEDNJE ELEMENTE:

- TA PRIROČNIK JE SESTAVLJEN POSEBEJ ZA MOTORNO KOLO, NAVEDENO NA NASLOVNICI PRIROČNIKA. NAMESTITVENI POSTOPKI SE RAZLIKUJEJO GLEDE NA TIP MOTORNEGA KOLESA. PREPRIČAJTE SE, DA SE **IZPUŠNI SISTEM AKRAPOVIČ IN TA PRIROČNIK UJEMATA S TIPOM VAŠEGA MOTORNEGA KOLESA.**
- IZPUŠNI SISTEM SE LAHKO MED UPORABO MOČNO SEGREJE IN OSTANE VROČ ŠE PO UPORABI. IZPUŠNEGA SISTEMA SE NE DOTIKAJTE, DOKLER SE POVSEM NE OHLADI. **PRED NAMESTITVIJO POČAKAJTE, DA SE IZPUŠNI SISTEM IN MOTOR OHLADITA.**
- PREPRIČAJTE SE, DA JE MOTORNO KOLO **VARNO NAMEŠČENO, SAJ BI LAHKO V PRIMERU PREVRNITVE** POŠKODOVALO VAS ALI DRUGE, PRI ČEMER BI SE POŠKODOVALO TUDI MOTORNO KOLO.
- DELE, KI STE JIH PREJELI, PRIMERJAJTE S SEZNAMOM DELOV NA SPLETNI STRANI PODJETJA AKRAPOVIČ (UPORABITE KODO QR NA SPREDNJI STRANI ALI POIŠČITE SHEMATSKI PRIKAZ NA STRANI POSAMEZNEGA IZDELKA NA NASLOVU WWW.AKRAPOVIC.COM). PREPRIČAJTE SE, DA STE PREJELI **VSE DELE, KI JIH POTREBUJETE ZA NAMESTITEV** NOVEGA IZPUŠNEGA SISTEMA AKRAPOVIČ. ČE KATERI OD DELOV MANJKA, PRENEHAJTE Z ODSTRANITVIJO TOVARNIŠKEGA IZPUŠNEGA SISTEMA/NAMESTITVIJO IZPUŠNEGA SISTEMA AKRAPOVIČ IN SE OBRNITE NA TRGOVCA, PRI KATEREM STE KUPILI IZPUŠNI SISTEM AKRAPOVIČ.
- VEDNO **ZAGOTOVITE PRIMerno RAZDALJO MOTORNEGA KOLESA OD TAL.** NAPREDNIM UPORABNIKOM PRIPOROČAMO, DA PREVERIJO PREDHODNO NAPETOST VZMETI IN TAKO OPTIMIZIRAJO RAZDALJO OD TAL, KJER JE TO MOGOČE.
- VSAK DUŠILEC IMA SVOJO SERIJSKO ŠTEVILKO, KI POTRJUJE PRISTNOST IZDELKA. SERIJSKA ŠTEVILKA JE NAVEDENA NA VHODNI CEVI DUŠILCA. OGLEJTE SI SPODNJO SLIKO. PREPRIČAJTE SE, DA JE VAŠ IZPUŠNI SISTEM ORIGINALEN IZDELEK PODJETJA AKRAPOVIČ. V PRIMERU DVOMA SE OBRNITE NA PRODAJALCA, PRI KATEREM STE KUPILI IZPUŠNI SISTEM, ALI PARTNERJA PODJETJA AKRAPOVIČ. TA PRIROČNIK, VSI CERTIFIKATI IN GARANCIJA PODJETJA AKRAPOVIČ VELJAJO SAMO ZA ORIGINALNE IZDELKE.



POLOŽAJ SERIJSKE ŠTEVILKE

OPOZORILA GLEDE HRUPA IN IZPUSTOV

Splošno opozorilo

Zaradi globalne distribucije izdelkov podjetja Akrapovič d.d. niti podjetje Akrapovič d.d. niti nobena njegova podružnica ne jamčijo, da je izpušni sistem skladen z zakonodajo na področju emisij v zrak in emisij hrupa oz. zakonodajo o označevanju v vseh državah. Informacije o veljavni zakonodaji, ki ureja uporabo izdelka, mora kupec pridobiti samostojno, prav tako pa mora zagotoviti tudi skladnost s to zakonodajo.

Čeprav so za ugotavljanje skladnosti izdelkov podjetja Akrapovič z zakonodajo v določeni državi odgovorni uporabniki, lahko nekaj osnovnih informacij glede skladnosti izpušnega sistema Akrapovič z različnimi pravnimi zahtevami najdete v razdelkih na naši spletni strani, ki se nanašajo na vaš izdelek (uporabite kodo QR na sprednji strani ali pa poiščite stran določenega izdelka na naslovu www.akrapovic.com). Za homologaciji ES in EGS si oglejte certifikat, ki je priložen izdelku.

OPOZORILO ZA ZDA

Različne zvezne države in zvezni organi ZDA uveljavljajo specifično zakonodajo, ki ureja uporabo izpušnih sistemov in delov, naprodaj kot dodatna oprema, zlasti ko gre za dele ali sisteme, ki predvidevajo spreminjanje, odstranitev ali zamenjavo originalnih katalizatorjev. Pred nameščanjem delov ali sistemov, ki so naprodaj kot dodatna oprema, na svoje vozilo si oglejte ustrezno zakonodajo, ki velja na vašem območju, in tako zagotovite skladnost z vsjo veljavno zakonodajo. Podjetje Akrapovič d.d. in nobena od njegovih podružnic ali prodajalcev delov ali sistemov ne zagotavljajo, da so njihovi deli ali sistemi skladni s takšno zakonodajo.

OPOZORILO ZA KALIFORNIJO

Kalifornijska zakonodaja prepoveduje uporabo vsakršnih izpušnih sistemov ali njihovih delov, naprodaj kot dodatna oprema, ki predvidevajo spreminjanje, odstranjevanje ali zamenjavo originalnih katalizatorjev, razen če je odbor CARB (California Air Resources Board) izdal odredbo, ki dovoljuje uporabo takšnega dela ali sistema ali pa se takšnem del ali sistem uporablja samo na dirkalnih vozilih na zaprtih progah. Podjetje Akrapovič d.d. in njegove podružnice ne zagotavljajo, da njihove dele ali sisteme ureja takšna odredba ali da so skladni z dovoljenjem za uporabo na dirkalnih vozilih. Informacije o veljavni kalifornijski zakonodaji mora kupec pridobiti samostojno, prav tako pa mora zagotoviti skladnost s to zakonodajo.

SPLOŠNA OPOMBA

Fotografije in ilustracije v tem priročniku so zgolj simbolične in so namenjene jasnejšemu prikazu posameznih korakov namestitve in uporabe izpušnega sistema ter splošnemu pregledu. Dejanske komponente izpušnega sistema Akrapovič morda niso povsem enake, kot je prikazano na fotografijah ali drugih slikah.

SIMBOLI

V teh navodilih za namestitev so uporabljeni naslednji simboli:



**POTREBNA ORODJA IN
ZAŠČITNA OPREMA**



ZATEZNI MOMENT



MAZANJE



ROČNA PRITRDITEV



NASVET ZA NAMESTITEV



POZOR ALI POMEMBNO

UPORABITE SREDSTVO PROTI ODVITJU VIJAKOV



Na očiščene in razmaščene navoje vijakov pred privijanjem nanesite 3 do 4 kapljice sredstva proti odvitju vijakov.

OPOZORILO! Preprečite stik s kožo, očmi in sluznicami. Ne vdihavajte hlapov. Hranite zunaj dosega otrok.



UPORABITE BAKRENO PASTO ZA ZAŠČITO PRED KOROZIJO BREZ SVINCA (črna tuba)

Pasta je namenjena preprosti in dolgotrajni zaščiti pred sprijemanjem, korozijo in rjavenjem vijakov, navojev, matic, spojev itd. Poleg tega štiti pred tresljaji, obrabo in udarci.

OPOZORILO! Preprečite stik z očmi. Hranite zunaj dosega otrok.

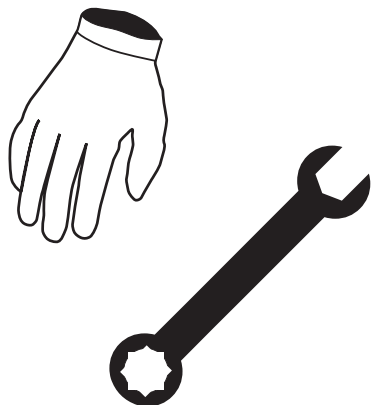


UPORABITE MAST ZA ZAŠČITO PRED KOROZIJO (bela tuba)

Namenjena je preprečevanju sprijemanja, rjavenja in prekomerne obrabe sestavnih delov izpušnega sistema iz titana.

OPOZORILO! Preprečite stik z očmi. Hranite zunaj dosega otrok.

Orodje in oprema



- Ključ 8 mm z ročajem T
- Ključ 10 mm z ročajem T
- Ključ 12 mm z ročajem T
- Ključ torx 45 z ročajem T
- Orodje za namestitev in odstranitev vzmeti

SEZNAM DELOV

V škatli morajo biti naslednji deli:

- Priročnik za namestitev
- Potrdilo o homologaciji/dokumentacija za ugotavljanje skladnosti, če se uporablja
- Garancija
- Material za namestitev
- Dušilec in cevi

Podroben seznam delov je na voljo na spletni strani podjetja Akrapovič (uporabite kodo QR na sprednji strani ali poiščite shematski prikaz na strani posameznega izdelka na naslovu www.akrapovic.com).

ODSTRANJEVANJE TOVARNIŠKEGA IZPUŠNEGA SISTEMA:

Postopek odstranjevanja originalnega izpušnega sistema se lahko med izpušnimi sistemi razlikuje. Originalni izpušni sistem odstranite skladno z navodili proizvajalca.

Če se iz kakršnega koli razloga odločite drugače, upoštevajte, da je treba vsakršne informacije v tem priročniku obravnavati kot splošne informacije, ki so vam zgolj v pomoč. Podjetje Akrapovič ne prevzema nobene odgovornosti v povezavi z odstranitvijo obstoječega izpušnega sistema, garancijskim kritjem takšnega izpušnega sistema ali vozila ali njuno nadaljnjo primernostjo za uporabo.

Če vašega izpušnega sistema Akrapovič ni dovoljeno uporabljati na določenih cestah ali v določenih razmerah, obdržite tovarniški ali drug izpušni sistem, ki ga boste lahko v takšnih okoliščinah zakonito uporabljali.

ODSTRANJEVANJE TOVARNIŠKEGA IZPUŠNEGA SISTEMA:

1. Motorno kolo postavite na sredinsko dirkalno stojalo. Prepričajte se, da je podlaga trdna in ravna.
2. Odvijte označene vijake in odstranite desno stransko ploščo (**F 01**).
! POMEMBNO: pazite, da med tem postopkom ne boste poškodovali katerega koli dela motornega kolesa.
3. Sprostite označeno objemko in odvijte vijak z nosilca povezovalne cevi (**F 02**).
! POMEMBNO: pazite, da med tem postopkom ne boste poškodovali katerega koli dela motornega kolesa.
4. Odvijte vijak na nosilcu dušilca in previdno odstranite dušilec z motornega kolesa (**F 03**).
! POMEMBNO: med tem postopkom podprite dušilec.
! POZOR: pazite, da med tem postopkom ne boste poškodovali sebe ali katerega koli dela motornega kolesa.
5. Odvijte označeni matici in previdno odstranite tovarniško cev izhoda kolektorja z motornega kolesa (**F 04**).
! POMEMBNO: pazite, da med tem postopkom ne boste poškodovali katerega koli dela motornega kolesa.

NAMESTITEV IZPUŠNEGA SISTEMA AKRAPOVIČ:

1. Sestavite ovoj, prirobnico in vzmeti, kot je prikazano (F 05).
2. Namestite sestavljeni ovoj s prirobnico in vzmetmi na motorno kolo ter z roko privijte označeni tovarniški matici (F 06).

! **POMEMBNO:** matic še ne privijte do konca.

✂ **NASVET ZA NAMESTITEV:** uporabite novo tesnilo za izpušno odprtino.

3. Namestite toplotno zaščito iz karbonskih vlaken na cev izhoda kolektorja z vijaki in toplotno odpornimi podložkami Akrapovič (F 07, 08).

✂ **NASVET ZA NAMESTITEV:** toplotno odporne podložke na vijake privijte; ne potiskajte jih nanje s silo.

! **POMEMBNO:** večje toplotno odporne podložke namestite med cev izhoda kolektorja in toplotno zaščito iz karbonskih vlaken, manjše podložke pa med glave vijakov in toplotno zaščito.

4. Vstavite cev izhoda kolektorja v ovoj, pritrдите vzmeti in privijte matice s predpisanim zateznim momentom (F 09).

! **POMEMBNO:** preden pritrđite matice, se prepričajte, da so vzmeti cev izhoda kolektorja povlekle povsem v ovoj – po potrebi jo udarite s kladivom z gumijasto glavo, da bo pravilno nameščena.

5. Namestite objemko iz kompleta pritrđilnega materiala Akrapovič na vhodno cev dušilca, kot je prikazano (F 10).

6. Namestite aluminijaste puše v gumijasti nosilec dušilca, kot je prikazano (F 11, 12).

7. Previdno potisnite dušilec na izhodno stran cevi izhoda kolektorja. Z roko privijte objemko, nosilec dušilca (s tovarniškim vijakom in podložko iz kompleta pritrđilnega materiala Akrapovič), vijak na nosilcu povezovalne cevi (s tovarniškim vijakom) in pritrđite daljšo vzmet iz kompleta pritrđilnega materiala Akrapovič, kot je prikazano (F 13).

! **POMEMBNO:** vijakov zaenkrat še ne privijte do konca.

! **POMEMBNO:** pazite, da med tem postopkom ne boste poškodovali katerega koli dela motornega kolesa.

8. Dušilec poravnajte z motornim kolesom ter privijte vijak na nosilcu dušilca, vijak na nosilcu povezovalne cevi in objemko s predpisanim zateznim momentom (F 14, 15).

9. Znova namestite ploščo na desni strani in privijte označene vijake s predpisanim zateznim momentom (F 16).

! **POMEMBNO:** pazite, da med tem postopkom ne boste poškodovali katerega koli dela motornega kolesa.

KONČNA NAMESTITEV IN VZDRŽEVANJE:

Z vseh površin izpušnega sistema po zaključku namestitve očistite vse mastne madeže. Če jih ne očistite, se bodo madeži vžgali v površino. Ne uporabljajte agresivnih čistil, saj lahko poškodujejo površino oz. nalepko.

1. Dušilec – zunanji ovoj iz titana: očistite ga z mehko krpo, ki jo navlažite z univerzalnim mazivom v razpršilu (WD-40 ali podobnim)*.
2. Dušilec – zunanji ovoj iz ogljikovih vlaken: očistite ga s suho mehko krpo, na katero ste nanесли večnamensko čistilo v peni, na koncu pa ga obrišite s suho in mehko krpo.
3. Dušilec – pokrov izpuha iz ogljikovih vlaken: očistite ga s suho mehko krpo, na katero ste nanесли večnamensko čistilo v peni, na koncu pa ga obrišite s suho in mehko krpo.
4. Pobarvani dušilci in deli – očistite z mehko krpo, na katero ste nanесли večnamensko čistilo v peni, na koncu obrišite s suho in mehko krpo.
5. Kromirani dušilci in deli: očistite z mehko krpo, na katero ste nanесли večnamensko čistilo v peni, na koncu obrišite s suho in mehko krpo.
6. Cevi iz nerjavnega jekla: očistite z mehko krpo, na katero ste nanесли čistilo za kontakte, na koncu obrišite s suho in mehko krpo.
7. Cevi iz titana: očistite jih z mehko krpo, ki jo navlažite z univerzalnim mazivom v razpršilu (WD-40 ali podobnim)*.

*WD-40® je blagovna znamka podjetja WD-40.

Občasno preverite, ali so vijaki trdno priviti in vzmeti trdno pričvrščene.



POMEMBNO: zagotovite, da so vsi vijaki ustrezno priviti. Če se izpušni sistem dotika okrova motorja ali katerega drugega dela, znova prilagodite izpušni sistem oz. se obrnite na pooblaščenega prodajalca.



POZOR: motor naj deluje 30 minut, nato pa znova privijte toplotno zaščito izpušnega sistema Akrapovič iz karbonskih vlaken.



NASVET ZA NAMESTITEV: POVSEM NORMALNO JE, DA IZ DUŠILCA PRVIH 100 KM PO ZAMENJAVI IZHAJA BEL DIM.



NASVET ZA NAMESTITEV: SPREMEMBA BARVE IZPUŠNEGA SISTEMA JE OBIČAJEN POJAV, KI NASTANE ZARADI VISOKIH TEMPERATUR.



POZOR: OB PRVI UPORABI NE STOJTE NEPOSREDNO ZA DUŠILCEM.



POMEMBNO: ZA ČIŠČENJE IZPUŠNIH SISTEMOV AKRAPOVIČ NE UPORABLJAJTE ČISTIL ZA AVTOMOBILSKA PLATIŠČA OZ. ČISTIL, KI VSEBUJEJO KISLINE.

UGOTAVLJANJE IN ODPRAVLJANJE TEŽAV:

Težava	Možen vzrok	Ukrep
Izpušni plin uhaja iz spojev, zatesnjenih z objemkami.	Premalo privita objemka	Objemko privijte skladno z navedenim zateznim momentom.
	Spoj ni pravilno sestavljen.	Spoj potisnite do konca skupaj, objemko pa privijte skladno z navedenim zateznim momentom.

