



**DBB 90** Pyramidal decorative hood with push buttons controls in 90 cm



**DESCRIPTION**

Pyramidal decorative hood with push buttons controls in 90 cm

**LIFE STYLE**

Easy

**COLOURS**



**REFERENCE**

EAN. 8421152069660



**TEKA**

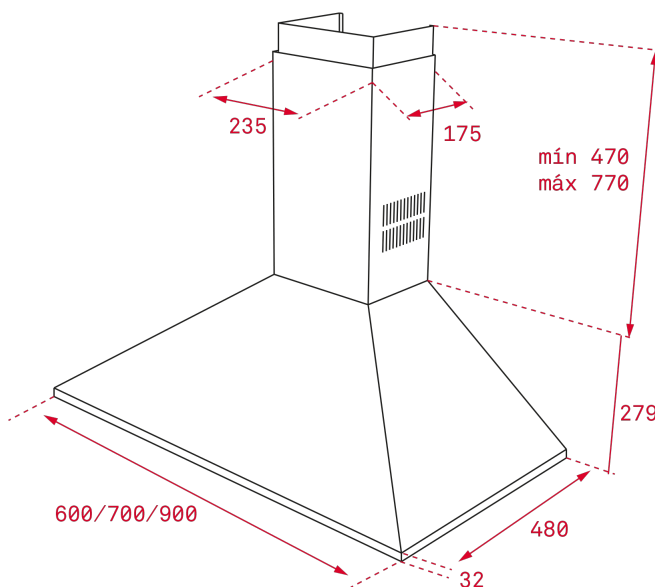
**DBB 90**

**FEATURES**

Pyramidal decorative hood  
Push buttons control panel  
Operating Pilot Light  
Conventional aspiration  
3 speeds  
Exhaust capacities:  
Free Outlet (m<sup>3</sup>/h): 475  
Max. (m<sup>3</sup>/h): 380  
Min. (m<sup>3</sup>/h): 234  
Noise (LwA) Max Speed 60 dB  
Noise (LwA) Min Speed 44 dB  
Incandescent Lamps  
3 aluminum filters

## DIMENSIONS

**Product height (mm):** 749-1049  
**Product width (mm):** 900  
**Product depth (mm):** 480  
**Product length (mm):**  
**Net weight (Kg):** 9,5



## TECH SPECS

### PARTICULAR CHARACTERISTICS

**Type of hood:** Pyramidal  
**Style:** Decoratives  
**Certificates:** CE; CB  
**Ø Outlet (mm):** 150  
**Type of inner light:** LED  
**Inside light Consumption (W):** 5  
**Plug type:** European plug  
**Power rate (V):** 220-240  
**Frequency (Hz):** 50/60  
**Total hood power (W):** 115  
**Number of motors:** 1  
**Motor power (W):** 105  
**Exhaust Capacity - Free Outlet (m3/h):** 475

**EU REGULATION NO. 65/2014  
&66/2104**

**Annual energy consumption AEC kWh/annum (kWh):** 62,3  
**Energy Efficiency Class:** D  
**Fluid Dynamic Efficiency (FDEhood):** 6,9  
**Fluid Dynamic Efficiency class:** F  
**Light Efficiency (Lehood) lux/Watt:** 5,9  
**Lighting Efficiency class:** F

**Grease Filtering Efficiency class:** D  
**Air flow (Qmin) m<sup>3</sup>/h:** 234  
**Air flow (Qmax):** 380  
**Noise (LwA) Min Speed (dB):** 44  
**Noise (LwA) Max Speed (dB):** 60  
**Energy Efficiency Index (EEI):** 93,3  
**Time increase factor:** 1,8  
**Electric power input at best efficiency point (Wbep) W:** 83,7  
**Nominal power of the lighting system (WL) W:** 10  
**Average illumination of the lighting system on the cooking surface (Emiddle) Lux:** 59

## **ACCESSORIES**

**Anti Return valve:** Yes  
**Outlet reduction:** Yes  
**Optional Charcoal Filter:** D4C  
**Charcoal filter description:** CHARCOAL FILTER D4C  
**Conventional recirculation kit (with tube cover):** 40490146

## **MODELS**

**Number of filters:** 3  
**Filter description:** Aluminium  
**Control panel:** Rectangular Push Buttons  
**Number of speeds:** 3



DBB 90

ENERGY LABEL

