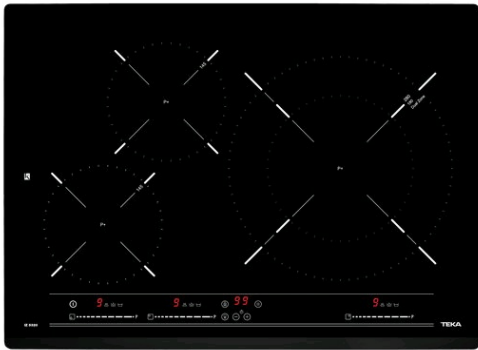




# IZ 5320 Induction hob with 3 zones and MultiSlider Touch Control in 60 cm



MultiSlider



Autolock



Power



Power Plus



Easy installation

## DESCRIPTION

Induction hob with 3 zones and MultiSlider Touch Control in 60 cm

## LIFE STYLE

Total

## COLOURS



## REFERENCE

EAN. 8421152155721

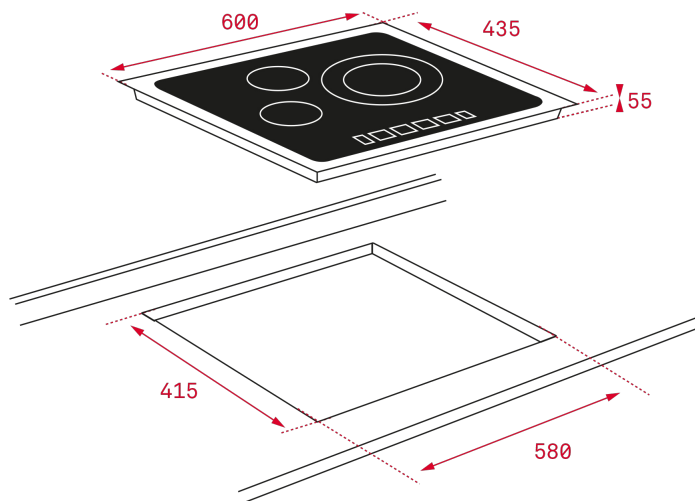


TEKA

IZ 5320

## FEATURES

Induction hob  
Touch Control Multislider  
Cooking timer  
3 cooking zones:  
- 1 induction Ø145 mm  
- 1 induction Ø145 mm  
- 1 induction Ø180 / 280 mm  
Special cooking functions: simmering, melting and KeepWarm  
Power Plus function  
Stop & Go function  
Silence mode  
Residual heat indicator  
Maximum rated power: 7.300 W



## DIMENSIONS

**Product height (mm):** 55  
**Product width (mm):** 600  
**Product depth (mm):** 435  
**Product length (mm):**  
**Net weight (Kg):** 8,00

## TECH SPECS

### PARTICULAR CHARACTERISTICS

**Number of electric power levels:** 9  
**Simmering:** Yes  
**Melting:** Yes  
**Keeping warm:** Yes  
**Power management function:** Yes

### ELECTRIC CONNECTION

**Frequency (Hz):** 50/60  
**Power rate (V):** 220-240  
**Cable Connection Length (cm):** 110  
**Maximum Nominal Power (W) (Electric hob):** 7300

### COOKING ZONES

**Cooking Zones:** 3  
**Left rear cooking zone - Diameter (mm):** 145  
**Left rear cooking zone - Type:** Single Zone  
**Left front cooking zone - Diameter (mm):** 145  
**Left front cooking zone - Type:** Single Zone  
**Right center cooking zone - Diameter (mm):** 180 / 280  
**Right center cooking zone - Type:** Double Zone

## **SECURITY SYSTEM**

**Residual heat indicator (Gas):** Yes

**Residual heat indicator (Electric hob):** Yes

**Automatic safety disconnection (Auto Lock) (Electric hob):** Yes

**Safety Blocking:** Yes

**Child lock:** Yes

## **FINISH**

**Surface finishing:** Front bevelled glass

**Surface type:** Ceramic Glass (4mm)

**Easy installation system:** Yes

