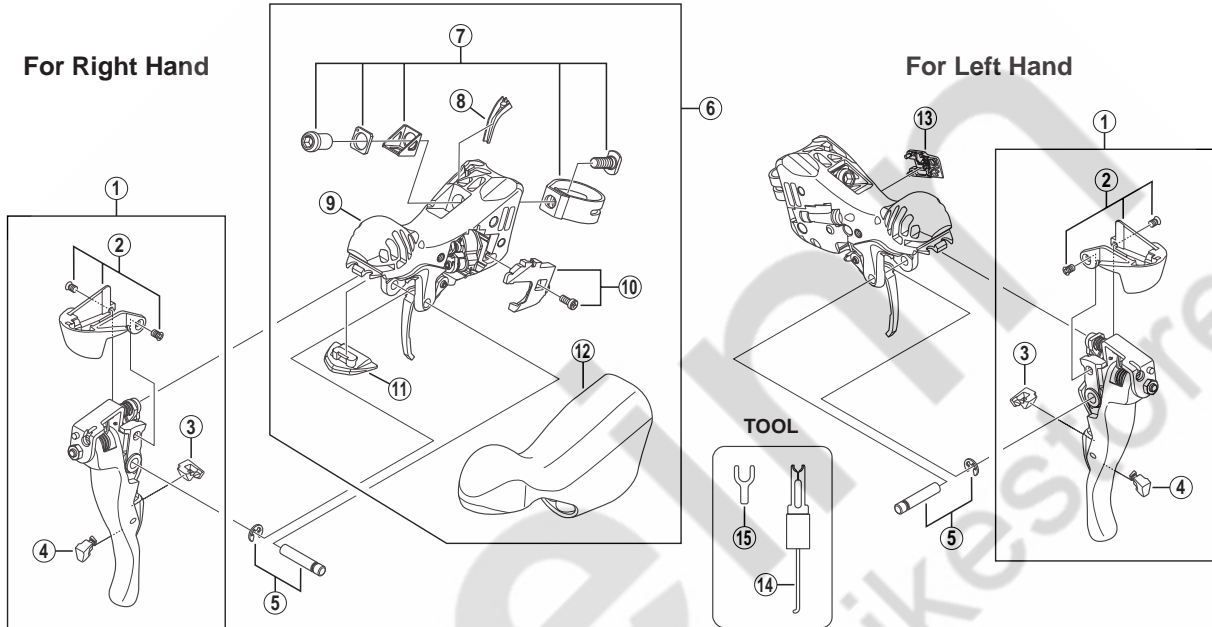


SHIMANO 105 Dual Control Lever

ST-5700-S Silver Version

ST-5700-L Black Version



ITEM NO.	SHIMANO CODE NO.	DESCRIPTION	INTERCHANGEABILITY
1	Y6TH98010	R.H. Main Lever Assembly (Silver) for ST-5700-S	
	Y6TH98020	R.H. Main Lever Assembly (Black) for ST-5700-L	
	Y6TH98030	L.H. Main Lever Assembly (Silver) for ST-5700-S	
	Y6TH98040	L.H. Main Lever Assembly (Black) for ST-5700-L	
2	Y6TH98050	R.H. Name Plate & Fixing Screws	
	Y6TH98060	L.H. Name Plate & Fixing Screws	
3	Y6TH02000	R.H. Main Lever Support	
	Y6TJ52000	L.H. Main Lever Support	
4	Y6RT37010	R.H. Release Lever Support	A
	Y6RU87010	L.H. Release Lever Support	A
5	Y6SC98070	Lever Axle & E-ring	A
6	Y6TH98070	R.H. Bracket Unit	
	Y6TH98080	L.H. Bracket Unit	
7	Y6SC98150	Clamp Band Unit (ø23.8 mm - ø24.2 mm)	A
8	Y6TH14000	R.H. SL Cable Guide	
	Y6SD66000	L.H. SL Cable Guide	A
9	Y6TH98090	R.H. Bracket	
	Y6TH98100	L.H. Bracket	
10	Y6TH98110	Unit Cover & Fixing Screw	
11	Y6SC76000	R.H. Adjustment Block (5 mm)	A
	Y6SC76010	L.H. Adjustment Block (5 mm)	A
	Y6SC75000	R.H. Adjustment Block (10 mm)	A
	Y6SC75010	L.H. Adjustment Block (10 mm)	A
12	Y6TH98120	Bracket Covers (Pair)	
13	Y6RU54000	L.H. SL Cable Cover	A
14	Y6RT68000	Tool A for E-ring	A
15	Y6RT66000	Tool B for E-ring	A

A: Same parts.

B: Parts are usable, but differ in materials, appearance, finish, size, etc.

Absence of mark indicates non-interchangeability.

ST-5700

Jan.-2010-2998

© Shimano Inc. I

Specifications are subject to change without notice.

SHIMANO