

# PRODUCT INFO

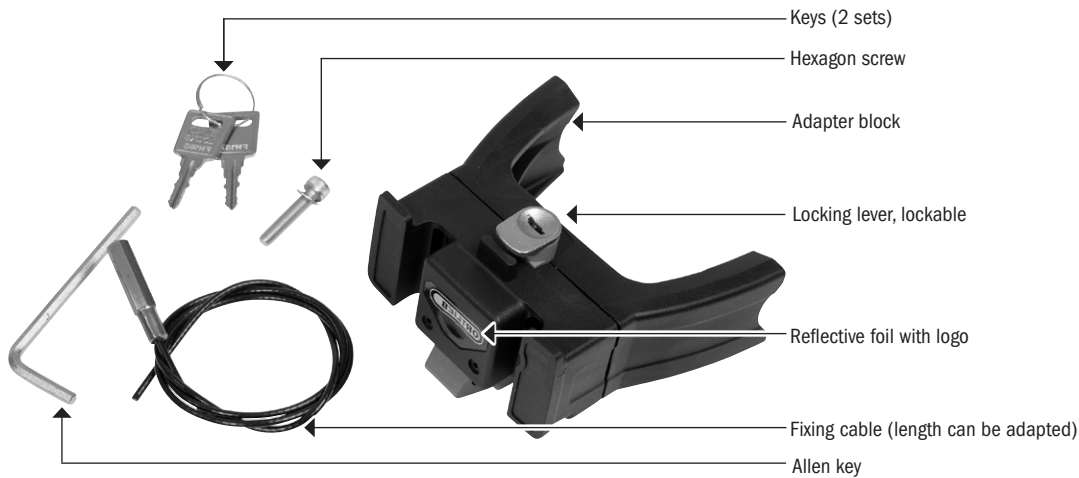


## MOUNTING SET E-BIKE

E-Bike adapter for handlebar bags and baskets



Please find information on IP symbols on our info sheet or at [www.ortlieb.com/ip-symbols](http://www.ortlieb.com/ip-symbols)



weight g/oz

150/5.3

## SPECIFICATIONS:

- + Lockable adapter for mounting ORTLIEB handlebar bags or baskets in combination with E-bike displays
- + Broad adapter allows mounting with known easy cable fixing
- + 2 sets of keys which can also be ordered if serial number is available
- + Mounting fits to all handlebars with diameter up to max. 31.8 mm
- + Compatible with the mounting set KLiCKfix by Rixen & Kaul
- + Compatible with the VRO extension by Syntace
- + Simple and fast mounting with only one cable
- + Handlebar bag can be locked to handlebar
- + A reflective foil on the front of adapter ensures more safety when cycling in the dark without the handlebar bag
- + Maximum load capacity 5 kg/ 176 oz.

**Contents:** adapter block (article code E207), lockable mounting with 2 sets of keys, cable with attachment hexagon key, mounting instructions

**Note:** Do not use with carbon handlebars!

**Note:** Keep key number in a safe place in case you need to reorder keys