

PRODUCT INFO

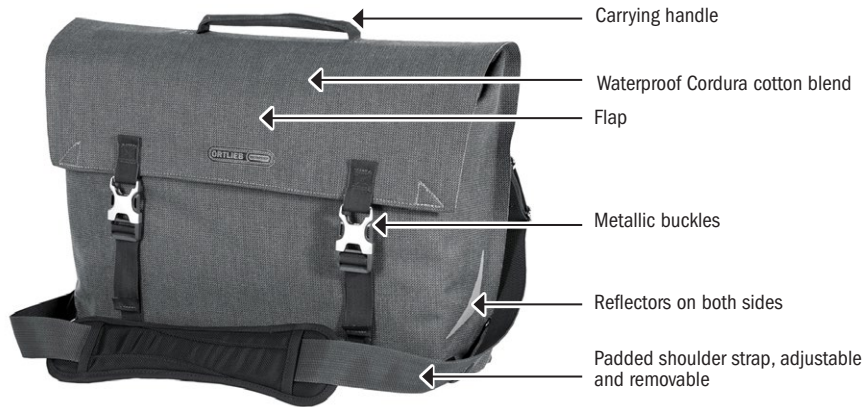


COMMUTER-BAG QL3.1

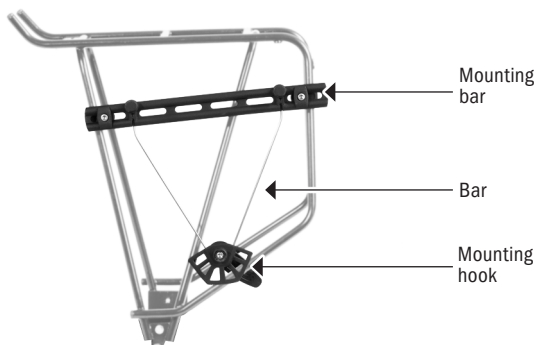
Bike briefcase with flap



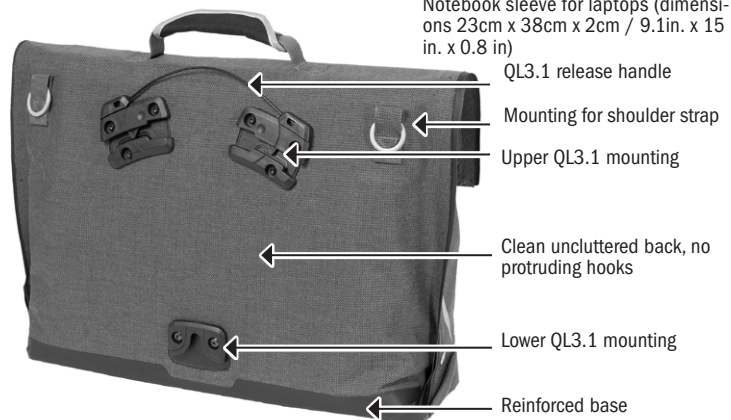
VSF.all-ride seal of quality 2016-2019



Notebook sleeve for laptops (dimensions 23cm x 38cm x 2cm / 9.1in. x 15 in. x 0.8 in)



QL3/QL3.1 mounting components (incl.)



Dimensions	Size	height cm/in	width cm/in	depth cm/in	volume L/cu.in.	weight g/oz
external	M	33/13	40/15.7	10/3.9	14/854	1000/35.3
	L	33/13	40/15.7	15/5.9	19/1159	1100/38.8
laptop sleeve	M	23/9.1	38/15	2/0.8		
	L	23/9.1	38/15	2/0.8		

SPECIFICATIONS:

- + Modern bike briefcase in two sizes with flap
- + Sturdy soft-touch PU-laminated Cordura cotton blend
- + Reinforced base
- + With QL3.1 mounting system
- + Single handed mounting and release of bag
- + Mounting components are fixed to rack
- + Flat mounting elements ensure smooth uncluttered back of bag
- + Height and inclination of bag can be adjusted individually
- + Lower hook rotatable of mounting set
- + Main compartment is closed with buckles
- + Zippered outer pocket (not waterproof)
- + Organizer with pen holder and key chain
- + Padded sleeve for laptop or mobile end devices
- + Removable shoulder strap with snap hook
- + Carrying handle
- + Two highly reflective 3M Scotchlite reflectors

Contents: Bag comes with shoulder strap and QL3.1 mounting components

Attention: Remove or stow away shoulder strap prior to biking

Optional accessories: QL3.1 mounting brackets for racks with diameter 12 to 14 mm; Notebook Sleeve 10", 13,3" or 15,4"

Attention: Maximum load per bag or per side of carrier is 9 kg / 20 lbs. As the admissible load of carriers differ, note the maximum admissible load - (information is normally found on the carrier) - do not exceed the carrier load limit. We recommend to check-weigh packed bags before riding - reduce the load if necessary. This applies to rear and front carriers and also to lowriders mounted on the fork. Note that the use of bike panniers will significantly influence the riding properties of your bike.

Note: For reaching protection standard IP53 (5=dust protected, 3=protected against splash water coming 60° to the vertical) the roll closure must be entirely closed.