

**TECH  
BOOK**  
TWO  
THOUS  
AND  
18



# WHEELS ROAD PERFORMANCE

Model	Rim				Hub													Spoke				Technical data													
					Axle system						Free wheel	Free hub body			Disc mount																				
Product name	Built-in width [mm]	Rim dimension	Rim inner width [mm]	Rim outer width [mm]	Rim height [mm]	Material Carbon	Material Aluminum	5/100 mm RWS / Quick release	9/100 mm Thru bolt	12/100 mm RWS Road	15/100 mm Thru axle	5/130 mm RWS / Quick release	5/135 mm RWS / Quick release	10/135 mm Thru bolt	12/135 mm Thru axle	12/142 mm Thru axle	Bolt on 100 mm FW / 120 mm RW	DT Swiss Ratchet System	Pawl system	Shimano Road 9/10 and Sram Road 9/10	Shimano Road 11	Campagnolo 9/10/11	Sram XD (11)	Track	Center Lock	IS (6-bolt)	No. of spokes	Type Left	Type Right	Length Left [mm]	Length Right [mm]	Lacing	ASTM classification	Axle clamping force (min./max.) 4000N / 8000N	Recommended system weight max. [kg]
PRC 1400 SPLINE® db 65	100	622 x 18	18	24.8	65	●		●	○	●	○																24	DT aerolite®	DT aerolite®	264	266	2-cross	1	●	110
	142	622 x 18	18	24.8	65	●						●	○	○	●						●	○	○				24	DT aerolite®	DT aero comp®	266	262	2-cross	1	●	110
PRC 1400 SPLINE® 65	100	622 x 18	18	24.8	65	●		●																			20	DT aerolite®	DT aerolite®	253	253	radial	1	●	100
	130	622 x 18	18	24.8	65	●						●									●	○	○				24	DT aerolite®	DT aero comp®	265	261	2-cross	1	●	100
PRC 1400 SPLINE® db 35	100	622 x 18	18	24.8	35	●		●	○	●	○																24	DT aerolite®	DT aerolite®	293	295	2-cross	1	●	110
	142	622 x 18	18	24.8	35	●						●	○	○	●						●	○	○				24	DT aero comp®	DT aero comp®	295	291	2-cross	1	●	110
PRC 1400 SPLINE® 35	100	622 x 18	18	24.8	35	●		●													●	○	○				20	DT aerolite®	DT aerolite®	282	282	radial	1	●	100
	130	622 x 18	18	24.8	35	●						●									●	○	○				24	DT aero comp®	DT aero comp®	295	290	2-cross	1	●	100
PR 1400 DICUT® OXiC	100	622 x 18	18	21.5	21		●	●																			20	DT aero comp®	DT aero comp®	284	284	radial	1	●	120
	130	622 x 18	18	21.5	21		●					●									●	○	○				24	DT aero comp®	DT aero comp®	286	279	2-cross	1	●	120
PR 1400 DICUT® db 21	100	622 x 18	18	22	21		●	○	●	○																	24	DT aerolite®	DT aerolite®	289	295	2-cross	1	●	120
	142	622 x 18	18	22	21		●					●	○	○	●						●	○	○				24	DT aero comp®	DT aero comp®	290	289	2-cross	1	●	120
PR 1400 DICUT® 21	100	622 x 18	18	21.5	21		●	●																			20	DT aerolite®	DT aerolite®	284	284	radial	1	●	120
	130	622 x 18	18	21.5	21		●					●									●	○	○				24	DT aerolite®	DT aero comp®	286	279	2-cross	1	●	120

● = Standard  
 ● = Convertible with included accessories  
 ○ = Option, sold separately

# WHEELS ROAD PERFORMANCE

Model	Rim					Hub													Spoke				Technical data																
	Built-in width [mm]	Rim dimension	Rim inner width [mm]	Rim outer width [mm]	Rim height [mm]	Material Carbon	Material Aluminum	Axle system							Free wheel	Free hub body			Disc mount	No. of spokes	Type Left	Type Right	Length Left [mm]	Length Right [mm]	Lacing	ASTM classification	Axle clamping force (min./max.) 4000N / 8000N	Recommended system weight max. [kg]											
PR 1600 DICUT® db 21	100	622 x 18	18	22	21	●	○	○	●	○																		24	DT aerolite®	DT aerolite®	289	295	2-cross	1	●	120			
	142	622 x 18	18	22	21	●																							24	DT aero comp®	DT aero comp®	290	289	2-cross	1	●	120		
PR 1600 DICUT® 21	100	622 x 18	18	21.5	21	●	●																						20	DT aerolite®	DT aerolite®	284	284	radial	1	●	120		
	130	622 x 18	18	21.5	21	●																								24	DT aerolite®	DT aero comp®	286	279	2-cross	1	●	120	
PR 1600 SPLINE® db 23	100	622 x 18	18	22	23	●	○	○	●	○																				24	DT aero comp®	DT aero comp®	296	298	2-cross	1	●	120	
	142	622 x 18	18	22	23	●																								24	DT aero comp®	DT new aero®	298	294	2-cross	1	●	120	
PR 1600 SPLINE® 23	100	622 x 18	18	23	23	●	●																							20	DT aero comp®	DT aero comp®	288	288	radial	1	●	120	
	130	622 x 18	18	23	23	●																								24	DT aero comp®	DT new aero®	297	295	2-cross	1	●	120	
PR 1600 SPLINE® db 32	100	622 x 18	18	21	32	●	○	○	●	○																				24	DT aero comp®	DT aero comp®	288	290	2-cross	2	●	130	
	142	622 x 18	18	21	32	●																								24	DT aero comp®	DT new aero®	289	285	2-cross	2	●	130	
PR 1600 SPLINE® 32	100	622 x 18	18	21.5	32	●	●																							20	DT aero comp®	DT aero comp®	279	279	radial	2	●	130	
	130	622 x 18	18	21.5	32	●																								24	DT aero comp®	DT new aero®	289	287	2-cross	2	●	130	
P 1800 SPLINE® db 23	100	622 x 18	18	22	23	●	○	○	●	○																					24	DT new aero®	DT aero comp®	296	297	2-cross	1	●	120
	142	622 x 18	18	22	23	●																									24	DT aero comp®	DT new aero®	297	296	2-cross	1	●	120
P 1800 SPLINE® 23	100	622 x 18	18	23	23	●	●																								20	DT aero comp®	DT aero comp®	288	288	radial	1	●	120
	130	622 x 18	18	23	23	●																									24	DT aero comp®	DT new aero®	297	295	2-cross	1	●	120
P 1800 SPLINE® db 32	100	622 x 18	18	21	32	●	○	○	●	○																					24	DT new aero®	DT aero comp®	289	290	2-cross	2	●	130
	142	622 x 18	18	21	32	●																									24	DT aero comp®	DT new aero®	289	288	2-cross	2	●	130

● = Standard  
 ○ = Convertible  
 with included accessories  
 ○ = Option, sold separately







# WHEELS MTB CROSS COUNTRY

Model	Rim				Hub												Spokes				Technical data																										
					Axle system						Free wheel	Free hub body	Disc mount																																		
Product name	Built-in width [mm]	Rim dimension	Rim inner width [mm]	Rim outer width [mm]	Rim height [mm]	Material Carbon	Material Aluminum	5 / 100 mm RWS / Quick release	15 / 100 mm Thru axle	15 / 110 mm Thru axle PS <sup>1)</sup>	15 / 110 mm Thru axle Boost	15 / 150 mm Thru axle	20 / 110 mm Thru axle	5 / 135 mm RWS / Quick release	12 / 142 mm Thru axle	12 / 148 mm Thru axle Boost	12 / 150 mm Thru axle	12 / 190 mm Thru axle	12 / 197 mm Thru axle	DT Swiss Ratchet System	Pawl system	Shimano MTB 9 / 10 / 11 and Sram MTB 9 / 10	Sram MTB XD 11 / 12	Center Lock	IS (6-bolt)	No. of spokes	Type Left	Type Right	Length Left [mm]	Length Right [mm]	Lacing	ASTM classification	Axle clamping force (min. / max.) 4000N / 8000N	Recommended system weight max. [kg]													
<b>XRC 1200 SPLINE®</b> 22.5 mm 27.5    29	100	584 x 22.5	22.5	28	24	●		○	●																		24	DT aero comp®	DT aero comp®	275	276	2-cross	2	●	110												
	110								●																																276	277					
	142									●																																					
	148																		○	●										●																	
	148																					●														○	●	○									
<b>XRC 1200 SPLINE®</b> 25 mm 29	100	622 x 22.5	22.5	28	24	●		○	●																		28	DT aero comp®	DT aerolite®	300	300	3-cross	2	●	110												
	110								●																																						
	110									●																																					
	142																		○	●																											
	148																				●																										
<b>XRC 1200 SPLINE®</b> 25 mm 29	100	622 x 25	25	31	25	●		○	●																	28	DT aerolite®	DT aerolite®	300	300	3-cross	2	●	110													
	110								●																																						
	110									●																																					
	142																		○	●																											
	148																				●																										

● = Standard  
 ○ = Convertible with included accessories  
 ○ = Option, sold separately  
<sup>1)</sup> Predictive Steering for RS-1  
 \* 36T SL



# WHEELS MTB CROSS COUNTRY

Model	Rim		Hub													Spokes				Technical data																				
			Axle system										Free wheel	Free hub body	Disc mount	No. of spokes	Type Left	Type Right	Length Left (mm)	Length Right (mm)	Lacing	ASTM classification	Axle clamping force (min./max.) 4000N / 8000N	Recommended system weight max. [kg]																
Product name	Built-in width [mm]	Rim dimension	Rim inner width [mm]	Rim outer width [mm]	Rim height [mm]	Material Carbon	Material Aluminum	5 / 100 mm RWS / Quick release	15 / 100 mm Thru axle	15 / 110 mm Thru axle PS <sup>1)</sup>	15 / 110 mm Thru axle Boost	15 / 150 mm Thru axle	20 / 110 mm Thru axle	5 / 135 mm RWS / Quick release	12 / 142 mm Thru axle		12 / 148 mm Thru axle Boost	12 / 150 mm Thru axle	12 / 190 mm Thru axle	12 / 197 mm Thru axle	DT Swiss Ratchet System	Pawl system	Shimano MTB 9 / 10 / 11 and Sram MTB 9 / 10	Sram MTB XD 11 / 12	Center Lock	IS (6-bolt)	Type Left	Type Right	Length Left (mm)	Length Right (mm)	Lacing	ASTM classification	Axle clamping force (min./max.) 4000N / 8000N	Recommended system weight max. [kg]						
<b>XR 1501 SPLINE® ONE</b> 22.5 mm 27.5    29	100	584 x 22.5	22.5	26	18	●		○	●																●	○									28	DT competition®	DT competition®	287	287	3-cross
	110								●																					●		288	288							
	110									●																				●	○	288	288							
	142																		○	●							●		●	○	○	288	287							
	148																				●						●		●	○	○	288	287							
<b>XR 1501 SPLINE® ONE</b> 25 mm 27.5    29	100	622 x 22.5	22.5	26	18	●		○	●																●	○	28	DT competition®	DT competition®	306	306	3-cross	2	●	110					
	110								●																												●		306	306
	110									●																											●	○	307	307
	142																		○	●										●						●	○	○	306	306
	148																				●									●						●	○	○	307	306
<b>XR 1501 SPLINE® ONE</b> 25 mm 27.5    29	100	584 x 25	25	29	18	●		○	●																●	○	28	DT competition®	DT competition®	287	287	3-cross	2	●	110					
	110								●																												●		288	287
	110									●																											●	○	288	288
	142																		○	●										●						●	○	○	287	287
	148																				●									●						●	○	○	287	287
<b>XR 1501 SPLINE® ONE</b> 25 mm 27.5    29	100	622 x 25	25	29	18	●		○	●																●	○	28	DT competition®	DT competition®	306	306	3-cross	2	●	110					
	110								●																												●		306	306
	110									●																											●	○	306	306
	142																		○	●										●						●	○	○	306	306
	148																				●									●						●	○	○	306	306

- = Standard
- = Convertible with included accessories
- = Option, sold separately

<sup>1)</sup> Predictive Steering for RS-1

\* 36T SL

# WHEELS MTB CROSS COUNTRY

Model	Rim		Hub										Spokes				Technical data																																								
			Axle system					Free wheel	Free hub body	Disc mount		No. of spokes	Type Left	Type Right	Length Left (mm)	Length Right (mm)	Lacing	ASTM classification	Recommended system weight max. [kg]																																						
Product name	Built-in width [mm]	Rim dimension	Rim inner width [mm]	Rim outer width [mm]	Rim height [mm]	Material Carbon	Material Aluminum	5 / 100 mm RWS / Quick release	15 / 100 mm Thru axle	15 / 110 mm Thru axle PS <sup>1)</sup>	15 / 110 mm Thru axle Boost		15 / 150 mm Thru axle	20 / 110 mm Thru axle	5 / 135 mm RWS / Quick release	12 / 142 mm Thru axle	12 / 148 mm Thru axle Boost	12 / 150 mm Thru axle	12 / 190 mm Thru axle	12 / 197 mm Thru axle	DT Swiss Ratchet System	Pawl system	Shimano MTB 9 / 10 / 11 and Sram MTB 9 / 10	Sram MTB XD 11 / 12	Center Lock	IS (6-bolt)	Type Left	Type Right	Length Left (mm)	Length Right (mm)	Lacing	ASTM classification	Recommended system weight max. [kg]																								
<b>X 1700 SPLINE®</b> 22.5 mm 27.5    29	100	584 x 22.5	22.5	27	18.5	●		○	●																																																
	110								●																																																
	110									●																																															
	142																			○	●							●	○	●	○	28	DT competition®	DT competition®	287	288	3-cross	2	●	110																	
	142																											○	●	●	○																										
	148																												●	○	●	○																									
	148																												○	●	●	○																									
	100							584 x 22.5	22.5	27	18.5	●		○	●																																										
	110															●																																									
	110																●																																								
	142																																		●	○					●	○	28	DT competition®	DT competition®	305	306	3-cross	2	●	110						
	142																																		○	●					●	○															
	148																																			●					○	●	○														
	148																																			○					●	●	○														
100	584 x 22.5	22.5	27	18.5	●		○							●																																											
110																																																									
110																																																									
142																												●	○	●	○	28	DT competition®	DT competition®	307	307	3-cross	2	●	110																	
142																						○	●	●	○																																
148																							●	○	●	○																															
148																							○	●	●	○																															

● = Standard  
 ● = Convertible  
 with included accessories  
 ○ = Option, sold separately  
<sup>1)</sup> Predictive Steering for RS-1



# WHEELS MTB ALL MOUNTAIN

Model	Rim		Hub													Spokes				Technical data																														
			Axle system										Free wheel	Free hub body	Disc mount	No. of spokes	Type Left	Type Right	Length Left (mm)	Length Right (mm)	Lacing	ASTM classification	Axle clamping force (min./max.) 4000N / 8000N	Recommended system weight max. [kg]																										
Product name	Built-in width [mm]	Rim dimension	Rim inner width [mm]	Rim outer width [mm]	Rim height [mm]	Material Carbon	Material Aluminum	5 / 100 mm RWS / Quick release	15 / 100 mm Thru axle	15 / 110 mm Thru axle PS <sup>1)</sup>	15 / 110 mm Thru axle Boost	15 / 150 mm Thru axle	20 / 110 mm Thru axle	5 / 135 mm RWS / Quick release	12 / 142 mm Thru axle		12 / 148 mm Thru axle Boost	12 / 150 mm Thru axle	12 / 190 mm Thru axle	12 / 197 mm Thru axle	DT Swiss Ratchet System	Pawl system	Shimano MTB 9 / 10 / 11 and Sram MTB 9 / 10	Sram MTB XD 11 / 12	Center Lock	IS (6-bolt)		Type Left	Type Right	Length Left (mm)	Length Right (mm)	Lacing	ASTM classification	Axle clamping force (min./max.) 4000N / 8000N	Recommended system weight max. [kg]															
<b>XMC 1200 SPLINE®</b> 30 mm 27.5    29	100	584 x 30	30	36	30	●		○	●																		28	DT aerolite®	DT aerolite®	276	276	3-cross	3	●	120															
	110																																																	
	142																																																	
	148																																																	
	100	622 x 30	30	36	30	●		○	●																		28	DT aerolite®	DT aerolite®	295	295	3-cross	3	●	120															
	110																																																	
	142																																																	
	148																																																	
<b>XM 1501 SPLINE® ONE</b> 25 mm 27.5    29	100	584 x 25	25	30	20	●		○	●																	28	DT competition®	DT competition®	284	284	3-cross	3	●	120																
	110																																																	
	142																																																	
	148																																																	
	100	622 x 25	25	30	20	●		○	●																	28	DT competition®	DT competition®	303	303	3-cross	3	●	120																
	110																																																	
	142																																																	
	148																																																	
<b>XM 1501 SPLINE® ONE</b> 30 mm 27.5    29	100	w584 x 30	30	35	21	●		○	●																28	DT competition®	DT competition®	284	284	3-cross	3	●	120																	
	110																																																	
	142																																																	
	148																																																	
	100	622 x 30	30	35	21	●		○	●																28	DT competition®	DT competition®	303	303	3-cross	3	●	120																	
	110																																																	
	142																																																	
	148																																																	

● = Standard  
 ○ = Convertible with included accessories  
 ○ = Option, sold separately  
<sup>1)</sup> Predictive Steering for RS-1

\* 36T SL

# WHEELS MTB ALL MOUNTAIN

Model	Rim		Hub											Spokes				Technical data																															
			Axle system						Free wheel	Free hub body	Disc mount	No. of spokes	Type Left	Type Right	Length Left (mm)	Length Right (mm)	Lacing	ASTM classification	Axle clamping force (min./max.) 4000N / 8000N	Recommended system weight max. [kg]																													
Product name	Built-in width [mm]	Rim dimension	Rim inner width [mm]	Rim outer width [mm]	Rim height [mm]	Material Carbon	Material Aluminum	5 / 100 mm RWS / Quick release	15 / 100 mm Thru axle	15 / 110 mm Thru axle PS <sup>1)</sup>	15 / 110 mm Thru axle Boost		15 / 150 mm Thru axle	20 / 110 mm Thru axle	5 / 135 mm RWS / Quick release	12 / 142 mm Thru axle	12 / 148 mm Thru axle Boost	12 / 150 mm Thru axle	12 / 190 mm Thru axle	12 / 197 mm Thru axle	DT Swiss Ratchet System	Pawl system	Shimano MTB 9 / 10 / 11 and Sram MTB 9 / 10	Sram MTB XD 11 / 12	Center Lock	IS (6-bolt)	Type Left	Type Right	Length Left (mm)	Length Right (mm)	Lacing	ASTM classification	Axle clamping force (min./max.) 4000N / 8000N	Recommended system weight max. [kg]															
<b>XM 1501 SPLINE® ONE</b> 35 mm 27.5	100	584 x 35	35	40	21	●		○	●																	28									DT competition®	DT competition®	284	284	3-cross	3	●	120							
	110								●																																								
	142																			○	●							●	○	●	○																		
	148																					●						●	○	●	○																		
<b>XM 1501 SPLINE® ONE</b> 40 mm 27.5	100	584 x 40	40	44	21	●		○	●																	28	DT competition®	DT competition®	284	284	3-cross	3	●	120															
	110								●																																								
	142																			○	●									●					○	●	○												
	148																					●								●					○	●	○												
<b>M 1700 SPLINE®</b> 25 mm 27.5    29	100	584 x 25	25	30	19.5	●		○	●																28	DT competition®	DT competition®	286	287	3-cross	3	●	120																
	110								●																																								
	142																			○	●													●	○	●	○												
	142																			○	●													○	●	○	●												
	148																					●												●	○	●	○												
	148																					●												○	●	○	●												
	100	622 x 25	25	30	19.5	●		○	●																28	DT competition®	DT competition®	304	305	3-cross	3	●	120																
	110								●																																								
	142																			○	●													●	○	●	○												
	142																			○	●													○	●	○	●												
	148																					●												●	○	●	○												
	148																					●												○	●	○	●												

- = Standard
- = Convertible with included accessories
- = Option, sold separately

<sup>1)</sup> Predictive Steering for RS-1

\* 36T SL









# WHEELS MTB ENDURO

Model	Rim		Hub										Spokes				Technical data																																														
			Axle system					Free wheel	Free hub body	Disc mount		No. of spokes	Type Left	Type Right	Length Left (mm)	Length Right (mm)	Lacing	ASTM classification	Axle clamping force (min./max.) 4000N / 8000N	Recommended system weight max. [kg]																																											
Product name	Built-in width [mm]	Rim dimension	Rim inner width [mm]	Rim outer width [mm]	Rim height [mm]	Material Carbon	Material Aluminum	5 / 100 mm RWS / Quick release	15 / 100 mm Thru axle	15 / 110 mm Thru axle PS <sup>1)</sup>	15 / 110 mm Thru axle Boost		15 / 150 mm Thru axle	20 / 110 mm Thru axle	5 / 135 mm RWS / Quick release	12 / 142 mm Thru axle	12 / 148 mm Thru axle Boost	12 / 150 mm Thru axle	12 / 190 mm Thru axle	12 / 197 mm Thru axle	DT Swiss Ratchet System	Pawl system	Shimano MTB 9 / 10 / 11 and Sram MTB 9 / 10	Sram MTB XD 11 / 12	Center Lock	IS (6-bolt)	28	DT competition®	DT competition®	286	287	3-cross	4	●	130																												
<b>E 1700 SPLINE®</b> 25 mm 27.5    29	100	584 x 25	25	30	20	●		○	●																					28	DT competition®					DT competition®	286	287	3-cross	4	●	130																					
	110																																																														
	142																																																														
	142																																																														
	148																																																														
	148																																																														
	100							622 x 25	25	30	20	●		○	●																						28	DT competition®					DT competition®	304	305	3-cross	4	●	130														
	110																																																														
	142																																																														
	142																																																														
148																																																															
148																																																															
<b>E 1700 SPLINE®</b> 30 mm 27.5    29	100	584 x 30	30	35	20	●		○	●																		28	DT competition®	DT competition®	285	286	3-cross	4	●	130																												
	110																																																														
	142																																																														
	142																																																														
	148																																																														
	148																																																														
	100							622 x 30	30	35	20	●		○	●																									28	DT competition®	DT competition®	304	305	3-cross	4	●	130															
	110																																																														
	142																																																														
	142																																																														
148																																																															
148																																																															

● = Standard  
 ○ = Convertible with included accessories  
 ○ = Option, sold separately

<sup>1)</sup> Predictive Steering for RS-1

# WHEELS MTB ENDURO

Model	Rim				Hub											Spokes				Technical data																													
					Axle system							Free wheel	Free hub body	Disc mount																																			
Product name	Built-in width [mm]	Rim dimension	Rim inner width [mm]	Rim outer width [mm]	Rim height [mm]	Material Carbon	Material Aluminum	5 / 100 mm RWS / Quick release	15 / 100 mm Thru axle	15 / 110 mm Thru axle PS <sup>1)</sup>	15 / 110 mm Thru axle Boost	15 / 150 mm Thru axle	20 / 110 mm Thru axle	5 / 135 mm RWS / Quick release	12 / 142 mm Thru axle	12 / 148 mm Thru axle Boost	12 / 150 mm Thru axle	12 / 190 mm Thru axle	12 / 197 mm Thru axle	DT Swiss Ratchet System	Pawl system	Shimano MTB 9 / 10 / 11 and Sram MTB 9 / 10	Sram MTB XD 11 / 12	Center Lock	IS (6-bolt)	No. of spokes	Type Left	Type Right	Length Left [mm]	Length Right [mm]	Lacing	ASTM classification	Axle clamping force (min. / max.) 4000N / 8000N	Recommended system weight max. [kg]															
<b>E 1900 SPLINE®</b> 25 mm 27.5    29	100	584 x 25	25	30	21	●		○	●																		28	DT champion®	DT champion®	283	284	3-cross	4	●	130														
	110									●																																							
	110																		●																														
	142																													●	●							○	●	○									
	142																														●					○	●	●	○										
	148																														●					●		○	●	○									
	148																														●					○	●	●	○										
	148																														●					○	●	●	○										
	100	622 x 25	25	30	21	●		○	●																		28	DT champion®	DT champion®	302	303	3-cross	4	●	130														
	110									●																																							
	110																		●																														
	142																														●					●		○	●	○									
	142																																			●	○	●	●	○									
	148																														●					●		○	●	○									
	148																														●					○	●	●	○										
	148																														●					○	●	●	○										

● = Standard  
 ● = Convertible with included accessories  
 ○ = Option, sold separately  
<sup>1)</sup> Predictive Steering for RS-1



# WHEELS HYBRID

Model	Rim		Axle system													Hub			Spoke				Technical data												
			Free wheel	Free hub body	Disc mount	Type Left	Type Right	Length Left [mm]	Length Right [mm]	Lacing	ASTM classification	Axle clamping force (min./max.) 4000N / 8000N	Recommended system weight max. [kg]																						
Product name	Built-in width [mm]	Rim dimension	Rim inner width [mm]	Rim outer width [mm]	Rim height [mm]	Material Carbon	Material Aluminum	5 / 100 mm RWS / Quick release	15 / 100 mm Thru axle	15 / 110 mm Thru axle PS <sup>1)</sup>	15 / 110 mm Thru axle Boost	15 / 150 mm Thru axle	20 / 110 mm Thru axle	5 / 135 mm RWS / Quick release	12 / 142 mm Thru axle	12 / 148 mm Thru axle Boost	12 / 150 mm Thru axle	12 / 190 mm Thru axle	12 / 197 mm Thru axle	DT Swiss Ratchet System	Pawl system	Shimano MTB 9 / 10 / 11 and Sram MTB 9 / 10	Sram MTB XD 11 / 12	Center Lock	IS (6-bolt)	No. of spokes	Type Left	Type Right	Length Left [mm]	Length Right [mm]	Lacing	ASTM classification	Axle clamping force (min./max.) 4000N / 8000N	Recommended system weight max. [kg]	
<b>HXC 1200 SPLINE®</b> 30 mm 27.5    29	110	584 x 30	30	36	30	●				●						●					●				●	○	28	DT Hybrid 2°	DT Hybrid 2°	276	277	3-cross	3	●	120
	148																											DT Hybrid 2°	DT Hybrid 2°	277	276				
	110	622 x 30	30	36	30	●				●						●					●				●	○	28	DT Hybrid 2°	DT Hybrid 2°	295	296	3-cross	3	●	120
	148																											DT Hybrid 2°	DT Hybrid 2°	296	295				
<b>HX 1501 SPLINE® ONE</b> 25 mm 27.5	110	584 x 25	25	30	21	●				●						●					●				●	○	28	DT Hybrid 2°	DT Hybrid 2°	285	287	3-cross	3	●	150
	148																											DT Hybrid 2°	DT Hybrid 2°	286	285				
<b>HX 1501 SPLINE® ONE</b> 30 mm 27.5    29	110	584 x 30	30	35	21	●				●						●					●				●	○	28	DT Hybrid 2°	DT Hybrid 2°	285	287	3-cross	3	●	150
	148																											DT Hybrid 2°	DT Hybrid 2°	286	285				
	110	622 x 30	30	35	21	●				●						●						●				●	○	28	DT Hybrid 2°	DT Hybrid 2°	304	305	3-cross	3	●
148	DT Hybrid 2°																												DT Hybrid 2°	305	304				
<b>HX 1501 SPLINE® ONE</b> 35 mm 27.5	110	584 x 35	35	40	21	●				●						●					●				●	○	28	DT Hybrid 2°	DT Hybrid 2°	285	287	3-cross	3	●	150
	148																											DT Hybrid 2°	DT Hybrid 2°	286	285				
<b>H 1700 SPLINE®</b> 25 mm 27.5	110	584 x 25	25	30	20	●				●						●					●				●	○	28	DT Hybrid 1°	DT Hybrid 1°	286	287	3-cross	3	●	150
	148																											DT Hybrid 1°	DT Hybrid 1°	287	284				
<b>H 1700 SPLINE®</b> 30 mm 27.5    29	110	584 x 30	30	35	20	●				●						●					●				●	○	28	DT Hybrid 1°	DT Hybrid 1°	285	287	3-cross	3	●	150
	148																											DT Hybrid 1°	DT Hybrid 1°	287	284				
	110	622 x 30	30	35	20	●				●						●						●				●	○	28	DT Hybrid 1°	DT Hybrid 1°	304	306	3-cross	3	●
148	DT Hybrid 1°																												DT Hybrid 1°	305	303				
<b>H 1700 SPLINE®</b> 35 mm 27.5	110	584 x 35	35	40	20	●				●						●					●				●	○	28	DT Hybrid 1°	DT Hybrid 1°	285	287	3-cross	3	●	150
	148																											DT Hybrid 1°	DT Hybrid 1°	287	284				

- = Standard
- ◐ = Convertible with included accessories
- = Option, sold separately

<sup>1)</sup> Predictive Steering for RS-1

# WHEELS HYBRID

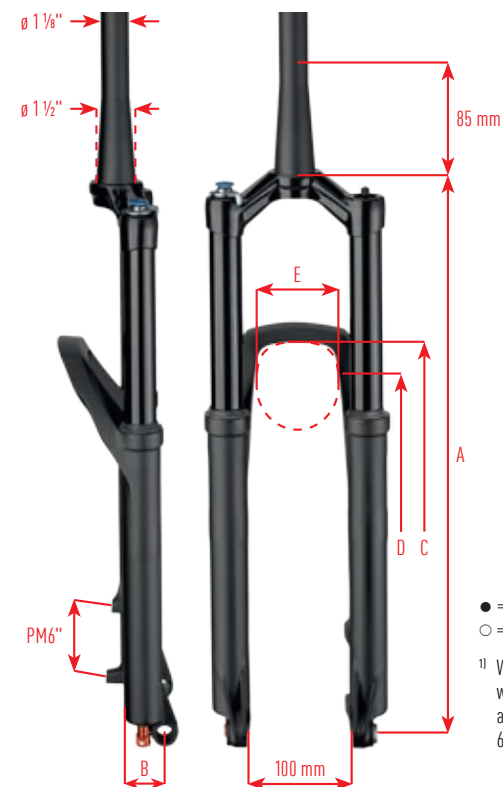
Model	Rim		Axle system													Hub			Spoke				Technical data												
			Axle system													Free wheel	Free hub body	Disc mount	Spoke				Technical data												
Product name	Built-in width [mm]	Rim dimension	Rim inner width [mm]	Rim outer width [mm]	Rim height [mm]	Material Carbon	Material Aluminum	5 / 100 mm RWS / Quick release	15 / 100 mm Thru axle	15 / 110 mm Thru axle PS <sup>1)</sup>	15 / 110 mm Thru axle Boost	15 / 150 mm Thru axle	20 / 110 mm Thru axle	5 / 135 mm RWS / Quick release	12 / 142 mm Thru axle	12 / 148 mm Thru axle Boost	12 / 150 mm Thru axle	12 / 190 mm Thru axle	12 / 197 mm Thru axle	DT Swiss Ratchet System	Pawl system	Shimano MTB 9 / 10 / 11 and Sram MTB 9 / 10	Sram MTB XD 11 / 12	Center Lock	IS (6-bolt)	No. of spokes	Type Left	Type Right	Length Left [mm]	Length Right [mm]	Lacing	ASTM classification	Axle clamping force (min. / max.) 4000N / 8000N	Recommended system weight max. [kg]	
<b>H 1900 SPLINE®</b> 25 mm 27.5	110	584 x 25	25	30	20	●			●							●						●	●	○	●	○	28	DT Hybrid 1°	DT Hybrid 1°	286	287	3-cross	3	●	150
	148																											DT Hybrid 1°	DT Hybrid 1°	287	284				
<b>H 1900 SPLINE®</b> 30 mm 27.5 II 29	110	584 x 30	30	35	20	●			●							●						●	●	○	●	○	28	DT Hybrid 1°	DT Hybrid 1°	285	287	3-cross	3	●	150
	148																											DT Hybrid 1°	DT Hybrid 1°	287	284				
	110																											622 x 30	30	35	20	●			●
148	DT Hybrid 1°	DT Hybrid 1°	305	303																															
<b>H 1900 SPLINE®</b> 35 mm 27.5	110	584 x 35	35	40	20	●			●						●							●	●	○	●	○	28	DT Hybrid 1°	DT Hybrid 1°	285	287	3-cross	3	●	150
	148																											DT Hybrid 1°	DT Hybrid 1°	287	284				

- = Standard
- ◐ = Convertible with included accessories
- = Option, sold separately

<sup>1)</sup> Predictive Steering for RS-1

# SUSPENSION FORKS

Model	Travel	Adjustment		Steerer/Crown		Technical data						ASTM	Spring system		Damping system	Accessories included										
		Crown adjust	Remote ready	Aluminum black	Carbon	Ride height (A) ± 3 mm [mm]	Fork offset (B) [mm]	Tire diameter max. (C) [mm]	Max. diameter (D) at tire width (E) [mm]	Max. tire width (E) [mm]	Disc mount PM6" max. [mm]		Recommended system weight max. [kg]	Classification		NCS	APT	O.D.L. (Open – Drive – Lock)	Star nut and top gap set	Carbon expander and top gap set	Shock pump	RWS 15 / 100 mm Thru axle light	Two in One remote Lever	3 volume spacer		
OPM O.D.L RACE	27.5	1410	100	○	●	●	488	41	718	698	65	210	110	3	●	●	●	●	●	●	●	●	●	●		
		1440	120	○	●	●	508	41	718	698	65	210	110	3	●	●	●	●	●	●	●	●	●	●		
	29	1440	100	○	●	●	505	45	756	733	62	210	110	3	●	●	●	●	●	●	●	●	●	●	●	
		1470	120	○	●	●	525	45	756	733	62	210	110	3	●	●	●	●	●	●	●	●	●	●	●	
OPM O.D.L	27.5	1540	100	●	○	●	488	41	718	698	65	210	130	3	●	●	●	●	●	●	●	●	●	●	●	
		1570	120	●	○	●	508	41	718	698	65	210	130	3	●	●	●	●	●	●	●	●	●	●	●	
		1600	140	●	○	●	528	41	718	698	65	210	130	3	●	●	●	●	●	●	●	●	●	●	●	
	29	1615	150	●	○	●	538	41	718	698	65	210	130	3	●	●	●	●	●	●	●	●	●	●	●	●
		1570	100	●	○	●	505	45	756	733	62	210	130	3	●	●	●	●	●	●	●	●	●	●	●	●
		1600	120	●	○	●	525	45	756	733	62	210	130	3	●	●	●	●	●	●	●	●	●	●	●	●
	1615	130	●	○	●	535	45	756	733	62	210	130	3	●	●	●	●	●	●	●	●	●	●	●	●	

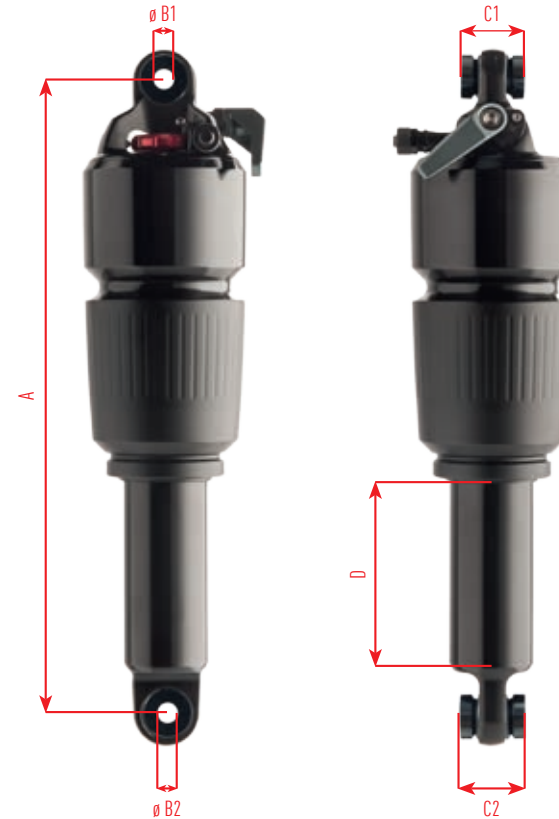


● = Standard  
○ = Option, sold separately

<sup>1)</sup> Weight +/- 3%, lightest combination without RWS, remote Lever and steerer expander. RWS weight 65 grams, remote Lever 26 grams.

# SUSPENSION SHOCKS

Model		Technical data						Air chamber, finish		Spring system			Damping system	Accessories included	
Product name	Weight <sup>1)</sup> ± 3% [g]	165 (A) x 38 (D) mm	184 (A) x 44 (D) mm	190 (A) x 50 (D) mm	200 (A) x 50 (D) mm	200 (A) x 55 (D) mm	216 (A) x 63 (D) mm	Carbon fiber	Aluminum black	ABS	SAB	Limé-Air	O.D.L (Open – Drive – Lock)	Two In One double stage Lever	High Pressure Shock pump
R 414	Lever	250	•	•	•	•	•		•				•		•
	Remote	275 <sup>2)</sup>	•	•	•	•	•		•				•	•	•
X 313 CARBON	Lever	145	•		•	•		•		•			•		
	Remote	155 <sup>3)</sup>	•		•	•		•		•			•	•	
X 313	Lever	195	•		•	•			•				•		
	Remote	205 <sup>3)</sup>	•		•	•			•				•	•	



A = Eye-to-eye [mm]

D = Stroke [mm]

B1 / B2 = Bolt diameter [mm]

C1 / C2 = Mounting hardware width [mm]

To fit a shock to your frame you need two hardware kits. One kit contains two reducers and two O-rings. When ordering a shock please measure A to C2 like shown on the graphics.

• = Standard

<sup>1)</sup> Weight at 165 x 38 mm

<sup>2)</sup> Incl. Two In One double stage Lever

<sup>3)</sup> Incl. Lightweight double stage Lever

# RIMS ROAD, TREKKING / E-BIKE

Model			Dimension					Rim joint		Brake		Holes				Eyelets		Technical data				Accessories included											
Product name		Weight ± 5% [g]	Rim dimension	ERD [mm]	Rim inner width [mm]	Rim outer width [mm]	Rim height [mm]	Carbon	Welded	Sleeve joint	Pin joint	Disc brake	Rim brake	20 holes	24 holes	28 holes	32 holes	36 holes	None	Single	Double	Valve hole Presta SV ø 6.5 mm	Valve hole Schrader AV ø 8.5 mm	Tubeless ready with tape	ASTM classification	Recommended system weight max. [kg]	Max. spoke tension [N]	PHR washer	DT Squorx nipple	Valve adapter Schrader AV to Presta SV	Rim tape		
<b>RIMS PERFORMANCE</b>	<b>RR 411 SYMMETRIC</b>		435	622 x 18	601 <sup>1)</sup>	18	22	21	●			●	●	●	●	●	●	●	●		●		○	1	110	1200	●	●					
	<b>RR 411 ASYMMETRIC</b>		445	622 x 18	601 <sup>1)</sup>	18	22	21	●			●		●	●	●	●	●	●		●		○	1	110	1200	●	●					
	<b>RR 411 db ASYMMETRIC</b>		410	622 x 18	601 <sup>1)</sup>	18	22	21	●			●		●	●	●	●	●	●		●		○	1	110	1200	●	●					
	<b>RR 511</b>		530	622 x 18	581 <sup>1)</sup>	18	22	32	●			●	●	●	●	●	●	●	●	●		●		○	2	130	1200	●	●				
	<b>RR 511 db</b>		490	622 x 18	581 <sup>1)</sup>	18	22	32	●			●		●	●	●	●	●	●	●		●		○	2	130	1200	●	●				
	<b>RR 521 db</b>		520	622 x 20	581 <sup>1)</sup>	20	24	32	●			●		●	●	●	●	●	●	●		●		○	2	130	1200	●	●				
	<b>R 460</b>		460	622 x 18	596	18	23	23		●			●	●	●	●	●	●	●	●		●		○	2	110	1200						
	<b>R 460 db</b>		450	622 x 18	596	18	22	23		●			●		●	●	●	●	●	●		●		○	2	110	1200						
<b>RIMS ENDURANCE</b>	<b>RR 421 db ASYMMETRIC</b>		430	622 x 20	601 <sup>1)</sup>	20	24	21	●			●		●	●	●	●	●	●		●		○	2	120	1200	●	●					
	<b>R 470 db</b>		450	622 x 20	596	20	24	23		●		●		●	●	●	●	●	●		●		○	2	120	1200							
<b>RIMS CROSS ROAD</b>	<b>R 500 db</b>		495	622 x 22	596	22	26	23		●		●		●	●	●	●	●	●		●		○	2	130	1200							
<b>RIMS TREKKING / E-BIKE</b>	<b>TK 540</b>	<b>700c</b>	545	622 x 19	600	19	23.6	20.2	●			●		●	●	●	●	●	●		●			2	130	1200							
	<b>TK 540 db</b>	<b>700c</b>	545	622 x 19	600	19	23.6	20.2	●			●		●	●	●	●	●	●		●			2	130	1200							
	<b>535</b>	<b>26</b>	540	559 x 19	540	19	24	20			●	●		●	●	●	●	●	●		●		○	●	2	140	1200			●			
		<b>700c</b>	600	622 x 19	603	19	24	20			●	●		●	●	●	●	●	●	●		●		○	●	2	140	1200			●		
	<b>545D</b>	<b>26</b>	530	559 x 21	542	21	27	19			●	●		●	●	●	●	●	●	●		●		○	●	2	140	1200			●		
	<b>700c</b>	585	622 x 21	605	21	27	19			●	●		●	●	●	●	●	●	●		●		○	●	2	140	1200			●			

- = Standard
- ◐ = Convertible with included accessories
- = Option, sold separately

<sup>1)</sup> Incl. PHR washer



# RIMS MTB

Model		Dimension							Rim joint		Brake		Holes				Eyelets		Technical data				Accessories included							
Product name	Weight ± 5% [g]	Rim dimension	ERD [mm]	Rim inner width [mm]	Rim outer width [mm]	Rim height [mm]	Carbon	Welded	Sleeve joint	Pin joint	Disc brake	Rim brake	20 holes	24 holes	28 holes	32 holes	36 holes	None	Single	Double	Valve hole Presta SV ø 6.5 mm	Valve hole Schrader AV ø 8.5 mm	Tubeless ready with tape	ASTM classification	Recommended system weight max. [kg]	Max. spoke tension [N]	PHR washer	DT Squorx nipple	Valve adapter Schrader AV to Presta SV	Rim tape
RIMS XR	XR 331	26	340	559 x 20	543 <sup>1)</sup>	20	24	18	●		●				●	●		●			●	○	2	110	1200	●	●			
		27.5	355	584 x 20	568 <sup>1)</sup>	20	24	18	●		●				●	●		●			●	○	2	110	1200	●	●			
CROSS COUNTRY	29	380	622 x 20	606 <sup>1)</sup>	20	24	18	●		●				●	●		●			●	○	2	110	1200	●	●				
		27.5	390	584 x 22.5	569 <sup>1)</sup>	22.5	26	18	●		●				●	●		●			●	○	2	110	1200	●	●			
XR 361 ASYMM.	29	410	622 x 22.5	607 <sup>1)</sup>	22.5	26	18	●		●				●	●		●			●	○	2	110	1200	●	●				
		27.5	415	584 x 25	569 <sup>1)</sup>	25	29	18	●		●				●	●		●			●	○	2	110	1200	●	●			
XR 391	29	440	622 x 25	607 <sup>1)</sup>	25	29	18	●		●				●	●		●			●	○	2	110	1200	●	●				
		27.5	415	584 x 20	568	20	24	18		●	●				●	●		●			●	○	2	110	1200					
X 392	29	440	622 x 20	606	20	24	18		●	●				●	●		●			●	○	2	110	1200						
		27.5	440	584 x 20	568	20	24	18		●	●				●	●		●			●	○	2	110	1200					
X 412	29	440	622 x 20	606	20	24	18		●	●				●	●		●			●	○	2	110	1200						
		27.5	440	584 x 22.5	567	22.5	27	18.5		●	●				●	●		●			●	○	2	110	1200					
		29	465	622 x 22.5	605	22.5	27	18.5		●	●				●	●		●			●	○	2	110	1200					

● = Standard  
 ○ = Option, sold separately  
<sup>1)</sup> Incl. PHR washer

# RIMS MTB

Model		Dimension							Rim joint		Brake	Holes					Eyelets		Technical data				Accessories included							
Product name	Weight ± 5% [g]	Rim dimension	ERD [mm]	Rim inner width [mm]	Rim outer width [mm]	Rim height [mm]	Carbon	Welded	Sleeve joint	Pin joint	Disc brake	Rim brake	20 holes	24 holes	28 holes	32 holes	36 holes	None	Single	Double	Valve hole Presta SV ø 6.5 mm	Valve hole Schrader AV ø 8.5 mm	Tubeless ready with tape	ASTM classification	Recommended system weight max. [kg]	Max. spoke tension [N]	PHR washer	DT Squorx nipple	Valve adapter Schrader AV to Presta SV	Rim tape
<b>RIMS XM</b>	<b>XM 401</b>	<b>26</b>	410	559 x 22.5	540 <sup>1)</sup>	22.5	27	19.5	●	●			●	●	●	●	●	●		●	○	3	120	1200	●	●				
	<b>27.5</b>	430	584 x 22.5	565 <sup>1)</sup>	22.5	27	19.5	●	●	●			●	●	●	●	●	●		●	○	3	120	1200	●	●				
<b>ALL MOUNTAIN</b>	<b>29</b>	460	622 x 22.5	603 <sup>1)</sup>	22.5	27	19.5	●	●	●			●	●	●	●	●	●		●	○	3	120	1200	●	●				
	<b>XM 421</b>	<b>27.5</b>	440	584 x 25	564 <sup>1)</sup>	25	30	20	●	●			●	●	●	●	●	●		●	○	3	120	1200	●	●				
	<b>29</b>	465	622 x 25	602 <sup>1)</sup>	25	30	20	●	●	●			●	●	●	●	●	●		●	○	3	120	1200	●	●				
	<b>XM 481</b>	<b>27.5</b>	490	584 x 30	563 <sup>1)</sup>	30	35	21	●	●			●	●	●	●	●	●		●	○	3	120	1200	●	●				
	<b>29</b>	525	622 x 30	601 <sup>1)</sup>	30	35	21	●	●	●			●	●	●	●	●	●		●	○	3	120	1200	●	●				
	<b>XM 521</b>	<b>27.5</b>	545	584 x 35	562 <sup>1)</sup>	35	40	21	●	●			●	●	●	●	●	●		●	○	3	120	1200	●	●				
	<b>XM 551</b>	<b>27.5</b>	595	584 x 40	564 <sup>1)</sup>	40	44	21	●	●			●	●	●	●	●	●		●	○	3	120	1200	●	●				
	<b>M 442</b>	<b>27.5</b>	465	584 x 22.5	565	22.5	27	19.5		●	●		●	●	●	●	●	●	●	●	○	3	120	1200						
	<b>29</b>	495	622 x 22.5	603	22.5	27	19.5		●	●			●	●	●	●	●	●	●	●	○	3	120	1200						
	<b>M 462</b>	<b>27.5</b>	480	584 x 25	565	25	30	19.5		●	●		●	●	●	●	●	●	●	●	○	3	120	1200						
	<b>29</b>	510	622 x 25	603	25	30	19.5		●	●			●	●	●	●	●	●	●	●	○	3	120	1200						
	<b>M 502</b>	<b>27.5</b>	535	584 x 30	564	30	35	20		●	●		●	●	●	●	●	●	●	●	○	3	120	1200						
	<b>29</b>	570	622 x 30	602	30	35	20		●	●			●	●	●	●	●	●	●	●	○	3	120	1200						
	<b>M 542</b>	<b>27.5</b>	570	584 x 35	564	35	40	20		●	●		●	●	●	●	●	●	●	●	○	3	120	1200						
	<b>M 582</b>	<b>27.5</b>	610	584 x 40	564	40	45	20		●	●		●	●	●	●	●	●	●	●	○	3	120	1200						

● = Standard  
 ○ = Option, sold separately  
<sup>1)</sup> Incl. PHR washer

# RIMS MTB

Model		Dimension						Rim joint		Brake		Holes				Eyelets		Technical data				Accessories included									
Product name	Weight ± 5% [g]	Rim dimension	ERD [mm]	Rim inner width [mm]	Rim outer width [mm]	Rim height [mm]	Carbon	Welded	Sleeve joint	Pin joint	Disc brake	Rim brake	20 holes	24 holes	28 holes	32 holes	36 holes	None	Single	Double	Valve hole Presta SV ø 6.5 mm	Valve hole Schrader AV ø 8.5 mm	Tubeless ready with tape	ASTM classification	Recommended system weight max. [kg]	Max. spoke tension [N]	PHR washer	DT Squorx nipple	Valve adapter Schrader AV to Presta SV	Rim tape	
RIMS EX ENDURO	EX 471	26	475	559 x 25	537 <sup>1)</sup>	25	30	21	●		●				●	●		●		●	○	4	130	1200	●	●					
		27.5	500	584 x 25	562 <sup>1)</sup>	25	30	21	●		●				●	●		●		●	○	4	130	1200	●	●					
		29	530	622 x 25	600 <sup>1)</sup>	25	30	21	●		●				●	●		●		●	○	4	130	1200	●	●					
	EX 511	27.5	535	584 x 30	563 <sup>1)</sup>	30	35	21	●		●				●	●		●		●	○	4	130	1200	●	●					
		29	570	622 x 30	601 <sup>1)</sup>	30	35	21	●		●				●	●		●		●	○	4	130	1200	●	●					
	E 512	27.5	525	584 x 25	562	25	30	21		●	●				●	●		●		●	○	4	130	1200							
		29	560	622 x 25	600	25	30	21		●	●				●	●		●		●	○	4	130	1200							
	E 532	27.5	580	584 x 30	564	30	35	20		●	●				●	●		●		●	○	4	130	1200							
		29	615	622 x 30	602	30	35	20		●	●				●	●		●		●	○	4	130	1200							
	533D	26	520	559 x 22	539	22	28	20.5			●	●			●	●		●		●	○	4	130	1200							
		27.5	540	584 x 22	564	22	28	20.5			●	●			●	●		●		●	○	4	130	1200							
		29	575	622 x 22	602	22	28	20.5			●	●			●	●		●		●	○	4	130	1200							
RIMS FR FREERIDE	FR 570	26	570	559 x 27.5	535	27.5	33	22.5	●		●			●			●		○	●	○	5	140	1200					●		
		27.5	590	584 x 27.5	560	27.5	33	22.5	●		●			●			●		○	●	○	5	140	1200					●		
RIMS BR BIG RIDE	BR 710	26	675	559 x 76	549	76	81	16	●		●			●			●					3	130	1200						●	

- = Standard
- = Convertible with included accessories
- = Option, sold separately

<sup>1)</sup> Incl. PHR washer

# RIMS HYBRID

Model			Dimension						Rim joint		Brake		Holes				Eyelets			Technical data			Accessories included								
Product name		Weight ± 5% [g]	Rim dimension	ERD [mm]	Rim inner width [mm]	Rim outer width [mm]	Rim height [mm]	Carbon	Welded	Sleeve joint	Pin joint	Disc brake	Rim brake	20 holes	24 holes	28 holes	32 holes	36 holes	None	Single	Double	Valve hole Presta SV ø 6.5 mm	Valve hole Schrader AV ø 8.5 mm	Tubeless ready with tape	ASTM classification	Recommended system weight max. [kg]	Max. spoke tension [N]	PHR washer	DT Squorx nipple	Valve adapter Schrader AV to Presta SV	Rim tape
RIMS HYBRID	HX 491	27.5	584 x 25	563 <sup>1)</sup>	25	30	21	●				●						●							3 <sup>2)</sup>	150	1200	●	●		
	HX 531	27.5	584 x 30	563 <sup>1)</sup>	30	35	21	●				●						●							3 <sup>2)</sup>	150	1200	●	●		
		29	590	622 x 30	601 <sup>1)</sup>	30	35	21	●			●						●							3 <sup>2)</sup>	150	1200	●	●		
	HX 581	27.5	610	584 x 35	563 <sup>1)</sup>	35	40	21	●			●						●							3 <sup>2)</sup>	150	1200	●	●		
	H 522	27.5	535	584 x 25	565	25	30	20		●		●							●						3 <sup>2)</sup>	150	1200				
	H 552	27.5	580	584 x 30	564	30	35	20		●		●							●						3 <sup>2)</sup>	150	1200				
		29	615	622 x 30	602	30	35	20		●		●							●						3 <sup>2)</sup>	150	1200				
	H 612	27.5	635	584 x 35	564	35	40	20		●		●							●						3 <sup>2)</sup>	150	1200				

● = Standard

<sup>1)</sup> Incl. PHR washer  
<sup>2)</sup> ASTM Class 4 possible with 130 kg max. system weight

# HUBS 180 CARBON CERAMIC CLASSIC

Model				Hub axle system front														Hub axle system rear														Spoke holes				Disc mount		Free wheel body					Technical data			
Product name		Weight <sup>2)</sup> ± 5% [g]	Bolt-in width [mm]	5/100 mm RWS / Quick release	9/100 mm DT Swiss Thru bolt	12/100 mm Thru axle	15/100 mm Thru axle	15/110 mm Thru axle PS <sup>1)</sup>	15/110 mm Thru axle Boost	20/110 mm Thru axle	15/150 mm Thru axle Big Ride	Lefty	5/130 mm RWS / Quick release	5/135 mm RWS / Quick release	5/145 mm RWS / Quick release	5/170 mm RWS / Quick release	5/197 mm RWS / Quick release	10/195 mm DT Swiss Thru bolt	12/135 mm Thru axle	12/142 mm Thru axle	12/148 mm Thru axle Boost	12/150 mm Thru axle	12/170 mm Thru axle	12/177 mm Thru axle	12/190 mm Thru axle	12/197 mm Thru axle	bolt on	16 holes	18 holes	20 holes	24 holes	28 holes	32 holes	36 holes	40 holes	Center Lock	IS (6-bolt)	Shimano MTB (9/10/11) and Stam MTB (9/10)	Sram XD (11/12)	Shimano Road 11 incl. washer for 10 speed	Campagnolo 9/10/11	Spoke hole ø [mm]	Optimized for spoke ø [mm]			
				Front	Rear	•	○	●	○	○	○	○	○	○	○	○	○	○	○	○	○	○	○	○	○	○	○	○	○	○	○	○	○	○	○	○	○	○	○	○	○	○	○	○	○	○
NON DISC	Front	100	100	•																																							2.4	2.0		
	Rear	183	130										•																															2.4	2.0	
		190	130										•																															2.4	2.0	
ROAD DB CENTER LOCK <sup>3)</sup>	Front	105	100	○	○	○	●																																						2.5	2.0
	Rear	202	142										○	○	●																														2.5	2.0
CENTER LOCK <sup>3)</sup>	Front	108	100	●			○																																						2.5	2.0
		105	100	○			●																																						2.5	2.0
	Rear	207	135																○	○																									2.5	2.0
		202	142											○					○	●																									2.5	2.0
	195	142											○					○	●																										2.5	2.0

- = Standard
- = Convertible with included accessories
- = Option, sold separately

<sup>1)</sup> Predictive Steering for RS-1

<sup>2)</sup> Weight without CL adapter, Quick release or Thru axle

<sup>3)</sup> Including IS (6-bolt) adapter

# HUBS 240S CLASSIC

Model		Hub axle system front								Hub axle system rear								Spoke holes				Disc mount		Free wheel body				Technical data																				
Product name		Weight <sup>2)</sup> ± 5% [g]	Bolt-in width [mm]	5/100 mm RWS / Quick release	9/100 mm DT Swiss Thru bolt	12/100 mm Thru axle	15/100 mm Thru axle	15/110 mm Thru axle PS <sup>1)</sup>	15/110 mm Thru axle Boost	20/110 mm Thru axle	15/150 mm Thru axle Big Ride	Lefty	5/130 mm RWS / Quick release	5/135 mm RWS / Quick release	5/145 mm RWS / Quick release	5/170 mm RWS / Quick release	5/197 mm RWS / Quick release	10/195 mm DT Swiss Thru bolt	12/135 mm Thru axle	12/142 mm Thru axle	12/148 mm Thru axle Boost	12/150 mm Thru axle	12/170 mm Thru axle	12/177 mm Thru axle	12/190 mm Thru axle	12/197 mm Thru axle	bolt on	16 holes	18 holes	20 holes	24 holes	28 holes	32 holes	36 holes	40 holes	Center Lock	IS (6-bolt)	Shimano MTB (9/10/11) and Sram MTB (9/10)	Sram XD (11/12)	Shimano Road 11 incl. washer for 10 speed	Campagnolo 9/10/11	Spoke hole ø [mm]	Optimized for spoke ø [mm]					
				●	○	●	○	●	○	●	○	●	○	●	○	●	○	●	○	●	○	●	○	●	○	●	○	●	○	●	○	●	○	●	○	●	○	●	○	●	○	●	○	●	○			
NON DISC	Front	105	100	●																																							2.4	2.0				
	Rear	209	130										●																															2.4	2.0			
ROAD DB CENTER LOCK	Front	126	100	●	○	○	●																																						2.5	2.0		
	Rear	228	142											●				○	○	○	●																									2.5	2.0	
CENTER LOCK	Front fifteen	130	100	●			○																																						2.5	2.0		
		126	100	○			●																																						2.5	2.0		
	Rear	233	135											●					○	○																										2.5	2.0	
		218	142											○					○	○	●																									2.5	2.0	
		228	142											○					○	○	●																									2.5	2.0	
BOOST CENTER LOCK	Front	129	110						●																																					2.5	2.0	
	Rear	232	148																			●																							2.5	2.0		
DB IS (6-BOLT)	Front	145	100	●																																										2.5	2.0	
		165	100	○			●																																						2.5	2.0		
	Front oversize	165	110	○		○			●																																						2.5	2.0
		Rear	244	135																																										2.5	2.0	
	Rear	240	142											○	○																																2.5	2.0
		230	142											○																																2.5	2.0	
		275	150																																											2.5	2.0	
BOOST IS (6-BOLT)	Front	147	110						●																																					2.5	2.0	
	Rear	244	148																			●																							2.5	2.0		

- = Standard
- = Convertible with included accessories
- = Option, sold separately

<sup>1)</sup> Predictive Steering for RS-1  
<sup>2)</sup> Weight without CL adapter, Quick release or Thru axle

\* Hubs with Sram XD Rotor -10g

# HUBS 240S STRAIGHTPULL

Model				Hub axle system front								Hub axle system rear								Spoke holes				Disc mount		Free wheel body				Technical data																	
Product name		Weight <sup>2)</sup> ± 5% [g]	Bolt-in width [mm]	5/100 mm RWS / Quick release	9/100 mm DT Swiss Thru bolt	12/100 mm Thru axle	15/100 mm Thru axle	15/110 mm Thru axle PS <sup>1)</sup>	15/110 mm Thru axle Boost	20/110 mm Thru axle	15/150 mm Thru axle Big Ride	Lefty	5/130 mm RWS / Quick release	5/135 mm RWS / Quick release	5/145 mm RWS / Quick release	5/170 mm RWS / Quick release	5/197 mm RWS / Quick release	10/195 mm DT Swiss Thru bolt	12/135 mm Thru axle	12/142 mm Thru axle	12/148 mm Thru axle Boost	12/150 mm Thru axle	12/170 mm Thru axle	12/177 mm Thru axle	12/190 mm Thru axle	12/197 mm Thru axle	bolt on	16 holes	18 holes	20 holes	24 holes	28 holes	32 holes	36 holes	40 holes	Center Lock	IS (6-bolt)	Shimano MTB (9/10/11) and Sram MTB (9/10)	Sram XD (11/12)	Shimano Road 11 incl. washer for 10 speed	Campagnolo 9/10/11	Spoke hole ø [mm]	Optimized for spoke ø [mm]				
				●	○	●	○	●	○	●	○	●	○	●	○	●	○	●	○	●	○	●	○	●	○	●	○	●	○	●	○	●	○	●	○	●	○	●	○	●	○	●	○	●	○		
NON DISC	Front	107	100	●																																						2.5	2.0				
	Rear	212	130										●																														2.5	2.0			
ROAD DB CENTER LOCK	Front	126	100	●	○	●	●																																					2.5	2.0		
	Rear	228	142										●					○	○	●																								2.5	2.0		
CENTER LOCK	Front fifteen	122	100	●			○																																					2.5	2.0		
		118	100	○			●																																					2.5	2.0		
	Rear	231	135										●						○	○																									2.5	2.0	
		227	142										○						○	●																									2.5	2.0	
		216	142										○						○	●																								2.5	2.0		
BOOST CENTER LOCK	Front	122	110						●																																			2.5	2.0		
	Rear	230	148																			●																						2.5	2.0		
DB IS (6-BOLT)	Front	130	100	●			○																																						2.5	2.0	
		127	100	○			●																																						2.5	2.0	
	Front PS	178	110					●																																					2.5	2.0	
	Rear	237	135											●					○	○																										2.5	2.0
		232	142											○					○	●																									2.5	2.0	
		222	142											○					○	●																								2.5	2.0		
	276	150																				●																						2.5	2.0		
BOOST IS (6-BOLT)	Front	130	110					●																																					2.5	2.0	
	Rear	236	148																			●																						2.5	2.0		

- = Standard
- = Convertible with included accessories
- = Option, sold separately

<sup>1)</sup> Predictive Steering for RS-1  
<sup>2)</sup> Weight without CL adapter, Quick release or Thru axle

\* Hubs with Sram XD Rotor -10g

# HUBS 350 CLASSIC

Model		Hub axle system front								Hub axle system rear								Spoke holes				Disc mount		Free wheel body				Technical data																				
Product name		Weight <sup>2)</sup> ± 5% [g]	Bolt-in width [mm]	5/100 mm RWS / Quick release	9/100 mm DT Swiss Thru bolt	12/100 mm Thru axle	15/100 mm Thru axle	15/110 mm Thru axle PS <sup>1)</sup>	15/110 mm Thru axle Boost	20/110 mm Thru axle	15/150 mm Thru axle Big Ride	Lefty	5/130 mm RWS / Quick release	5/135 mm RWS / Quick release	5/145 mm RWS / Quick release	5/170 mm RWS / Quick release	5/197 mm RWS / Quick release	10/195 mm DT Swiss Thru bolt	12/135 mm Thru axle	12/142 mm Thru axle	12/148 mm Thru axle Boost	12/150 mm Thru axle	12/170 mm Thru axle	12/177 mm Thru axle	12/190 mm Thru axle	12/197 mm Thru axle	bolt on	16 holes	18 holes	20 holes	24 holes	28 holes	32 holes	36 holes	40 holes	Center Lock	IS (6-bolt)	Shimano MTB (9/10/11) and Sram MTB (9/10)	Sram XD (11/12)	Shimano Road 11 incl. washer for 10 speed	Campagnolo 9/10/11	Spoke hole ø [mm]	Optimized for spoke ø [mm]					
				Weight <sup>2)</sup> ± 5% [g]	Bolt-in width [mm]	5/100 mm RWS / Quick release	9/100 mm DT Swiss Thru bolt	12/100 mm Thru axle	15/100 mm Thru axle	15/110 mm Thru axle PS <sup>1)</sup>	15/110 mm Thru axle Boost	20/110 mm Thru axle	15/150 mm Thru axle Big Ride	Lefty	5/130 mm RWS / Quick release	5/135 mm RWS / Quick release	5/145 mm RWS / Quick release	5/170 mm RWS / Quick release	5/197 mm RWS / Quick release	10/195 mm DT Swiss Thru bolt	12/135 mm Thru axle	12/142 mm Thru axle	12/148 mm Thru axle Boost	12/150 mm Thru axle	12/170 mm Thru axle	12/177 mm Thru axle	12/190 mm Thru axle	12/197 mm Thru axle	bolt on	16 holes	18 holes	20 holes	24 holes	28 holes	32 holes	36 holes	40 holes	Center Lock	IS (6-bolt)	Shimano MTB (9/10/11) and Sram MTB (9/10)	Sram XD (11/12)	Shimano Road 11 incl. washer for 10 speed	Campagnolo 9/10/11	Spoke hole ø [mm]	Optimized for spoke ø [mm]			
NON DISC	Front	149	100	●																																							2.6	2.0				
	Rear	265	130									●																																2.6	2.0			
		252	130									●																																2.6	2.0			
ROAD DB CENTER LOCK	Front	136	100	○	○	○	●																																					2.6	2.0			
	Rear	267	142										○					○	○	●																									2.6	2.0		
CENTER LOCK	Front	145	100	●			●																																						2.6	2.0		
	Rear	272	135										●					○	○																										2.6	2.0		
		267	142											○				○	●																											2.6	2.0	
BOOST CENTER LOCK	Front	142	110					●																																					2.6	2.0		
	Rear	272	148																		●																								2.6	2.0		
DB IS (6-BOLT)	Front	194	100	●																																									2.6	2.0		
		172	100	○		●																																							2.6	2.0		
		239	110							●																																				2.6	2.0	
	Rear	305	135										●					○	○																												2.6	2.0
		300	142											○				○	●																											2.6	2.0	
		277	142											○				○	●																											2.6	2.0	
		344	150																				●																						2.6	2.0		
BOOST IS (6-BOLT)	Front	182	110					●																																					2.6	2.0		
	Rear	305	148																		●																								2.6	2.0		

- = Standard
- ◐ = Convertible with included accessories
- = Option, sold separately

<sup>1)</sup> Predictive Steering for RS-1  
<sup>2)</sup> Weight without CL adapter, Quick release or Thru axle

\* Hubs with Sram XD Rotor -10g



# HUBS 350 STRAIGHTPULL

Model		Hub axle system front								Hub axle system rear								Spoke holes				Disc mount		Free wheel body				Technical data																				
Product name		Weight <sup>2)</sup> ± 5% [g]	Bolt-in width [mm]	5/100 mm RWS / Quick release	9/100 mm DT Swiss Thru bolt	12/100 mm Thru axle	15/100 mm Thru axle	15/110 mm Thru axle PS <sup>1)</sup>	15/110 mm Thru axle Boost	20/110 mm Thru axle	15/150 mm Thru axle Big Ride	Lefty	5/130 mm RWS / Quick release	5/135 mm RWS / Quick release	5/145 mm RWS / Quick release	5/170 mm RWS / Quick release	5/197 mm RWS / Quick release	10/195 mm DT Swiss Thru bolt	12/135 mm Thru axle	12/142 mm Thru axle	12/148 mm Thru axle Boost	12/150 mm Thru axle	12/170 mm Thru axle	12/177 mm Thru axle	12/190 mm Thru axle	12/197 mm Thru axle	bolt on	16 holes	18 holes	20 holes	24 holes	28 holes	32 holes	36 holes	40 holes	Center Lock	IS (6-bolt)	Shimano MTB (9/10/11) and Sram MTB (9/10)	Sram XD (11/12)	Shimano Road 11 incl. washer for 10 speed	Campagnolo 9/10/11	Spoke hole ø [mm]	Optimized for spoke ø [mm]					
				•	○	○	●																																									
<b>NON DISC</b>	Front	110	100	•																																								2.5	2.0			
	Rear	264	130										•																																2.5	2.0		
<b>ROAD DB CENTER LOCK</b>	Front	136	100	○	○	○	●																																							2.5	2.0	
	Rear	267	142											○				○	○	●																										2.5	2.0	
<b>CENTER LOCK</b>	Front	151	100	●																																									2.5	2.0		
		130	100	○		●																																							2.5	2.0		
	Rear	271	135											●					○	○																										2.5	2.0	
		243	142											○					○	●																										2.5	2.0	
<b>BOOST CENTER LOCK</b>	Front	137	110					●																																						2.5	2.0	
	Rear	266	148																			●																								2.5	2.0	
<b>DB IS (6-BOLT)</b>	Front	151	100	●																																											2.5	2.0
		137	100	○		●																																									2.5	2.0
		239	110							●																																					2.5	2.0
	Rear	279	135											●					○	○																											2.5	2.0
		274	142											○					○	●																										2.5	2.0	
		252	142										○					○	●																											2.5	2.0	
<b>BOOST IS (6-BOLT)</b>	Front	145	110					●																																							2.5	2.0
	Rear	273	148																			●																								2.5	2.0	

- = Standard
- ◐ = Convertible with included accessories
- = Option, sold separately

<sup>1)</sup> Predictive Steering for RS-1  
<sup>2)</sup> Weight without CL adapter, Quick release or Thru axle

\* Hubs with Sram XD Rotor -10g

# HUBS ASSORTED

Model				Hub axle system front							Hub axle system rear							Spoke holes				Disc mount		Free wheel body				Technical data																		
Product name		Weight <sup>2)</sup> ± 5% [g]	Bolt-in width [mm]	5/100 mm RWS / Quick release	9/100 mm DT Swiss Thru bolt	12/100 mm Thru axle	15/100 mm Thru axle	15/110 mm Thru axle PS <sup>1)</sup>	15/110 mm Thru axle Boost	20/110 mm Thru axle	15/150 mm Thru axle Big Ride	Lefty	5/130 mm RWS / Quick release	5/135 mm RWS / Quick release	5/145 mm RWS / Quick release	5/170 mm RWS / Quick release	5/197 mm RWS / Quick release	10/135 mm DT Swiss Thru bolt	12/135 mm Thru axle	12/142 mm Thru axle	12/148 mm Thru axle Boost	12/150 mm Thru axle	12/170 mm Thru axle	12/177 mm Thru axle	12/190 mm Thru axle	12/197 mm Thru axle	bolt on	16 holes	18 holes	20 holes	24 holes	28 holes	32 holes	36 holes	40 holes	Center Lock	IS (6-bolt)	Shimano MTB (9/10/11) and Sram MTB (9/10)	Sram XD (11/12)	Shimano Road 11 incl. washer for 10 speed	Campagnolo 9/10/11	Spoke hole ø [mm]	Optimized for spoke ø [mm]			
				<b>240S LEFTY</b>	Front <sup>3)</sup>	124	Lefty								●																															
<b>240S SINGLE SPEED</b>	Rear	243	142											○						●																								2.5	2.0	
		308	135																									●																2.5	2.0	
<b>350 BIG RIDE CENTER LOCK</b>	Front	174	150								●																																	2.6	2.0	
	Rear	291	177													○								●	●																			2.6	2.0	
		300	190																							●	○																		2.6	2.0
		302	197															○									○	●																	2.6	2.0
<b>350 BIG RIDE IS (6-BOLT)</b>	Front	215	150								●																																		2.6	2.0
	Rear	326	177													○								●	●																				2.6	2.0
		333	190																								●	○																	2.6	2.0
		335	197															○									○	●																	2.6	2.0
<b>TRACK</b>	Front	280	100																									●			●													2.6	2.0	
	Rear	336	120																									●				●												2.6	2.0	
<b>540 TANDEM</b>	Front	242	100	●																																									2.8	2.34
	Rear	477	135											●																															2.8	2.34
		510	145													●																													2.8	2.34

- = Standard
- = Convertible with included accessories
- = Option, sold separately

<sup>1)</sup> Predictive Steering for RS-1

<sup>2)</sup> Weight without CL adapter, Quick release or Thru axle

<sup>3)</sup> For Lefty 2.0 special Cannondale adapter is needed

\* Hubs with Sram XD Rotor -10g

# RWS PLUG IN

Model		Weight ± 5% [g]	Hub axle system										Axle material			Lever material	Additional dimensions			
RWS type			5/100 mm RWS / Quick release	9/100 mm DT Swiss Thru bolt	12/100 mm Thru axle	15/100 mm Thru axle	15/110 mm Thru axle PS <sup>1)</sup>	15/160 mm Thru axle	5/130 mm RWS / Quick release	5/135 mm RWS / Quick release	5/145 mm RWS / Quick release	10/135 mm DT Swiss Thru bolt	12/142 mm Thru axle	12/148 mm Thru axle	Titanium	Steel	Aluminum	Aluminum	Length incl. Thread	Thread length
<b>PLUG IN RWS E-THRU ROAD AND MTB</b>	RWS Plug In E-Thru Road 12/100 mm	58		●												●	●	121	13	12 x 1.5
	RWS Plug In E-Thru Road 12/100 mm, w/o lever	31		●												●	○	121	13	12 x 1.5
	RWS Plug In E-Thru Road 12/142 mm	67									●					●	●	163	13	12 x 1.5
<b>PLUG IN RWS THRU AXLE ROAD AND MTB</b>	RWS Plug In TA for DT Swiss 15 mm forks	71			●											●	●	143	15	15 x 1.5
	RWS Plug In TA for DT Swiss 15 mm forks, w/o lever	43			●											●	○	143	15	15 x 1.5
	RWS Plug In TA 12/142 mm	68									●					●	●	171	13	12 x 1.5
	RWS Plug In TA 12/142 mm	68									●					●	●	167.7	15	12 x 1
	RWS Plug In TA 12/142 mm, w/o lever	40									●					●	○	167.7	15	12 x 1
	RWS Plug In TA 12/142 mm for X-12	69									●					●	●	162.5	15	12 x 1
	RWS Plug In TA 12/142 mm for X-12, w/o lever	41									●					●	○	162.5	15	12 x 1
	RWS Plug In TA Boost	70										●				●	●	177	13	12 x 1.5
	RWS Plug In TA Boost for X-12	66										●				●	●	168.5	15	12 x 1
<b>PLUG IN RWS LEVER</b>	RWS Plug In Single aluminum Lever	28														●	●	—	—	—

● = Standard  
○ = Option, sold separately

<sup>1)</sup> Predictive Steering for RS-1

# RWS COLLECTION

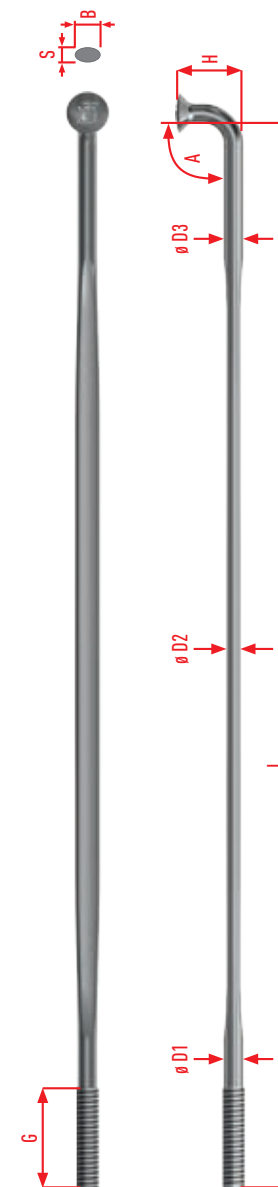
Model		Weight ± 5% [g]	Hub axle system									Axle material			Lever material		Additional dimensions				
RWS type			5/100 mm RWS / Quick release	9/100 mm DT Swiss Thru bolt	12/100 mm Thru axle	15/100 mm Thru axle	15/110 mm Thru axle PS <sup>1)</sup>	15/160 mm Thru axle	5/130 mm RWS / Quick release	5/135 mm RWS / Quick release	5/145 mm RWS / Quick release	10/135 mm DT Swiss Thru bolt	12/142 mm Thru axle	12/148 mm Thru axle	Titanium	Steel	Aluminum	Aluminum	Length incl. Thread	Thread length	Thread
<b>RWS THRU AXLE ROAD AND MTB</b>	RWS TA DT Swiss forks	72			●												●	●	143.1	15	15 x 1.5
	RWS TA Predictive Steering <sup>1)</sup>	73				●											●	●	148	10	15 x 1.5
	RWS TA Big Ride	84					●										●	●	198	11	15 x 1.5
	RWS TA for X-12	65										●					●	●	162.5	15	12 x 1
	RWS TA 12/142 mm	64										●					●	●	167.7	15	12 x 1
	RWS TA Boost	66											●				●	●	178	12	12 x 1.5
	RWS TA Boost	66											●				●	●	173.7	15	12 x 1
	RWS TA Boost for X-12	67											●				●	●	168.5	15	12 x 1
<b>RWS E-THRU + THRU BOLT ROAD AND MTB</b>	RWS E-Thru Road	54		●													●	●	121	13	12 x 1.5
		63										●					●	●	163	13	12 x 1.5
	RWS E-Thru	71										●					●	●	171	11.5	12 x 1.5
	RWS Thru bolt	58		●													●	●	–	–	–
	70										●					●	●	–	–	–	
<b>RWS STEEL ROAD, MTB AND TANDEM</b>	RWS steel	50	●													●	●	–	–	–	
		45						●								●	●	–	–	–	
		45							●							●	●	–	–	–	
		55								●						●	●	–	–	–	
<b>RWS TITAN ROAD AND MTB</b>	RWS titan	44	●											●			●	●	–	–	–
		45						●						●			●	●	–	–	–
		47							●					●			●	●	–	–	–

● = Standard

<sup>1)</sup> Predictive Steering for RS-1

# SPOKES COLLECTION

Model	Thread (DIN 79012)	Length	Shape	Head	Diameters	Bladed	Angle	Gauges	Color	E-bike
Product name	Weight <sup>1)</sup> ± 5% [g]	Range [mm] (L)	Double butted Triple butted Bladed	Height of head [mm] (H)	Diameter 1 [mm] (D1) Diameter 2 [mm] (D2) Diameter 3 [mm] (D3)	Width [mm] (B) Thickness [mm] (S)	90-95° (A)	Diameters	Silver Black White Red	Recommended for e-bike
DT CHAMPION®	359	140 – 315		6	1.8   1.8   1.8		●	15	●	
	444	140 – 315		6.2	2   2   2		●	14	● ●	
	591	140 – 315		7.8	2.34   2.34   2.34		●	13	● ●	●
DT CHAMPION® STRAIGHTPULL	440	140 – 315			2   2   2			14	● ●	●
DT COMPETITION®	311	238 – 300	●	6	1.8   1.6   1.8		●	15   16   15	●	
	382	238 – 300	●	6.2	2   1.8   2		●	14   15   14	● ● ● ●	●
DT COMPETITION® STRAIGHTPULL	378	238 – 307	●		2   1.8   2			14   15   14	● ●	●
DT COMPETITION® RACE	312	238 – 300	●	6.2	2   1.6   2		●	14   16   14	● ●	
DT COMPETITION® RACE STRAIGHTPULL	308	238 – 307	●		2   1.6   2			14   16   14	● ●	
DT SUPER COMP®	318	247 – 308	●	6.2	1.8   1.7   2		●		● ●	
DT REVOLUTION®	283	247 – 308	●	6.2	2   1.5   2		●	14   17   14	● ●	
DT ALPINE®	586	260 – 305	●	7.8	2   2.34   2.34		●	14   13	● ●	●
DT ALPINE III®	418	260 – 305	●	7.8	2   1.8   2.34		●	14   15   13	● ●	●
DT AEROLITE®	278	238 – 300	● ●	6.2	2   2   2.3	0.9	●		● ● ● ●	
DT AEROLITE® STRAIGHTPULL	274	238 – 307	● ●		2   2   2.3	0.9			● ●	
DT AERO SPEED®	355	215 – 305	●	6	1.8   1.8   2.3	1.2	●		● ●	
DT NEW AERO®	437	215 – 305	●	6.2	2   2   3.3	1.1	●		● ●	
DT AERO COMP®	380	238 – 300	● ●	6.2	2   2   2.3	1.2	●		● ●	●
DT AERO COMP® STRAIGHTPULL	376	238 – 307	● ●		2   2   2.3	1.2			● ●	●



● = Standard  
<sup>1)</sup> Weight for 64 spokes, length 264 mm [g]

# NIPPLES COLLECTION

Model	Thread (DIN 79012)			Length	Thread coating	Color										E-bike							
	Product name	Weight <sup>1)</sup> ±5% [g]	1.8 mm   FG 2.0			2.0 mm   FG 2.3	2.34 mm   FG 2.6	12 mm	14 mm	14.5 mm	15 mm	16 mm	DT Swiss Pro Lock®	Without DT Swiss Pro Lock®	Silver		Black	Grey	Gold	Green	Blue	Turquoise	Violet
DT (PRO LOCK®) SQUORX PRO HEAD® ALUMINUM	27	●							●	●	●	●										●	
	26		●						●	●	●	●	●									●	
DT (PRO LOCK®) SQUORX PRO HEAD® BRASS	79		●						●	●	●	●											●
DT (PRO LOCK®) PRO HEAD® BRASS	61	●		●					●	●	●	●											
	70	●			●				●	●	●	●											
	59		●		●				●	●	●	●											●
	68		●		●				●	●	●	●											●
	74		●		●				●	●	●	●											●
DT (PRO LOCK®) DOUBLE SQUARE ALUMINUM	27	●						●	●	●	●												
	26		●					●	●	●	●												
DT (PRO LOCK®) DOUBLE SQUARE BRASS	86	●						●	●	●	●												
	83		●					●	●	●	●												
DT (PRO LOCK®) HIDDEN ALUMINUM	22		●					●	●	●													
DT (PRO LOCK®) STANDARD ALUMINUM	21	●		●					●	●	●	●				●*	●*	●*	●*	●*	●*	●*	
	24	●			●				●	●	●	●											
	27	●						●	●	●	●	●											
	20		●		●				●	●	●	●				●*	●*	●*	●*	●*	●*	●*	
	23		●		●				●	●	●	●											
	26		●					●	●	●	●	●											
DT (PRO LOCK®) STANDARD BRASS	64	●		●					●	●	●	●											
	73	●			●				●	●	●	●											
	84	●						●	●	●	●	●											
	62		●		●				●	●	●	●											●
	71		●		●				●	●	●	●											●
	82		●					●	●	●	●	●											●
	56			●	●				●	●	●	●											●
	112			●		●			●	●	●	●											●

● = Standard

<sup>1)</sup> Weight for 64 nipples

\* Only without DT Pro Lock®

# END CAP SOLUTION ROAD FRONT

Endcap Solution			Convertible Road wheels						Convertible Road hubs				
		Kit Art. No.	1100 DICUT® db	1400 DICUT® db	1600 DICUT® db	1400 SPLINE® db	1600 SPLINE® db	1800 SPLINE® db	180 Classic Road db Center Lock black hub	240s straightpull Road db Center Lock	240s Classic Road db CenterLock	350 straightpull Road db Center Lock	350 Classic Road db CenterLock
Convert into 5 mm Quick release	5 / 100 mm Road disc brake (17 mm)	HWGXXX00S6318S	●		●				●				
	5 / 100 mm Road disc brake (17 mm) Aero	HWGXXX0004774S	●										
	5 / 100 mm Road disc brake (240s)	HWGXXX0002328S								●	●		
	5 / 100 mm Road disc brake (350 / 370)	HWGXXX00S3801S			●		●	●				○	○
Convert into 9 mm Thru bolt	9 / 100 mm Road disc brake (17 mm)	HWGXXX00S7567S		○		○			○				
	9 / 100 mm Road disc brake (240s 18 mm)	HWGXXX0002326S								○	○		
	9 / 100 mm Road disc brake (350 / 370)	HWGXXX00S3803S			○							○	○
Convert into 12 mm Thru axle	12 / 100 mm Road disc brake (17 mm)	HWGXXX00S7564S	●			●			●				
	12 / 100 mm Road disc brake (240s)	HWGXXX00S7000S								●	●		
	12 / 100 mm Road disc brake (350 / 370)	HWGXXX00S6885S			●		●	●				○	○
Convert into 15 mm Thru axle	15 / 100 mm Road disc brake (17 mm)	HWGXXX00S6283S	●			●			●				
	15 / 100 mm Road disc brake (18 mm)	HWGXXX00S4468S								●	●		
	15 / 100 mm Road disc brake (350 / 370)	HWGXXX0004785S			●		●	●				●	●

- = Standard
- ◐ = Convertible with included accessories
- = Option, sold separately

This information is valid for MY 2018. Information from previous modelyears please find on our workbook / techbook at [www.dtswiss.com](http://www.dtswiss.com)

# END CAP SOLUTION ROAD REAR

Endcap Solution			Convertible Road wheels						Convertible Road hubs				
		Kit Art. No.	1100 DICUT® db	1400 DICUT® db	1600 DICUT® db	1400 SPLINE® db	1600 SPLINE® db	1800 SPLINE® db	180 Classic Road db Center Lock black hub	240s straightpull Road db Center Lock	240s Classic Road db CenterLock	350 straightpull Road db Center Lock	350 Classic Road db CenterLock
Convert into 5 mm Quick release	5 / 135 mm for 3-Pawl Shimano Road Rotor	HWGXXX0006383S						●					
	5 / 135 mm for Ratchet Shimano Road Rotor	HWGXXX0002777S							●		●		○
	5 / 135 mm for Ratchet Shimano Road Rotor	HWGXXX0006383S	●	●	●	●	●			●		○	
Convert into 10 mm Thru bolt	10 / 135 mm for 3-Pawl Shimano Road Rotor	HWGXXX0006560S						○					
	10 / 135 mm for Ratchet Shimano Road Rotor	HWGXXX0004634S							○		○		○
	10 / 135 mm for Ratchet Shimano Road Rotor	HWGXXX0006560S	○	○	○	○	○			○		○	
Convert into 12 mm Thru axle	12 / 135 mm for 3-Pawl Shimano Road Rotor	HWGXXX0007569S						○					
	12 / 135 mm for Ratchet Shimano Road Rotor	HWGXXX0003910S							○		○		○
	12 / 135 mm for Ratchet Shimano Road Rotor	HWGXXX0007569S	○	○	○	○	○			○		○	
	12 / 142 mm for 3-Pawl Shimano Road Rotor	HWGXXX0006333S						●					
	12 / 142 mm for Ratchet Shimano Road Rotor	HWGXXX0003525S							●		●		●
	12 / 142 mm for Ratchet Shimano Road Rotor	HWGXXX0006333S	●	●	●	●	●			●		●	

- = Standard
- ◐ = Convertible with included accessories
- = Option, sold separately

This information is valid for MY 2018. Information from previous modelyears please find on our workbook / techbook at [www.dtswiss.com](http://www.dtswiss.com)



# END CAP SOLUTION MTB FRONT

Endcap Solution			Convertible MTB wheels										Convertible MTB hubs															
		Kit Art. No.	XRC 1200 SPLINE® (27.5, 29) 1)	XR 1601 SPLINE® ONE (26, 27.5, 29) 1)	X 1700 SPLINE® TWO (27.5, 29) 1)	X 1900 SPLINE® (27.5, 29)	XMC 1200 SPLINE® (27.5, 29) 1)	XM 1601 SPLINE® ONE (26, 27.5, 29) 1)	M 1700 SPLINE® TWO (27.5, 29) 1)	M 1900 SPLINE® (27.5, 29)	EX 1601 SPLINE® ONE (26, 27.5, 29)	E 1700 SPLINE® TWO (27.5, 29)	E 1900 SPLINE® (27.5, 29)	FR 1950 CLASSIC (27.5)	180 Classic MTB db Center Lock black hub	240s straightpull MTB db Center Lock	240s straightpull MTB db IS 1)	240s straightpull MTB db IS oversize 1)	240s Classic MTB db Center Lock fifteen	240s Classic MTB db IS	240s Classic MTB db IS oversize	350 straightpull MTB db Center Lock	350 straightpull MTB db IS	350 Classic MTB db Center Lock (15 mm)	350 Classic MTB db IS (15mm)	350 Classic MTB db Center Lock (5 mm)	350 Classic MTB db IS (5 mm)	
Convert into 5 mm Quick release	5 / 100 mm MTB disc brake	not available																										
	5 / 100 mm MTB disc brake Center Lock (17 mm)	HWGXXX00S6318S	○	○				○			○				●													
	5 / 100 mm MTB disc brake fifteen	HWGXXX0002328S														●	●		○									
	5 / 100 mm MTB oversize	HWYXXX00S2479S													○			○										
	5 / 100 mm MTB (350 / 370)	HWGXXX00S3801S			○	●			○	●		○	●										○	○	○	○	○	●
Convert into 9 mm Thru bolt	9 / 100 mm MTB disc brake	HWGXXX0001919S																			○							
	9 / 100 mm MTB disc brake (17 mm)	HWGXXX00S7567S	○	○				○			○				○													
	9 / 100 mm MTB fifteen	HWGXXX0002326S														○	○		○									
	9 / 100 mm MTB oversize	HWGXXX0002478S													○			○				○						
	9 / 100 mm MTB (350 / 370)	HWGXXX00S3803S			○	○			○	○		○	○										○	○	○	○		
Convert into 15 mm Thru axle	15 / 100 mm Road disc brake (350 / 370)	HWGXXX0004785S																				●	●	●	●			
	15 / 100 mm MTB fifteen	HWGXXX00S4468S														●	●		●									
	15 / 100 mm MTB disc brake (17 mm)	HWGXXX00S6283S	●	●				●			●				●													
	15 / 100 mm MTB oversize	HWGXXX00S4470S													○			○				●						
	15 / 100 mm MTB disc brake (350 / 370)	HWGXXX0004785S			●	●			●	●		●	●															
Convert into 20 mm Thru axle	20 / 110 mm MTB oversize (240s)	HWYXXX00S2480S												●			●				●							

- = Standard
- = Convertible with included accessories
- = Option, sold separately

1) Except 15 / 110 mm TA PS

This information is valid for MY 2018. Information from previous modelyears please find on our workbook / techbook at [www.dtswiss.com](http://www.dtswiss.com)

# END CAP SOLUTION MTB REAR

Endcap Solution		Convertible MTB wheels										Convertible MTB hubs																	
	Kit Art. No.	XRC 1200 SPLINE® (27.5, 29)	XR 1501 SPLINE® ONE (26, 27.5, 29)	X 1700 SPLINE® TWO (27.5, 29)	X 1900 SPLINE® (27.5, 29)	XMC 1200 SPLINE® (27.5, 29)	XM 1501 SPLINE® ONE (26, 27.5, 29)	M 1700 SPLINE® TWO (27.5, 29)	M 1900 SPLINE® (27.5, 29)	EX 1501 SPLINE® ONE (26, 27.5, 29)	E 1700 SPLINE® TWO (27.5, 29)	E 1900 SPLINE® (27.5, 29)	FR 1950 CLASSIC (27.5, except 150 mm)	FR 1950 CLASSIC (27.5, 150 mm only)	BR 2250 CLASSIC (26)	180 Classic MTB db Center Lock	240s straightpull MTB db Center Lock	240s straightpull MTB db IS	240s Classic MTB db Center Lock	240s Classic MTB db IS	350 straightpull MTB db Center Lock	350 straightpull MTB db IS	350 Classic MTB db Center Lock Big Ride	350 Classic MTB db IS Big Ride	350 Classic MTB db Center Lock	350 Classic MTB db IS			
Convert into 5 mm Quick release	5 / 135 mm for 3-Pawl Shimano Rotor	HWGXXX0001528S			●				●		●																		
	5 / 135 mm for 3-Pawl Sram XD MTB Rotor	HWGXXX00S3115S			○				○		○																		
	5 / 135 mm for Ratchet Shimano Rotor	HWGXXX0001528S	○	●	●	○	●	●	○	●	●	○				●	●	●	●	●	●	●			●	●			
	5 / 135 mm for Ratchet Sram XD MTB Rotor	HWGXXX00S3115S	○	○	○	○	○	○	○	○	○	○				○	○	○	○	○	○	○			○	○			
	5 / 190 mm Big Ride for Ratchet Shimano Rotor	HWGXXX0001528S													○									○	○				
	5 / 190 mm Big Ride for Ratchet Sram XD MTB Rotor	HWGXXX00S3115S													○									○	○				
Convert into 10 mm Thru bolt	10 / 135 mm for 3-Pawl Shimano Rotor	HWGXXX0001803S			○				○		○																		
	10 / 135 mm for 3-Pawl Sram XD MTB Rotor	HWGXXX00S3218S			○				○		○																		
	10 / 135 mm for Ratchet Shimano Rotor	HWGXXX0001803S	○	○	○	○	○	○	○	○	○	○	○			○	○	○	○	○	○	○			○	○			
	10 / 135 mm for Ratchet Sram XD MTB Rotor	HWGXXX00S3218S	○	○	○	○	○	○	○	○	○	○	○			○	○	○	○	○	○	○			○	○			
Convert into 12 mm Thru axle	12 / 135 mm for 3-Pawl Shimano Rotor	HWGXXX0002218S			○				○		○																		
	12 / 135 mm for 3-Pawl Sram XD MTB Rotor	HWGXXX00S3382S			○				○		○																		
	12 / 135 mm for Ratchet Shimano Rotor	HWGXXX0002218S	○	○	○	○	○	○	○	○	○	○	○			○	○	○	○	○	○	○			○	○			
	12 / 135 mm for Ratchet Sram XD MTB Rotor	HWGXXX00S3382S	○	○	○	○	○	○	○	○	○	○	○			○	○	○	○	○	○	○			○	○			
	12 / 142 mm for 3-Pawl Shimano Rotor	HWGXXX0002193C			●				●		●																		
	12 / 142 mm for 3-Pawl Sram XD MTB Rotor	HWGXXX00S3188S			○				○		○																		
	12 / 142 mm for Ratchet Shimano Rotor	HWGXXX0002193C	●	●	●	●	●	●	●	●	●	●	●			●	●	●	●	●	○	●	○			○	○		
	12 / 142 mm for Ratchet Sram XD MTB Rotor	HWGXXX00S3188S	●	○	○	●	○	○	○	○	○	○	○	○		●	●	●	●	○	●	○			○	○			
	12 / 150 mm for Ratchet Shimano Rotor	HWGXXX0002218S												●															
	12 / 150 mm for Ratchet Sram XD MTB Rotor	HWGXXX00S3382S												○															
	12 / 157 mm for Ratchet Shimano Rotor	HWGXXX0002193C												○															
	12 / 157 mm for Ratchet Sram XD MTB Rotor	HWGXXX00S3188S												○															
	12 / 190 mm for Ratchet Shimano Rotor	HWGXXX0002218S													○									●					
	12 / 190 mm for Ratchet Sram XD MTB Rotor	HWGXXX00S3382S													○									○					
	12 / 197 mm for Ratchet Shimano Rotor	HWGXXX0002193C													●									●					
12 / 197 mm for Ratchet Sram XD MTB Rotor	HWGXXX00S3188S													○									○						

- = Standard
- = Convertible with included accessories
- = Option, sold separately

This information is valid for MY 2018. Information from previous modelyears please find on our workbook / techbook at [www.dtswiss.com](http://www.dtswiss.com)

# ROTOR KITS ROAD

Model	Art. No.	Included		Convertible wheels							Convertible hubs						
		Rotor and end cap right	Rotor and end cap left and right	1100 DICUT®	1100 DICUT® db	1400 DICUT® and 1400 SPLINE®	1400 DICUT® and 1400 SPLINE® db	1600 DICUT® and 1600 SPLINE®	1600 DICUT® and 1600 SPLINE® db	1800 SPLINE®	1800 SPLINE® db	180 / 240 / 350 Road non disc	180 Road db Center Lock	240s straightpull Road db Center Lock	240s Road db Center Lock	350 straightpull Road db Center Lock	350 Road db Center Lock
Convert into Shimano 11 speed; Ratchet	5 / 130 mm	HWYABX00S2775S	●	○	●	●					●						
	5 / 130 mm (SL rotor)	HWYABX00S3184S	●	●	○	○					○						
	5 / 135 mm	HWYABX00S2775S	●									○	○			○	
	5 / 135 mm	HWRABX00S2775S + HWGXX0006383S		●	○	○	○						○	○		○	
	10 / 135 mm	HWRABX00S2775S + HWGXX0004634S		●								○		○		○	
	10 / 135 mm	HWRABX00S2775S + HWGXX0006560S		●	○	○	○						○	○		○	
	12 / 135 mm	HWRABX00S2775S + HWGXX0003910S		●								○	○			○	
	12 / 135 mm	HWRABX00S2775S + HWGXX0007569S		●	○	○	○						○	○		○	
	12 / 142 mm	HWRABX00S2775S + HWGXX0003525S		●								●	●			●	
12 / 142 mm	HWRABX00S2775S + HWGXX0006333S		●	●	●	●						●	●		●		
Convert into Shimano 11 speed; 3 pawl	5 / 130 mm	HWYABM00S6151S	●						●								
	5 / 135 mm	HWYABM00S6151S	●							○							
	10 / 135 mm	HWRABM00S4188S + HWGXX0006560S	●							○							
	12 / 135 mm	HWRABM00S4188S + HWGXX0007569S	●							○							
	12 / 142 mm	HWYABM00S6152S	●							●							
Convert into Campagnolo 10 / 11 speed; Ratchet	5 / 130 mm	HWYABX00S1296S	●		○	○	○				○						
	12 / 142 mm	HWYABX00S7154S	●		○	○	○										
Convert into Campagnolo 10 / 11 speed; 3 pawl	5 / 130 mm	HWYABM00S6234S	●						○								
	12 / 142 mm	HWYABM00S7153S	●							○							

● = Standard  
○ = Option, sold separately

Informations are valid for MY 2018.  
For previous years please look on our techbook from previous years on [www.dtswiss.com](http://www.dtswiss.com)

# ROTOR KITS MTB

Model		Included		Convertible wheels												Convertible hubs																
	Art. No.	Freehub body	End cap right	XRC 1200 SPLINE®	XMC 1200 SPLINE®	XR 1501 SPLINE® ONE	XM 1501 SPLINE® ONE	EX 1501 SPLINE® ONE	X 1700 SPLINE® TWO	M 1700 SPLINE® TWO	E 1700 SPLINE® TWO	X 1900 SPLINE®	M 1900 SPLINE®	E 1900 SPLINE®	FR 1950 CLASSIC (except 150 mm)	FR 1950 CLASSIC (150 mm only)	BR 2250 CLASSIC	180 Classic Center Lock	240s straightpull Center Lock	240s straightpull IS (6-bolt)	240s Classic Center Lock	240s Classic db IS (6-bolt)	350 straightpull Center Lock	350 straightpull IS (6-bolt)	350 Classic Center Lock	350 Classic Center Lock Big Ride	350 Classic IS (6-bolt) Big Ride	350 Classic db IS (6-bolt)				
Convert into Sram XD 11 / 12; Ratchet	5 / 135 mm	HWYAA00S3115S	●	●	○	○	○	○	○	○	○				○			○	○	○	○	○	○	○	○	○	○	○	○	○		
	10 / 135 mm	HWYAA00S3218S	●	●	○	○	○	○	○	○	○				○			○	○	○	○	○	○	○	○	○	○	○	○	○		
	12 / 135 mm	HWYAA00S3382S	●	●	○	○	○	○	○	○	○				○			○	○	○	○	○	○	○	○	○	○	○	○	○	○	
	12 / 142 mm	HWYAA00S3188S	●	●	●	●	●	●	●	●	●				●			●	●	●	●	●	●	●	●	●	●	●	●	●	●	
	12 / 148 mm	HWYAA00S3188S	●	●	●	●	●	●	●	●	●				●				●	●	●	●	●	●	●	●	●	●	●	●	●	
	12 / 150 mm	HWYAA00S3382S	●	●												●															○	
	12 / 177 mm	HWYAA00S3188S	●	●																							○	○				
	12 / 190 mm	HWYAA00S3382S	●	●														●									○	○				
12 / 197 mm	HWYAA00S3188S	●	●														●									○	○					
Convert into Sram XD 11 / 12; 3 pawl	5 / 135 mm	HWYAA00S3906S	●	●								○	○	○																		
	10 / 135 mm	HWYAA00S3907S	●	●								○	○	○																		
	12 / 135 mm	HWYAA00S3908S	●	●								○	○	○																		
	12 / 142 mm	HWYAA00S3909S	●	●								●	●	●																		
	12 / 148 mm	HWYAA00S3909S	●	●								●	●	●	●																	
	12 / 150 mm	HWYAA00S3908S	●	●								●	●	●	●																	

- = Standard
- ◐ = Convertible with included accessories
- = Option, sold separately

More information find on:  
[www.dtswiss.com](http://www.dtswiss.com)

# ROTOR KITS MTB

Model			Included		Convertible wheels											Convertible hubs																		
		Art. No.	Freehub body	End cap right	XRC 1200 SPLINE®	XMC 1200 SPLINE®	XR 1501 SPLINE® ONE	XM 1501 SPLINE® ONE	EX 1501 SPLINE® ONE	X 1700 SPLINE® TWO	M 1700 SPLINE® TWO	E 1700 SPLINE® TWO	X 1900 SPLINE®	M 1900 SPLINE®	E 1900 SPLINE®	FR 1950 CLASSIC (except 150 mm)	FR 1950 CLASSIC (150 mm only)	BR 2250 CLASSIC	180 Classic Center Lock	240s straightpull Center Lock	240s straightpull IS (6-bolt)	240s Classic Center Lock	240s Classic db IS (6-bolt)	350 straightpull Center Lock	350 straightpull IS (6-bolt)	350 Classic Center Lock	350 Classic Center Lock Big Ride	350 Classic db IS (6-bolt)						
Convert into Shimano MTB 9 / 10 / 11; Ratchet	5 / 135 mm	HWYABX00S1239S	●	●	○	○	○	○	○	○	○	○				○			○	○	○	○	○	○	○	○	○	○	○	○				
	10 / 135 mm	HWYABX00S0897S	●	●	○	○	○	○	○	○	○	○				○			○	○	○	○	○	○	○	○	○	○	○	○				
	12 / 135 mm	HWYABX00S3746S	●	●	○	○	○	○	○	○	○	○				○			○	○	○	○	○	○	○	○	○	○	○	○	○			
	12 / 142 mm	HWYABX00S3745S	●	●	●	●	●	●	●	●	●	●				●			○	○	○	○	○	○	○	○	○	○	○	○	○			
	12 / 148 mm	HWYABX00S3745S	●	●	●	●	●	●	●	●	●	●				●																○		
	12 / 150 mm	HWYABX00S3746S	●	●													●					○										○		
	12 / 177 mm	HWYABX00S3745S	●	●																												○		
	12 / 190 mm	HWYABX00S3746S	●	●																												○		
12 / 197 mm	HWYABX00S3745S	●	●																												○			
Convert into Shimano MTB 9 / 10 / 11; 3 pawl	5 / 135 mm	HWYABM00S6147S	●	●									○	○	○																			
	10 / 135 mm	HWYABM00S6148S	●	●									○	○	○																			
	12 / 135 mm	HWYABM00S6149S	●	●									○	○	○																			
	12 / 142 mm	HWYABM00S6150S	●	●									●	●	●																			
	12 / 148 mm	HWYABM00S6150S	●	●									●	●	●	●																		
12 / 150 mm	HWYABM00S6149S	●	●									○	○	○																				

● = Standard  
○ = Option, sold separately

More information find on:  
[www.dtswiss.com](http://www.dtswiss.com)

# ROTOR KITS HYBRID

Model	Art. No.	Included		Convertible wheels				Convertible hubs	
		Freehub body	End cap right	HXC 1200 SPLINE®	HX 1501 SPLINE® ONE	H 1700 SPLINE® TWO	H 1900 SPLINE®	240s Classic HYBRID db IS (6-bolt)	350 Classic HYBRID db IS (6-bolt)
Convert into Sram XD 11 / 12; Ratchet; 12 / 148 mm TA	HWYABX00S5572S	●		○	○	○		○	○
Convert into Sram XD 11 / 12; 3 pawl; 12 / 148 mm TA	HWYABM00S5571S	●					○		
Convert into Shimano 11 speed; Ratchet; 12 / 148 mm TA	HWYABX00S5569S	●		●	●	●		●	●
Convert into Shimano 11 speed; 3 pawl; 12 / 148 mm TA	HWYABM00S5573S	●					●		

- = Standard
- = Convertible  
with included accessories

More information find on:  
[www.dtswiss.com](http://www.dtswiss.com)