

**Serie | 4, Built-in microwave oven,  
Stainless steel  
BEL523MS0B**



**The built-in microwave for the 38 cm niche:  
use it for thawing, heating and perfect  
preparation of foods.**

- **Red LED display control:** easy-to-use thanks to clear time display.
- **Pop-out controls:** for an easy to clean front.

**Technical Data**

Type of micro-wave oven :	MW+Grill function
Type of control :	Electronic
Color / Material Front :	Stainless steel
Dimensions of the product (mm) :	382 x 594 x 317
Cavity dimensions (mm) :	201.0 x 308.0 x 282.0
Length of electrical supply cord (cm) :	130
Net weight (kg) :	16.911
Gross weight (kg) :	19.0
EAN code :	4242005038824
Maximum micro-wave power (W) :	800
Connection rating (W) :	1270
Current (A) :	10
Voltage (V) :	230-240
Frequency (Hz) :	50
Plug type :	GB plug



**Included accessories**

- 1 x grid
- 1 x Turntable

## **Serie | 4, Built-in microwave oven, Stainless steel BEL523MS0B**

**The built-in microwave for the 38 cm niche:  
use it for thawing, heating and perfect  
preparation of foods.**

---

### **Design**

- LED Display, red display
- Side opening door, left hinged
- 25.5 cm Glass turntable
- Cavity inner surface: Stainless steel
- Electronic clock timer
- Rotary dial, Retractable control dials, Touch controls, round, Start button
- Touch key operation

### **Features**

- Automatic safety switch off Door contact switch
- AutoPilot, 8
- LED light
- Integral cooling fan
- Microwave and grill for separate use
- Electronic open button

### **Programmes/functions**

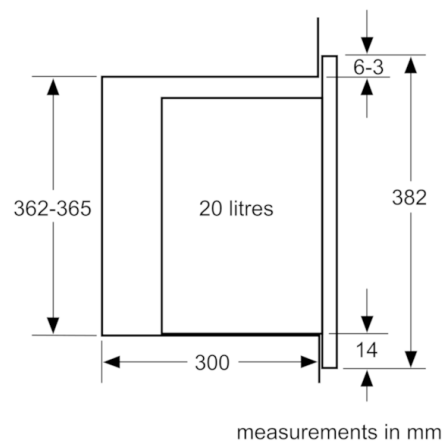
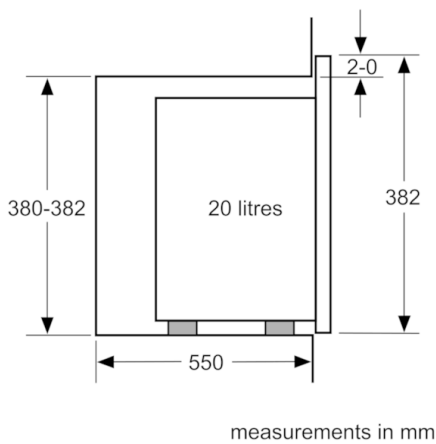
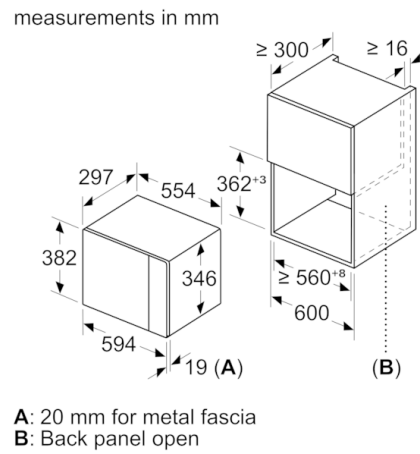
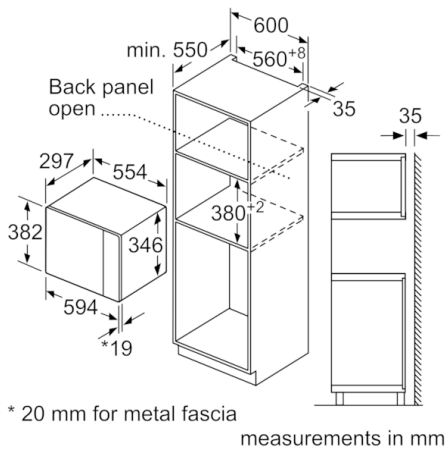
- Grill and microwave power levels 90 W, 180 W, 360 W combinable
- Maximum microwave power level: 800 W and the following options 180 W, 360 W, 600 W, 800 W, 90 W
- 1 KW grill function
- 4 defrost and 3 cooking programmes in microwave function, 1 programmes for combination function
- 1 memory setting
- 1 x Turntable, 1 x grid

### **Accessories**

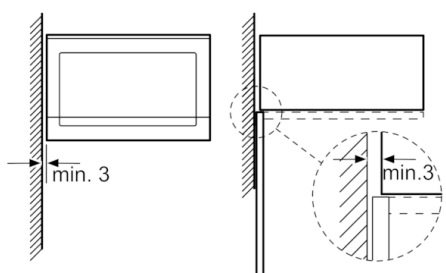
#### **Performance/technical information**

- Cavity volume: 20 l
- 130 cm Cable length
- Total connected load electric: 1.27 KW
- Nominal voltage: 230 - 240 V
- Appliance dimension (hxwxd): 382 mm x 594 mm x 317 mm
- Niche dimension (hxwxd): 362 mm - 365 mm x 560 mm - 568 mm x 300 mm
- For installation into a 60 cm wide wall unit, installation in tall housing
- Please refer to the dimensions provided in the installation manual

**Serie | 4, Built-in microwave oven, Stainless steel**  
**BEL523MS0B**



Microwave,  
 corner installation



Measurements in mm