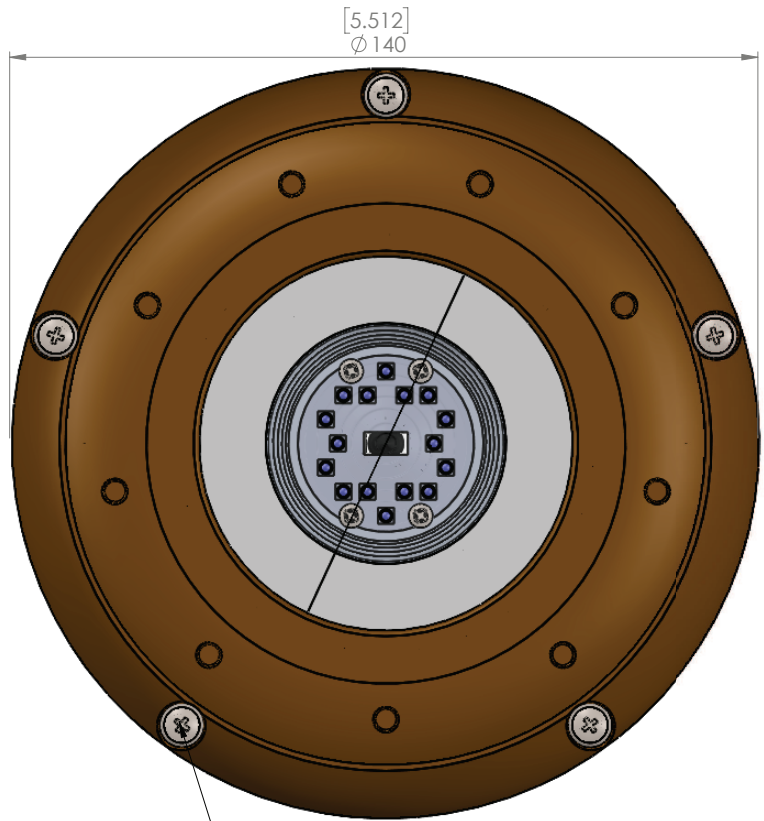
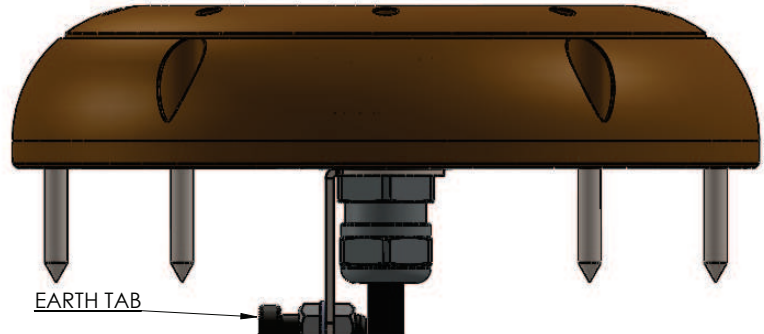


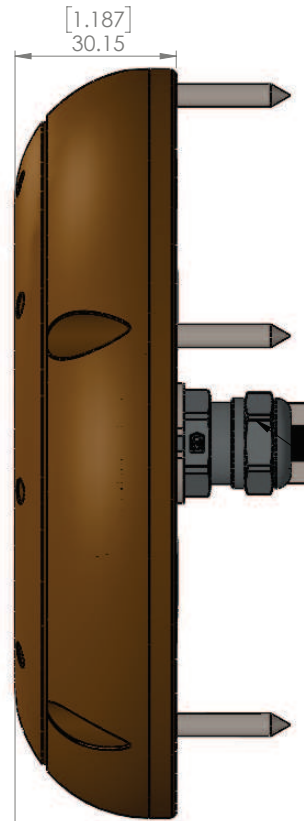
A B C D E F G H I J K



MOUNTING HOLES 130mm PCD
MOUNTING SCREWS No. 6x25mm



EARTH TAB



[2.624]
66.65

[0.787]
20
MINIMUM
HOLE DIAMETER

SEALANT TRACK

SPECIFICATIONS

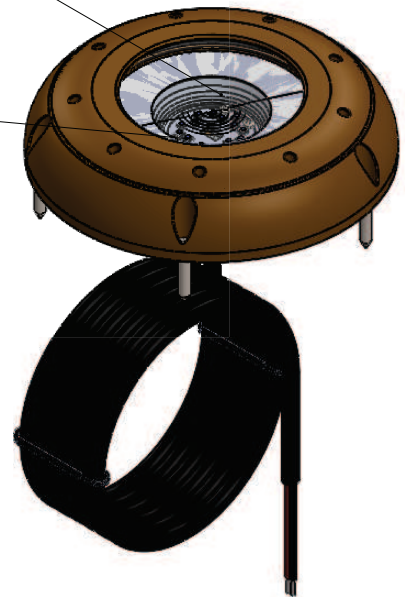
	HAMMERHEAD H16	HAMMERHEAD H20
LUMENS	6600	12500
WATTAGE	90	122
No. LEDs	16	20
I @ 12V	7.5	N/A
I @ 24V	3.8	5.1
BEAM ANGLE	65 DEG FWHM	65 DEG FWHM
LIGHT DIA	140mm, 5.5"	140mm, 5.5"
LIGHT HEAD HEIGHT	30.15mm, 1.187"	30.15mm, 1.187"
LIGHT OVERALL LENGTH	66.65mm, 2.62"	66.65mm, 2.62"
INC EARTH TAB		
MOUNTING HOLES PCD	130mm, 5.12"	130mm, 5.12"
HULL CUTOUT DIA	25mm, 1"	25mm, 1"
LIGHT APERTURE	70mm, 2.76"	70mm, 2.6"
WEIGHT	2.3KG	2.3KG
LENS	8mm BOROSILICATE WITH ANTI-STICK COATING	8mm BOROSILICATE WITH ANTI-STICK COATING

EARTH TAB

60° BEAM ANGLE

IP68 CABLE GLAND

LENS: 8mm BOROSILICATE WITH ANTI STICK COATING



THIRD ANGLE PROJECTION
Sheet 1 of 4
Scale 1:1
A3

Iss	Rev	Status	Date	Change	Drawn	Chk'd	App'v'd	Notes
J00	A	REL	03/01/2017		DWL	DWL	DWL	

ALL DIMENSIONS ARE IN MILLIMETERS
TOLERANCES ON CASTINGS, UNMACHINED PARTS AND FABRICATIONS, +/- 0.8
TOLERANCES ON MACHINED DIMENSIONS
WHOLE UNITS +/- 0.25
ONE DEC. PLACE +/- 0.1
TWO DEC. PLACE +/- 0.05
ANGLES +/- 0.5 DEG.
ALL UNSPECIFIED CHAMFERS 1 x 45
BREAK ALL SHARP EDGES 0.1 TO 0.5

Description.	HAMMERHEAD H16 & H20		
Material.			
Finish.			
DWG No.	Iss.	Rev.	Status.
GAA-0102 Iss J00A	J00	A	RELEASED



© 2014 COASTLINE LED THIS DOCUMENT MUST NOT BE REPRODUCED IN WHOLE OR IN PART AND MUST NOT BE USED OR DISCLOSED WITHOUT THE WRITTEN AUTHORISATION OF COASTLINE LED. NO DEVIATION FROM THIS DRAWING IS PERMISSIBLE WITHOUT WRITTEN AUTHORISATION FROM COASTLINE LED.

PPN.