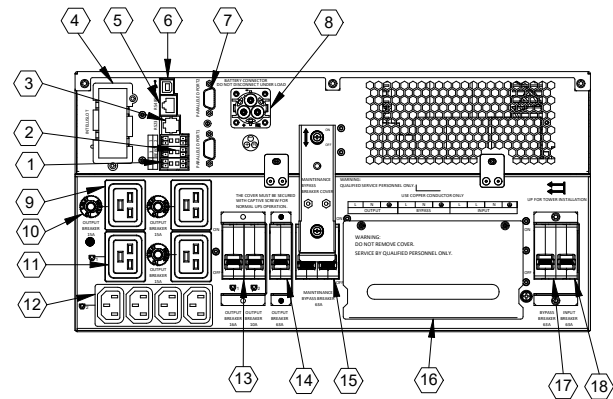
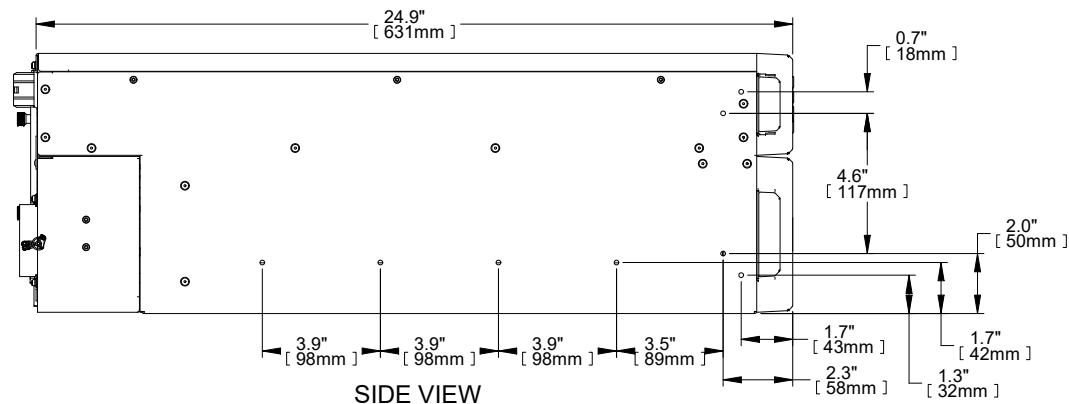


FRONT VIEW



REAR VIEW



SIDE VIEW

- ① TERMINAL BLOCK COMMUNICATION
- ② REPO (REMOTE EMERGENCY POWER OFF)
- ③ RS232
- ④ LIEBERT INTELLISLOT PORT
- ⑤ RS485
- ⑥ USB PORT
- ⑦ (2) DB9 PORTS (PARALLEL COMMUNICATION)
- ⑧ EXTERNAL BATTERY CONNECTOR
- ⑨ (3) C19 OUTPUT RECEPTACLES
- ⑩ (3) OUTPUT CIRCUIT BREAKERS FOR NON-PROGRAMMABLE C19 RECEPTACLES
- ⑪ PROGRAMMABLE C19 OUTPUT RECEPTACLE
- ⑫ (4) PROGRAMMABLE C13 OUTPUT RECEPTACLES
- ⑬ (2) OUTPUT CIRCUIT BREAKERS FOR PROGRAMMABLE RECEPTACLES
- ⑭ OUTPUT CIRCUIT BREAKER FOR HARDWIRED AND NON-PROGRAMMABLE OUTLETS
- ⑮ MAINTENANCE BYPASS BREAKER
- ⑯ HARDWIRED POWER INPUT AND OUTPUT CONNECTIONS
- ⑰ BYPASS CIRCUIT BREAKER
- ⑱ INPUT CIRCUIT BREAKER

NOTES:

1. UNIT DIMENSIONS (WxDxH): 430mm x 631mm x 217mm (5U)  
(16.9") x (24.9") x (8.5")
2. UNIT WEIGHT: 70.0kg (154.3lbs)
3. SHIPPING DIMENSIONS (WxDxH): 646mm x 816mm x 520mm  
(25.4") x (32.1") x (20.5")
4. SHIPPING WEIGHT: 94.0kg (207.2lbs)
5. MINIMUM AIRFLOW CLEARANCE IS 4.0" (100mm) FRONT AND REAR.

DRAWN BY B. LAY	SHEET NO. 1 OF 1
CHK BY L. JOHNSON	ECN NO.
REF. DWG.	ORDER NO.

OUTLINE DRAWING  
GXT5 8/10kVA  
230VAC RACK/TOWER UPS

DWG. NO. GXT5-8K 10KI OD	DATE 11/6/19	REV. # 1	1050 DEARBORN DRIVE P.O. BOX 29186 COLUMBUS, OHIO 43229
-----------------------------	-----------------	-------------	---

